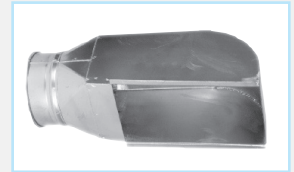


Radial Arm Saw Hood

Ordering Information

- When ordering, specify material and size.
- Used to collect dust from Radial Arm Saws.
- Body is 18 gauge. Collar is 22 gauge.



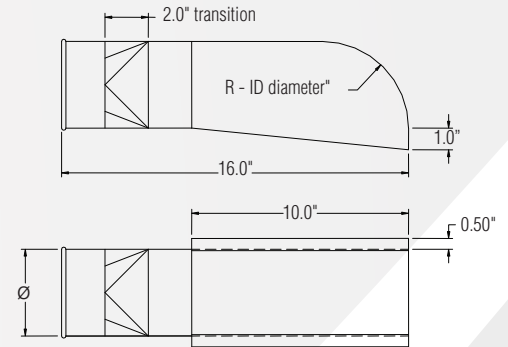
Ø in.	L in.	Std Weight Lbs
4	15.5	3.50
5	20	3.90
6	29	4.20

QF Material Options

Galv				SS			
Gauges		Size (in)		Gauges		Size (in)	
		Min. Ø	Max. Ø			Min. Ø	Max. Ø
Standard	Collar 20	4	6	Standard	Collar 20	4	6
	Body 18				Body 18		

Flanged Material Options

Galv				SS			
Gauges		Size (in)		Gauges		Size (in)	
		Min. Ø	Max. Ø			Min. Ø	Max. Ø
Standard	Collar 20	4	6	Standard	Collar 20	4	6
	Body 18				Body 18		



Construction:

Seam: spot welded and caulked.

Collars: have a laser welded longitudinal seam. Collars are attached to the body using a raised hemmed, spot welded seamed construction and are painted at welds.

Optional End Styles

Standard QF end can be changed to Raw ID (RI), Raw OD (RO), No Fitting (NF), Flat Flange (FFL), Angle Flange (AFL), or Van Stone (VS).