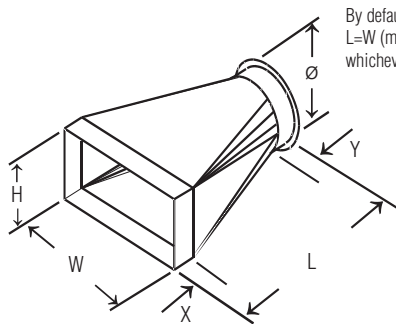
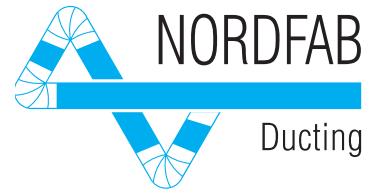
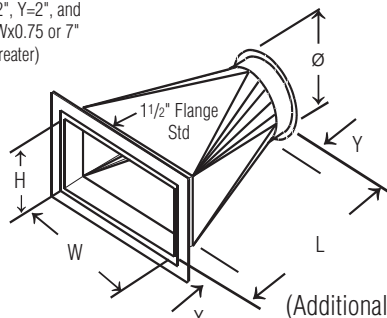


Nordfab Ducting Transition / Hood Styles



**Hemmed
or Raw Rectangular End Style**

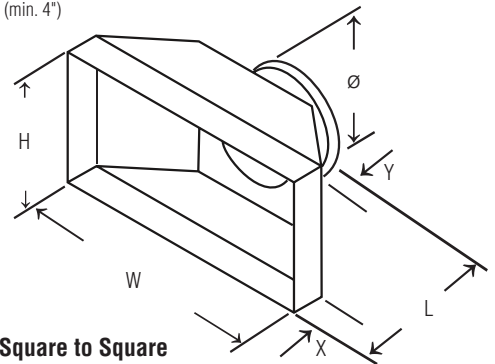
By default, X=2", Y=2", and L=W (min. L=Wx0.75 or 7" whichever is greater)



**Flanged
Rectangular End Style**

(Additional cost for Flange)

By default, X=2", Y=2", and L=W (min. 4")



Square to Square

- L must be at least 75% of W or it will be Square to Square.
- L of Square to Round (at least 7" minimum).
L of Square to Square (4" minimum).

Built to your specifications. Please list all required dimensions and details.

Specify Rectangle End:

- Flanged Raw End I.D. Raw End O.D.

Flange Type:

- Angle Bar Flat Bar Sheet Metal

Specify Round End:

- QF Flanged Hose Conn. Raw I.D. Or O.D.

NOTE:

If no hole pattern is supplied for flanges, they will be supplied "Blank" to be field drilled.

Describe your Transition requirements												
Qty	Material	Gauge	Ø	End Style	H	W	End Style	L	X STD-2"	Y STD-2"	Flange Dwg	Notes

Specify dimensions round end Ø, square end H and W dimensions and L. Also available with flanged connections. Specify flange pattern. If no hole pattern is supplied for flanges, flange will be supplied blank to be field drilled.

Standard flange material is 1-1/2 x 3/16" THK angle. Transition diameter sizes exceeding 24" will be supplied with a flanged round end. Standard length is equal to W dimension, unless otherwise specified or round end dimension is greater. Prices are determined by the rectangular dimensions, with adder for flange(s) if needed.

NOTE: Square to square transitions are made when the customer's specified length is less than 75% of the W dimension.

www.nordfab.com • 800-532-0830 • info@nordfab.com

The world's fastest ducting™