

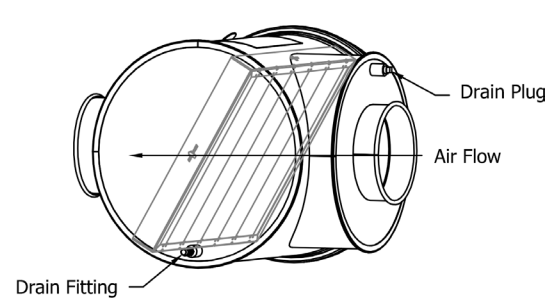
Ø mm	A mm	B mm	Baffle Size mm	Thickness mm
80	385	450	370 x 240	0.9
100	385	450	370 x 240	
125	385	450	370 x 240	
140	385	450	370 x 240	
150	385	450	370 x 240	
160	525	600	513 x 385	
180	525	600	513 x 385	
200	525	600	513 x 385	
224	525	600	513 x 385	
250	525	600	513 x 385	
300	635	700	625 x 488	
315	635	700	625 x 488	
350	635	700	625 x 488	
400	635	700	625 x 488	

Construction

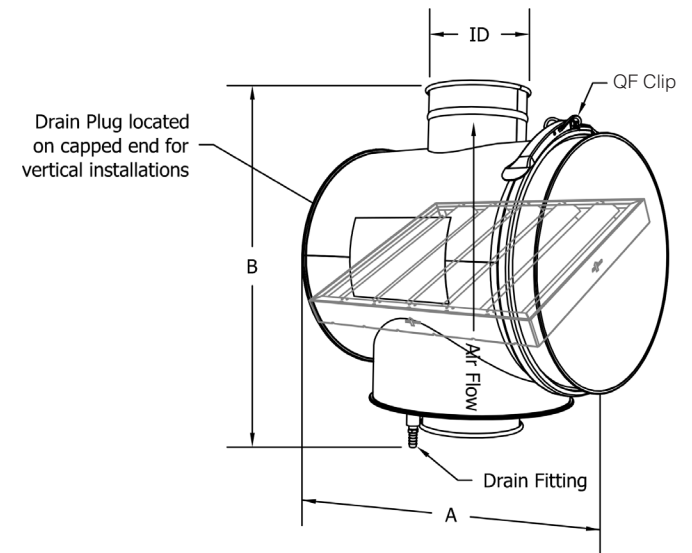
Constructed of 0.9 mm thick galvanised or Stainless Steel, with lapped, spot welded, and epoxy caulked seams. The main body of the unit includes an end cap, clip, and molded gasket for internal access and maintenance. Product can be mounted in vertical or horizontal applications and includes 1.5 m of clear PVC tubing and hose clamp for the drain fitting.

Ends

Standard QF end can be changed to Raw ID (I/D), Raw OD (O/D), Hose Adapter (FX), Flat Bar Flange (FL), or 6mm turned out edge (FB).



Horizontal Installation



Vertical Installation

Temperature Rating of Product Components		
° C	Oil Mist Drain	Sealants
200°	Galvanised Steel	Joka Seal Metal Sealant 2315
121°		
-20°		

Compliance / Rating of Product Components		
Product	Material	Compliance / Rating
Oil Mist Drain	Galvanised	DX51D with Z275 Coating
Joka Seal Metal Sealant 2315	Acetone blend	AAMA Specification 801.1

Additional Notes

At temperatures ranging between 200° C and 250° C, the zinc-iron alloy layers in galvanised steel will continue to provide a high level of protection from corrosion. However, there may be some peeling, changes in mechanical properties, and reduction in the corrosion protection. Recommended max. service temperature is 200° C.

Additional Product Components and Notes

Molded gasket	Performs well in many oil, water, and hydraulic fluid applications. Should not be used with solvents such as acetone, MEK, ozone, chlorinated hydrocarbons, and nitro hydrocarbons.			
Internal Baffle	Replacement Part No.	Description	Replacement Part No.	Description
	23020-006	370 x 240 mm Baffle (Ø 080 - 150 Galvanised)	23020-S006	370 x 240 mm Baffle (Ø 080 - 150 SS 304)
	23020-007	513 x 385 mm Baffle (Ø 160 - 250 Galvanised)	23020-S007	513 x 385 mm Baffle (Ø 160 - 250 SS 304)
	23020-008	625 x 488 mm Baffle (Ø 300 - 400 Galvanised)	23020-S008	625 x 488 mm Baffle (Ø 300 - 400 SS 304)
Drain Fittings	Replacement Part No.	Description		
	23020-003	1/2" Barb 1/4" NPT, brass construction (Galvanised)		
	23020-S003	1/2" Barb 1/4" NPT, SS 304 construction (SS304)		
Drain Plugs	Replacement Part No.	Description		
	23020-002	1/4" Plug SQ BK (Galvanised)		
	23020-S002	1/4" Plug SQ SS (SS 304)		
PVC Tubing	Replacement Part No.	Description		
	23020-004	PVC Tubing 1/2"		
Hose Clamp	Replacement Part No.	Description		
	23020-005	Hose Clamp 13 - 20 mm		