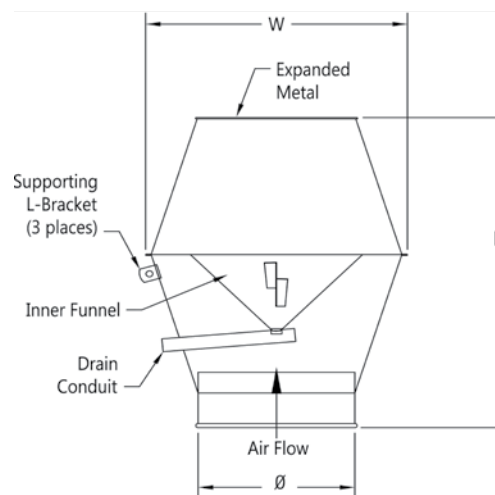


TECHNICAL DATA SHEET: QUICK-FIT (QF) JET COWL

Ø mm	O/D mm	I/D mm	Rolled Edge (nom. mm)	W mm	L mm	Weight kg	Galvanised Steel Thickness mm
80	79	78	6	160	300	1,3	0,7
100	98	97	6	160	300	1,3	0,7
125	124	123	6	200	350	1,8	0,7
140	139	138	6	226	380	2,2	0,7
150	148	147	6	242	400	2,7	0,7
160	159	158	6	256	420	2,7	0,7
180	179	178	8	290	460	3,3	0,7
200	200	199	8	322	500	3,9	0,7
250	250	249	8	401	600	6,1	0,7
300	298	297	10	483	700	9,0	0,7
315	313	312	10	506	720	9,0	0,7
350	348	347	10	564	800	13,6	0,9
400	400	398	10	644	900	17,7	0,9
450	449	447	10	724	1000	22,0	0,9
500	499	497	10	804	1100	27,1	0,9
560	559	557	10	902	1220	37,5	0,9
630	629	627	10	1014	1360	46,5	0,9
710	709	707	10	1144	1520	59,4	0,9



Construction:

Top screen: Expanded metal, 3/4" square pattern
Koga painted black metal.

Collars: Collars have a laser welded longitudinal seam.

Drain conduit:

12 mm dia. used for 80 - 315 mm.
25 mm dia. used for 350 - 600 mm.
50 mm dia. used for 630 - 1000 mm.

Ends: Also supplied in flanged design (FLI/FLN).

Additional Notes

At temperatures ranging between 200° C and 250° C, the zinc-iron alloy layers in galvanised steel will continue to provide a high level of protection from corrosion. However, there may be some peeling, changes in mechanical properties, and reduction in the corrosion protection. Recommended max. service temperature is +80° C.

Compliance / Rating of Product Components

Product	Material	Compliance / Rating
Jet Cowl	Galvanised	DX51D with Z275 Coating
Joka Seal Metal Sealant 2315	Aceton Blend	AAMA Specification 801.1

Temperature Rating of Product Components

	Quick-Fit Jet Cowl	Sealant
200°C	Galvanised Steel	Joka Seal Metal Sealant 2315
121°C		
-20°C		

