

# Diverter Valve

## RGSL Manual / RGBL Automatic

Ø mm	A mm	B mm	C mm	Damper Blade Thickness	Weight RGSL	Weight RGBL
125	330	110	110	4	3,2	3,2
150	455	145	145	5	4,6	4,6
160	455	145	145	5	4,7	4,7
180	525	145	145	5	8,4	8,4
200	525	145	145	5	8,5	8,5
250	820	250	250	5	14,1	14,1
300	900	250	250	5	19,1	19,1
350	880	250	250	6	23,9	23,9
400	930	295	295	6	36,4	36,4
450	965	295	295	6	40,8	40,8
500	1040	295	295	6	53,6	53,6
550	1170	345	345	6	74,5	74,5



**Note:**

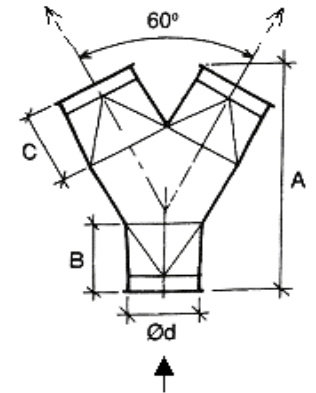
Designed for quick changes between two streams and ideal for conveying dust particulate, our diverters meet EU's machinery directive (98/37/EC) and as standard are manufactured in 2 - 3 mm painted mild steel.

**Operation**

- The damper should be connected to clean and dry compressed air
- Normal working pressure: 0.6 MPa (6 bar)
- Maximum pressure: 1.0 MPa (10 bar)
- Temp. range: 0-80°C (dry air 20°C)

**Finish**

- RAL5009 blue



Temperature Rating of Product Components	
°C	RGSL Manual / RGBL Automatic Diverter Valves
80°	Mild Steel
0°	

Compliance / Rating of Product Components		
Product	Material	Compliance / Rating
RGSL Manual / RGBL Automatic Diverter Valves	Mild Steel	EU's machinery directive (98/37/EC)