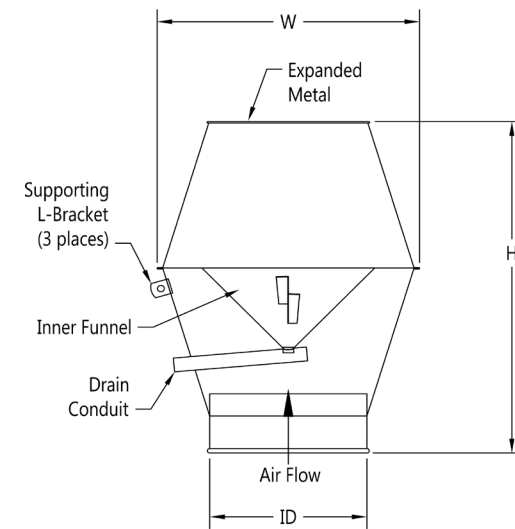


Ø mm	O/D mm	I/D mm	Rolled Edge (nom. mm)	W mm	H mm	Weight kg	Galvanised Steel
100	98	97	6	160	300	1,3	0,9
125	124	123	6	200	350	1,8	
140	139	138	6	226	380	2,2	
150	148	147	6	242	400	2,4	
160	159	158	6	256	420	2,7	
180	179	178	8	290	460	3,3	
200	200	199	8	322	500	3,9	
224	224	223	8	361	550	5,1	
250	250	249	8	401	600	6,1	
300	298	297	10	483	700	8,3	
315	313	312	10	506	720	9,0	
350	348	347	10	564	800	11,0	
400	400	398	10	644	900	14,0	
450	449	447	10	724	1000	17,4	
500	499	497	10	804	1100	21,1	
560	559	557	10	902	1220	26,0	



**Construction**

Top screen: expanded metal, 3/4" square pattern Koga painted black metal.

**Collars:** Collars have a laser welded longitudinal seam.

**Drain conduit:** 12mm dia. used for 100 - 315mm  
25mm dia. used for 350 - 600mm  
50mm dia. used for 630 - 1000mm

**Ends**

Also supplied in flanged design.

Temperature Rating of Product Components		
° C	Jet Cowl	Sealants
200°	Galvanised Steel	Joka Seal Metal Sealant 2315
121°		
-20°		

Additional Notes
At temperatures ranging between 200° C and 250° C, the zinc-iron alloy layers in galvanised steel will continue to provide a high level of protection from corrosion. However, there may be some peeling, changes in mechanical properties, and reduction in the corrosion protection. Recommended max. service temperature is 200° C.

Compliance / Rating of Product Components		
Product	Material	Compliance / Rating
Jet Cowl	Galvanised	DX51D with Z275 Coating
Joka Seal Metal Sealant 2315	Acetone blend	AAMA Specification 801.1