

Flange FLN

FLN Flange Dimensions in mm

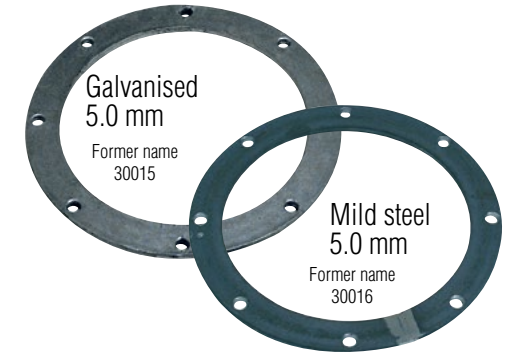
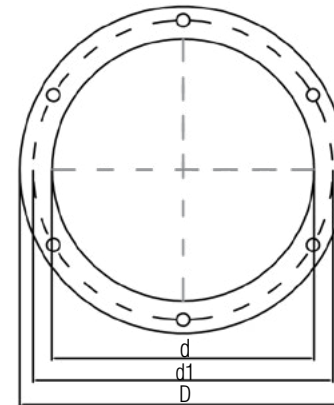
Ø mm	d	d1	D	T	W	Hole Ø	No. holes	Weight kg
80	81	107	121	5	20	10	4	0,26
100	101	127	143		20		4	0,30
125	126	157	178		25		4	0,47
140	141	172	193		25		6	0,52
150	151	182	203		25		6	0,54
160	161	192	213		25		6	0,58
180	181	212	233		25		6	0,64
200	203	232	253		25		6	0,71
225	227	257	279		25		6	0,75
250	253	289	313		30		6	1,06
300	303	339	363		30		6	1,25
315	317	349	377		30		8	1,30
350	353	387	413		30		8	1,43
400	404	438	464		30		12	1,62
450	454	488	514		30		12	1,81
500	504	538	564		30		12	2,00
550	554	588	614		30		12	2,10
560	565	600	625		30		12	2,22
600	604	640	664		30		16	3,04
630	635	670	695		30		16	3,19
650	654	688	714	30	16	3,28		
700	704	738	764	30	16	3,53		
710	715	750	775	30	16	3,62		
750	754	788	814	30	16	4,02		
800	804	848	884	40	16	4,22		
900	904	948	984	40	16	4,72		
1000	1004	1048	1084	40	16	6,20		

Temperature Rating of Product Components	
° C	Flange
200°	Galvanised Steel
121°	
-20°	

Additional Notes

At temperatures ranging between 200° C and 250° C, the zinc-iron alloy layers in galvanised steel will continue to provide a high level of protection from corrosion. However, there may be some peeling, changes in mechanical properties, and reduction in the corrosion protection. Recommended max. service temperature is 200° C.

Compliance / Rating of Product Components		
Product	Material	Compliance / Rating
30015/30016 Flange	Galvanised	DX51D with Z275 Coating



Also formerly named Nordfab flange