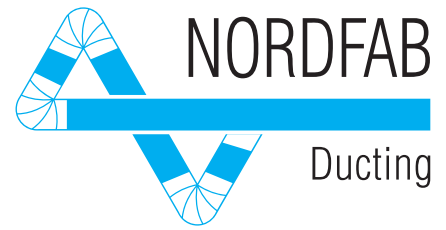


23_{mm}



Mild Steel Product Catalogue

SP 21.1 English

The world's fastest ducting™

Sizing Nordfab Ducting Systems

Nordfab offers assistance to customers who have never designed a ducting system. We can assist you with determining

the correct duct size and configuration for optimal air flow. Please call your local representative for assistance.

Range of duct air flow volumes m³/h

Ø mm	10 m/s	12 m/s	15 m/s	18 m/s	20 m/s	22 m/s	25 m/s	27 m/s	29 m/s	31 m/s
80	181	217	271	326	362	398	452	489	525	561
100	283	339	424	509	566	622	707	763	820	877
125	442	530	663	795	884	972	1105	1193	1281	1370
140	554	665	831	998	1108	1219	1385	1496	1607	1718
150	636	763	954	1145	1272	1400	1590	1718	1845	1972
160	724	869	1086	1303	1448	1592	1810	1954	2099	2244
180	916	1099	1374	1649	1832	2015	2290	2473	2657	2840
200	1131	1357	1697	2036	2262	2488	2827	3054	3280	3506
224	1419	1702	2128	2554	2837	3121	3547	3831	4114	4398
250	1767	2121	2651	3181	3534	3888	4418	4771	5125	5478
300	2545	3054	3817	4580	5089	5598	6362	6871	7380	7889
315	2806	3367	4208	5050	5611	6172	7014	7575	8136	8697
350	3464	4156	5195	6235	6927	7620	8659	9352	10045	10737
400	4524	5429	6786	8143	9048	9953	11310	12215	13119	14024
450	5726	6871	8588	10306	11451	12569	14314	15459	16604	17749
500	7069	8482	10603	12724	14137	15551	17672	19085	20499	21913
560	8867	10640	13300	15960	17734	19507	22167	23940	25714	27487
630	11222	13466	16833	20200	22444	24689	28055	30300	32544	34788
710	14253	17104	21380	25656	28506	31357	35633	38483	41334	44185

Using the Air Volume Chart

This chart allows you to choose the correct duct size for the air volume that is required. Different materials need to be conveyed at different velocities to prevent the material from falling out of the air stream.

For example, wood chips and saw dust flow well between 18 and 25 m/s. Referring to the chart, a 100 mm duct will

convey 622 m³/h at 22 m/s. This indicates that a 100 mm pick-up on a machine will use 622 m³/h from the filtering system. Or working in reverse, if you know that a machine will require approximately 650 m³/h to remove the waste, then you should design a 100 mm duct for the application.

Mild Steel Ducting for industrial ventilation, vacuum and pneumatic conveying.

We supply mild, corten and stainless steel ducting in thicknesses t = 2-5 mm as standard. Prices quoted on request.

Construction

- Mild steel 2-3 mm.
- Connections: flanged, clipped edge, straight edge.
- Cold rolled steel sheet in 1312.
- The maximum recommended operating temperature +80°C.

Finish

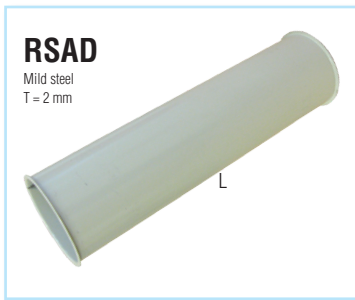
- Painted in RAL 7032.
- Priming 50 µ, zinc content 70%.

Optional

- Corten steel.
- Stainless steel.
- Other thicknesses.

ORDER EXAMPLE:

Duct W MS 2mm 450FB L=0,5m RAL 7032



Ø	L=2000 mm		L=1000 mm		L=500 mm	
	Item no.	Weight, kg	Item no.	Weight, kg	Item no.	Weight, kg
100	8240020910	9,9	8240020909	5	8240020908	2,5
120	8240020913	11,8	8240020912	6,2	8240020911	3,0
125	8240020916	12,5	8240020915	6,4	8240020914	3,2
140	8240020919	14,0	8240020918	7,2	8240020917	3,5
150	8240020922	15,0	8240020921	7,6	8240020920	3,8
160	8240020925	16,0	8240020924	8,2	8240020923	4,1
180	8240020928	18,0	8240020927	9,1	8240020926	4,6
200	8240020931	20,1	8240020930	10,2	8240020929	5,1
225	8240020934	22,6	8240020933	11,3	8240020932	5,7
250	8240020937	25,1	8240020936	12,6	8240020935	6,3
300	8240020940	30,1	8240020939	15,2	8240020938	7,6
315	8240020943	31,7	8240020942	16	8240020941	7,9
350	8240020946	35,3	8240020945	17,8	8240020944	8,9
400	8240020949	40,3	8240020948	20,2	8240020947	10,1
450	8240020952	45,3	8240020951	22,8	8240020950	11,4
500	8240020955	50,3	8240020954	25,2	8240020953	12,6
550	8240020958	55,4	8240020957	27,8	8240020956	13,9
600	8240020961	60,5	8240020960	30,4	8240020959	15,2
630	8240020964	63,5	8240020963	31,8	8240020962	15,9
650	8240020967	65,5	8240020966	32,8	8240020965	16,4
700	8240020970	70,5	8240020969	35,3	8240020968	17,6
750	8240020973	75,6	8240020972	37,8	8240020971	18,9
800	8240020976	80,6	8240020975	40,3	8240020974	20,2
850	8240020979	85,6	8240020978	42,8	8240020977	21,4
900	8240020982	90,6	8240020981	45,3	8240020980	22,7
950	8240020985	95,7	8240020984	47,8	8240020983	23,9
1000	8240020988	100,8	8240020987	50,3	8240020986	25,2

- Welded duct with clipped edge.
- Steel quality SS1312.
- Base and top coat in RAL 7032 grey, 50 microns.
- Max. working temperature of the surface treatment is 80°C.
- For assembly of duct and fittings with clipped edge use FSFE or FSDB clips.
- For diameters up to 1000 mm.

ORDER EXAMPLE:

Duct W MS 2mm 800FLI L=2m RAL 7032



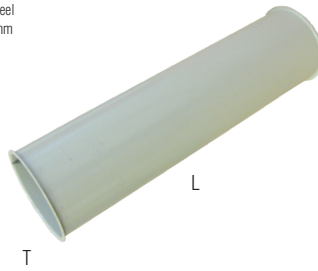
Ø	L=2000 mm		L=1000 mm		L=500 mm	
	Item no.	Weight, kg	Item no.	Weight, kg	Item no.	Weight, kg
100	8240020991	10,4	8240020990	5,5	8240020989	3,1
120	8240020994	12,7	8240020993	6,8	8240020992	3,8
125	8240020997	13,4	8240020996	7,2	8240020995	3,9
140	8240021000	15,0	8240020999	8,0	8240020998	4,5
150	8240021003	16,0	8240021002	8,6	8240021001	4,1
160	8240021006	17,1	8240021005	9,1	8240021004	4,4
180	8240021009	19,2	8240021008	11,1	8240021007	4,5
200	8240021012	21,5	8240021011	11,4	8240021010	5,6
225	8240021015	24,1	8240021014	12,8	8240021013	7,2
250	8240021018	27,4	8240021017	14,8	8240021016	8,5
300	8240021021	32,8	8240021020	17,8	8240021019	10,2
315	8240021024	34,6	8240021023	18,8	8240021022	10,9
350	8240021027	38,6	8240021026	20,9	8240021025	12,1
400	8240021030	44,0	8240021029	23,8	8240021028	13,8
450	8240021033	49,4	8240021032	26,8	8240021031	15,5
500	8240021036	54,9	8240021035	29,8	8240021034	17,2
550	8240021039	60,4	8240021038	32,8	8240021037	18,9
600	8240021042	65,9	8240021041	35,8	8240021040	20,6
630	8240021045	69,4	8240021044	37,6	8240021043	21,8
650	8240021048	71,5	8240021047	38,8	8240021046	22,4
700	8240021051	76,7	8240021050	41,5	8240021049	23,8
750	8240021054	84,8	8240021053	46,9	8240021052	28,1
800	8240021057	90,4	8240021056	50,2	8240021055	30,0
850	8240021060	96,2	8240021059	53,4	8240021058	32,0
900	8240021063	101,7	8240021062	56,4	8240021061	33,7
950	8240021066	107,1	8240021065	59,2	8240021064	35,3
1000	8240021069	112,8	8240021068	62,3	8240021067	37,2

- Flanged welded duct, with fixed flanges, type FSSA.
- Steel quality SS1312.
- Base and top coat in RAL 7032 grey, 50 microns.
- Max. working temperature of the surface treatment is 80°C.
- For assembly of duct and fittings with flanges use bolt, nut and flange gasket FSAZ.

Ø	L=2000 mm		L=1000 mm		L=500 mm	
	Item no.	Weight, kg	Item no.	Weight, kg	Item no.	Weight, kg
150	8240021072	22,8	8240021071	11,4	8240021070	5,7
160	8240021075	24,4	8240021074	12,2	8240021073	6,1
180	8240021078	27,2	8240021077	13,6	8240021076	6,8
200	8240021081	30,4	8240021080	15	8240021079	7,6
250	8240021087	38	8240021086	19	8240021085	9,5
300	8240021090	45,6	8240021089	22,8	8240021088	11,4
315	8240021093	47,8	8240021092	24	8240021091	12
350	8240021096	53,2	8240021095	26,6	8240021094	13,3
400	8240021099	60,8	8240021098	30,4	8240021097	15,2
450	8240021102	68,4	8240021101	34,2	8240021100	17,1
500	8240021105	76	8240021104	38	8240021103	19
550	8240021108	83,6	8240021107	41,8	8240021106	20,9
600	8240021111	90,8	8240021110	45,4	8240021109	22,7

RSAE

Mild steel
T = 3 mm



ORDER EXAMPLE: Duct W MS 3mm 400FB L=2m RAL 7032

- Steel quality SS1312.
- FB clipped edge.
- Base and top coat in RAL 7032 grey, 50 microns.
- Max. working temperature of the surface treatment is 80°C.
- For assembly of duct and fittings with clipped edge use FSFE or FSDB clips.
- For diameters up to 600 mm.

Ø	L=2000 mm		L=1000 mm		L=500 mm	
	Item no.	Weight, kg	Item no.	Weight, kg	Item no.	Weight, kg
150	8240021141	23,9	8240021140	11,9	8240021139	5,9
160	8240021144	25,6	8240021143	12,8	8240021142	6,4
180	8240021147	28,5	8240021146	14,2	8240021145	7,1
200	8240021150	31,8	8240021149	15,9	8240021148	7,9
250	8240021156	39,7	8240021155	19,8	8240021154	9,9
300	8240021159	45,6	8240021158	22,8	8240021157	11,4
315	8240021162	47,4	8240021161	23,7	8240021160	11,9
350	8240021165	53,2	8240021164	26,6	8240021163	13,3
400	8240021168	60,8	8240021167	30,4	8240021166	15,2
450	8240021171	68,4	8240021170	34,2	8240021169	17,1
500	8240021174	76	8240021173	38	8240021172	19
550	8240021177	83,6	8240021176	41,8	8240021175	20,9
600	8240021180	90,8	8240021179	45,4	8240021178	22,7
630	8240021183	95,2	8240021182	47,6	8240021181	23,8
650	8240021186	98,4	8240021185	49,2	8240021184	24,6
700	8240021189	105,6	8240021188	52,8	8240021187	26,4
750	8240021192	113,2	8240021191	56,6	8240021190	28,3
800	8240021195	120,8	8240021194	60,4	8240021193	30,2
850	8240021198	128,4	8240021197	64,2	8240021196	32,1
900	8240021201	136	8240021200	68	8240021199	34
950	8240021204	143,6	8240021203	71,8	8240021202	35,9
1000	8240021207	151,2	8240021206	75,6	8240021205	37,8

RSFE

Mild steel
T = 3 mm



ORDER EXAMPLE: Duct W MS 3mm 350FLI L=1m RAL 7032

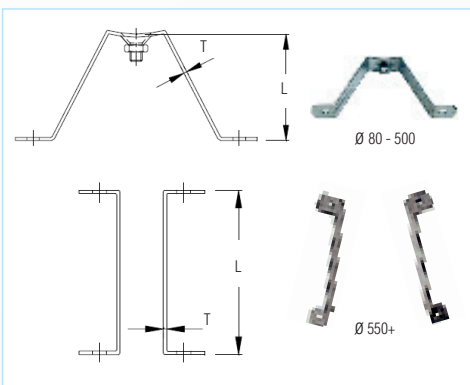
- Steel quality SS1312.
- Flanged, with fixed flanges, type FSSA
- Base and top coat in RAL 7032 grey, 50 microns
- Max. working temperature of the surface treatment is 80°C.
- For assembly of duct and fittings with flanges use bolt, nut and flange gasket FSAZ.

KVDD Legs for Split Strap

Galv

ORDER EXAMPLE:
KVDD Legs for Split Strap
Galv 180mm 315mm

Ø	Item no.	T	L	Weight, kg
80 to 160	8210003377	2.5	65	0.12
180 to 315	8210003378			0.17
350	8210003379			0.35
400	8210003380			0.40
450	8210003381			0.45
500	8210003382	3.0	= .5(Ø) + 100 mm	0.50
550	8210003383			0.55
600	8210003384			0.60
650	8210003385			0.65
700	8210003386			0.70
800	8210003387			0.80

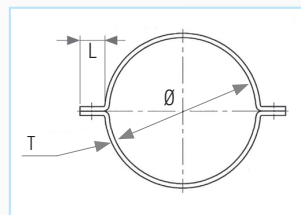


ORDER EXAMPLE:
KVDA Split Strap Galv 3mm 560mm

KVDA Split Strap

Galv 3mm
Welded seam

Ø	Item no.	L	T
80	8210001108	25	3
100	8210001109	25	3
120	8210001110	25	3
125	8210001111	25	3
140	8210001112	25	3
150	8210001113	25	3
160	8210001114	25	3
180	8210001115	25	3
200	8210001116	25	3
224	8210001117	25	3
250	8210001118	25	3
280	8210001119	30	3
300	8210001120	30	3
315	8210001121	30	3
325	8210001122	30	3
350	8210001123	30	3
400	8210001124	30	3
450	8210001125	30	3
500	8210001126	30	3
550	8210001127	40	3
560	8210001128	40	3
600	8210001129	40	3
630	8210001130	40	3
650	8210001131	40	3
710	8210001132	40	3
800	8210001133	40	3



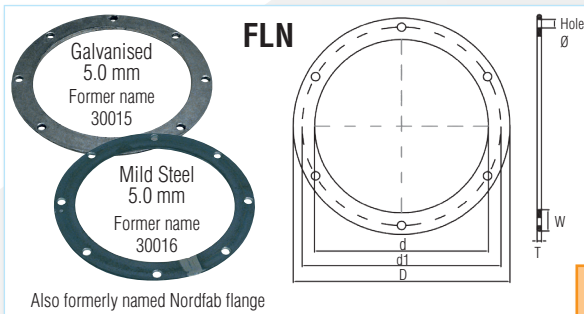
Galvanised
Incl. bolt
and nut



Duct mounted with Split Strap and Legs for Split Strap.

Flanges

ORDER EXAMPLE:
Flange 30015 Galv 5mm 125FLN

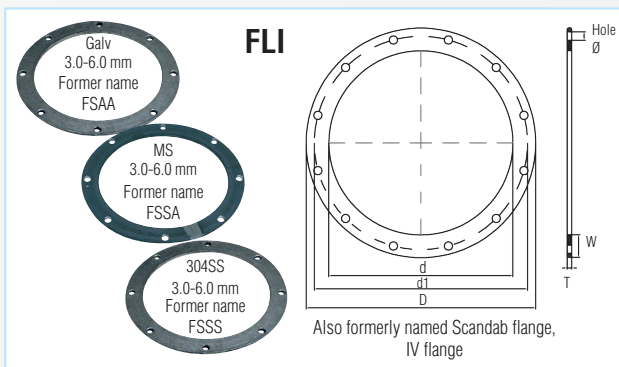


Specify Flange material:
Galv MS Mild Steel 304SS

FLN Flange Dimensions in mm											
Ø mm	Item no. Galv	Item no. MS	d	d1	D	T	W	Hole Ø	No. holes	Weight kg	
80	8210001064	—	81	107	121		20		4	0,26	
100	8210001065	8210002047	101	127	143		20		4	0,30	
125	8210001066	8210002048	126	157	178		25		4	0,47	
140	8210001067	8210002049	141	172	193		25		6	0,52	
150	8210001068	—	151	182	203		25		6	0,54	
160	8210001069	8210002050	161	192	213		25		6	0,58	
180	8210001070	8210002051	181	212	233		25		6	0,64	
200	8210001071	8210002052	203	232	253		25		6	0,71	
225	8210001072	8210002053	227	257	279		25		6	0,75	
250	8210001073	8210002054	253	289	313		30		6	1,06	
300	8210001075	—	303	339	363		30		6	1,25	
315	8210001076	8210002055	317	349	377		30		8	1,30	
350	8210001077	8210002056	353	387	413		30		8	1,43	
400	8210001079	8210002057	404	438	464	5	30	10	12	1,62	
450	8210001080	8210002058	454	488	514		30		12	1,81	
500	8210001081	8210002059	504	538	564		30		12	2,00	
550	8210001082	8210002060	554	588	614		30		12	2,10	
560	8210001083	8210002061	565	600	625		30		12	2,22	
600	8210001084	8210002062	604	640	664		30		16	3,04	
630	8210001085	8210002063	635	670	695		30		16	3,19	
650	8210001086	—	654	688	714		30		16	3,28	
700	8210001087	8210002064	704	738	764		30		16	3,53	
710	8210001088	8210002065	715	750	775		30		16	3,62	
750	8210001089	—	754	788	814		30		16	4,02	
800	8210001090	8210002066	804	848	884		40		16	4,22	
900	8210001091	8210002067	904	948	984		40		16	4,72	
1000	8210001092	8210002068	1004	1048	1084		40		16	6,20	

ORDER EXAMPLE:
Flange FSAA Galv 5mm 300FLI

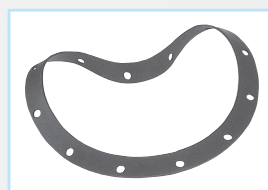
FLI Flange Dimensions in mm												
Ø mm	Item No. Galv	Item No. MS	Item No. 304SS	d	d1	D	T	W	Hole Ø	No. holes	Weight kg	
080	8210003257	8210003190	8210003226	83	115	133	3	25	9	8	0,26	
100	8210003258	8210003191	8210003227	103	135	153	3	25	9	8	0,31	
120	8210003259	8210003192	8210003228	123	155	173	3	25	9	8	0,36	
125	8210003260	8210003193	8210003229	128	160	18	3	25	9	8	0,38	
140	8210003261	8210003194	8210003230	143	175	193	3	25	9	8	0,41	
150	8210003262	8210003195	8210003231	153	185	203	5	25	9	8	0,54	
160	8210003263	8210003196	8210003232	163	195	213	5	25	9	8	0,58	
180	8210003264	8210003197	8210003233	183	215	233	5	25	9	8	0,64	
200	8210003265	8210003198	8210003234	203	235	253	5	25	9	12	0,70	
225	8210003266	8210003199	8210003235	228	260	278	5	25	9	12	0,75	
250	8210003267	8210003200	8210003236	253	285	303	5	25	9	12	0,86	
300	8210003269	8210003201	8210003237	304	336	354	5	25	9	12	1,00	
315	8210003270	8210003202	8210003238	319	351	369	5	25	9	12	1,26	
350	8210003271	8210003203	8210003239	354	389	414	6	30	11	12	1,84	
400	8210003273	8210003204	8210003240	404	439	464	6	30	11	16	2,10	
450	8210003274	8210003205	8210003241	454	489	515	6	30	11	16	2,32	
500	8210003275	8210003206	8210003242	505	540	565	6	30	11	16	2,56	
550	8210003276	8210003207	8210003243	555	590	615	6	30	11	16	2,81	
600	8210003277	8210003209	8210003244	605	640	665	6	30	11	16	3,04	
630	8210003278	8210003210	8210003245	635	670	695	6	30	11	24	3,19	
650	8210003279	8210003211	8210003246	655	690	715	6	30	11	24	3,28	
700	8210003280	8210003212	8210003247	705	740	765	6	40	11	24	3,53	
710	8210003281	8210003213	—	715	750	795	6	40	11	24	3,90	
750	8210003282	8210003214	8210003248	755	800	835	6	40	11	24	5,09	
800	8210003283	8210003215	8210003249	805	850	885	6	40	11	24	5,41	
850	8210003284	8210003216	8210003250	855	900	935	6	40	11	24	5,73	
900	8210003285	8210003217	8210003251	905	950	985	6	40	11	24	6,05	
950	8210003286	8210003218	8210003252	955	1000	1035	6	40	11	24	6,37	
1000	8210003287	8210003219	8210003253	1005	1050	1085	6	40	11	24	6,69	
1250	8210003288	8210003220	8210003254	1255	1300	1335	6	40	11	28	6,85	



Flange Gasket FSAZ

Nitrile

Ø mm	Item No.	Ø mm	Item No.	Ø mm	Item No.
080	8210003102	250	8210003112	630	8210003122
100	8210003103	275	8210003113	650	8210003123
120	8210003104	300	8210003114	700	8210003124
125	8210003105	315	8210003115	750	8210003125
140	8210003106	350	8210003116	800	8210003126
150	8210003107	400	8210003117	850	8210003127
160	8210003108	450	8210003118	900	8210003128
180	8210003109	500	8210003119	950	8210003129
200	8210003110	550	8210003120	1000	8210003130
225	8210003111	600	8210003121	1250	8210003131



T = 3 mm, Nitrile.
Also available in other qualities.
Compatible with FSAA, FSSA, FSSS.

ORDER EXAMPLE:
Gasket Flange FSAZ Nitrile 630mm

Bends

Ø	90°		60°		45°		30°		15°	
	Item no.	Weight, kg	Item no.	Weight, kg	Item no.	Weight, kg	Item no.	Weight, kg	Item no.	Weight, kg
100	8210002251	1,2	8210002250	0,9	8210002249	0,6	8210002248	0,4	8210002247	0,2
120	8210002256	1,8	8210002255	1,2	8210002254	0,9	8210002253	0,6	8210002252	0,3
125	8210002261	2	8210002260	1,3	8210002259	1	8210002258	0,7	8210002257	0,4
150	8210002271	2,9	8210002270	2	8210002269	1,4	8210002268	1	8210002267	0,5
160	8210002276	3,2	8210002275	2,2	8210002274	1,6	8210002273	1,1	8210002272	0,7
180	8210002281	4,1	8210002280	2,7	8210002279	2,1	8210002278	1,4	8210002277	0,8
200	8210002286	5	8210002285	3,4	8210002284	2,5	8210002283	1,7	8210002282	0,9
250	8210002296	7,6	8210002295	5,2	8210002294	3,8	8210002293	2,6	8210002292	1,4
300	8210002301	11,2	8210002300	7,5	8210002299	5,6	8210002298	3,8	8210002297	1,9
315	8210002306	13,1	8210002305	8,6	8210002304	6,5	8210002303	4,4	8210002302	2,2
350	8210002311	15,7	8210002310	10,4	8210002309	7,8	8210002308	5,2	8210002307	2,6
400	8210002316	19,6	8210002315	13,1	8210002314	9,8	8210002313	6,5	8210002312	3,3
450	8210002321	24,2	8210002320	16,2	8210002319	12,1	8210002318	8,1	8210002317	4
500	8210002326	29,9	8210002325	20	8210002324	15	8210002323	10	8210002322	5
550	8210002331	36,2	8210002330	24,2	8210002329	18,1	8210002328	12,1	8210002327	6
600	8210002336	43,1	8210002335	28,8	8210002334	21,6	8210002333	14,4	8210002332	7,2

BSAD

Mild steel bend
T = 2 mm



ORDER EXAMPLE: Bend Seg MS 2mm 450FB
90Deg R=1,5 RAL 7032

- Steel quality SS1312.
- Strap Edge.
- Base and top coat in RAL 7032 grey, 50 microns.
- Max. working temperature of the surface treatment is 80°C.
- For assembly of duct and fittings with clipped edge use FSFE or FSDB clips.
- The dimensions Ø 100-300 is pressed execution then segments built.
- R (radius) = 1.5 x d (diameter).

BSFD

Mild steel bend
T = 2 mm



ORDER EXAMPLE: Bend Seg MS 2mm 500FLI
45Deg R=1,5 RAL 7032

- Steel Quality SS1312.
- Loose flanges, type FSSA.
- Base and top coat RAL 7032 grey, 50 microns.
- Max. operating temperature for the finish is 80°C.
- For assembly of pipes and fittings with flanges used bolt, nut and flange gasket FSAZ.
- Dimensions Ø 100-300 is pressed execution then segments built.
- R (radius) = 1.5 x d (diameter).

Ø	90°		60°		45°		30°		15°	
	Item no.	Weight, kg	Item no.	Weight, kg	Item no.	Weight, kg	Item no.	Weight, kg	Item no.	Weight, kg
100	8210002645	1,8	8210002644	1,6	8210002643	1,2	8210002642	1	8210002641	0,8
120	8210002650	2,5	8210002649	1,9	8210002648	1,6	8210002647	1,3	8210002646	1
125	8210002655	2,8	8210002654	2,1	8210002653	1,8	8210002652	1,4	8210002651	1,2
150	8210002665	3,7	8210002664	2,8	8210002663	2,2	8210002662	1,8	8210002661	1,6
160	8210002670	4,4	8210002669	4,1	8210002668	3,4	8210002667	2,8	8210002666	2,5
180	8210002675	6,4	8210002674	4,3	8210002673	3,5	8210002672	2,9	8210002671	2,6
200	8210002680	6,5	8210002679	4,8	8210002678	3,9	8210002677	3,1	8210002676	2,6
250	8210002690	9,3	8210002689	6,9	8210002688	5,5	8210002687	4,3	8210002686	3,1
300	8210002695	13,2	8210002694	9,5	8210002693	7,6	8210002692	5,8	8210002691	3,9
315	8210002700	15,6	8210002699	11,1	8210002698	9	8210002697	6,9	8210002696	4,7
350	8210002705	19,4	8210002704	14,1	8210002703	10,5	8210002702	8,9	8210002701	6,3
400	8210002710	23,8	8210002709	17,3	8210002708	14	8210002707	10,7	8210002706	7,5
450	8210002715	28,8	8210002714	20,8	8210002713	14,5	8210002712	12,7	8210002711	8,6
500	8210002720	35	8210002719	25,1	8210002718	20,1	8210002717	15,1	8210002716	10,1
550	8210002725	41,8	8210002724	29,8	8210002723	23,7	8210002722	17,7	8210002721	11,6
600	8210002730	49,2	8210002729	34,9	8210002728	26,7	8210002727	20,5	8210002726	13,3
630	8210002735	57,5	8210002734	41,9	8210002733	34	8210002732	22,2	8210002731	14,2
650	8210002740	61,3	8210002739	44,6	8210002738	36	8210002737	23,5	8210002736	15
700	8210002745	65,9	8210002744	46,3	8210002743	36,5	8210002742	26,7	8210002741	16,9
750	8210002753	77,7	8210002752	55,2	8210002751	44	8210002750	32,7	8210002749	21,5
800	8210002758	87,6	8210002757	62	8210002756	49,2	8210002755	36,4	8210002754	23,6
850	8210002763	98,3	8210002762	69,3	8210002761	54,9	8210002760	40,4	8210002759	26
900	8210002768	109,4	8210002767	77	8210002766	60,8	8210002765	44,5	8210002764	28,3
950	8210002773	121,1	8210002772	85	8210002771	66,9	8210002770	48,8	8210002769	30,8
1000	8210002778	133,6	8210002777	93,5	8210002776	73,5	8210002775	53,5	8210002774	33,4



BSFE
Mild steel bend
T = 3 mm

ORDER EXAMPLE: Bend Pressed MS 3mm
200FLI 15Deg R=1,5 RAL 7032

- Steel quality SS1312.
- Loose flanges, type FSSA.
- Base and top coat RAL 7032 grey, 50 microns.
- Max. operating temperature for the finish is 80°C.
- For assembly of duct and fittings with flanges use bolt, nut and flange gasket FSAZ
- Dimensions Ø 150-200 is pressed execution then segments built.
- R (radius) = 1.5 x d (diameter).

Ø	90°		60°		45°		30°		15°	
	Item no.	Weight, kg	Item no.	Weight, kg	Item no.	Weight, kg	Item no.	Weight, kg	Item no.	Weight, kg
150	8210002783	5,4	8210002782	4,1	8210002781	3,2	8210002780	2,6	8210002779	1,9
160	8210002788	5,9	8210002787	4,4	8210002786	3,5	8210002785	2,8	8210002784	2,1
180	8210002793	7,5	8210002792	5,6	8210002791	4,5	8210002790	3,6	8210002789	2,6
200	8210002798	8,9	8210002797	6,7	8210002796	5,3	8210002795	4,3	8210002794	3,1
225	8210002803	10,9	8210002802	8,2	8210002801	6,5	8210002800	5,2	8210002799	3,8
250	8210002808	12,8	8210002807	9,6	8210002806	7,7	8210002805	6,1	8210002804	4,5
300	8210002813	18,1	8210002812	13,6	8210002811	10,9	8210002810	8,7	8210002809	6,3
315	8210002818	20,7	8210002817	15,5	8210002816	12,4	8210002815	9,9	8210002814	7,2
350	8210002823	25,7	8210002822	19,3	8210002821	15,4	8210002820	12,3	8210002819	9,0
400	8210002828	32,8	8210002827	24,6	8210002826	19,7	8210002825	15,7	8210002824	11,5
450	8210002833	41,0	8210002832	30,8	8210002831	24,6	8210002830	19,7	8210002829	14,4
500	8210002838	50,0	8210002837	37,5	8210002836	30,0	8210002835	24,0	8210002834	17,5
550	8210002843	60,0	8210002842	45,0	8210002841	36,0	8210002840	28,8	8210002839	21,0
600	8210002848	70,8	8210002847	53,1	8210002846	42,5	8210002845	34,0	8210002844	24,8
630	8210002853	77,5	8210002852	58,1	8210002851	46,5	8210002850	37,2	8210002849	27,1
650	8210002858	82,6	8210002857	62,0	8210002856	49,6	8210002855	39,6	8210002854	28,9
700	8210002863	95,3	8210002862	71,5	8210002861	57,2	8210002860	45,7	8210002859	33,4
750	8210002868	108,4	8210002867	81,3	8210002866	65,0	8210002865	52,0	8210002864	37,9
800	8210002873	125,4	8210002872	94,1	8210002871	75,2	8210002870	60,2	8210002869	43,9
850	8210002878	140,9	8210002877	105,7	8210002876	84,5	8210002875	67,6	8210002874	49,3
900	8210002883	157,5	8210002882	118,1	8210002881	94,5	8210002880	75,6	8210002879	55,1
1000	8210002888	193,7	8210002887	145,3	8210002886	116,2	8210002885	93,0	8210002884	67,8



BSAE
Mild steel bend
T = 3 mm

ORDER EXAMPLE: Bend Seg MS 3mm 800FB
90Deg R=1,5 RAL 7032

- Steel quality SS1312.
- Clipped edge.
- Base and top coat RAL 7032 grey, 50 microns.
- Max. operating temperature for the finish is 80°C.
- For assembly of duct and fittings with clipped edge use FSFE or FSDB clips.
- Dimensions Ø 150-300 is pressed execution then segments built.
- R (radius) = 1.5 x d (diameter).

Ø	90°		60°		45°		30°		15°	
	Item no.	Weight, kg	Item no.	Weight, kg	Item no.	Weight, kg	Item no.	Weight, kg	Item no.	Weight, kg
150	8210002386	4,3	8210002385	3	8210002384	2,2	8210002383	1,5	8210002382	0,8
160	8210002391	4,8	8210002390	3,2	8210002389	2,4	8210002388	1,6	8210002387	1
180	8210002396	6,2	8210002395	4,1	8210002394	3,1	8210002393	2,1	8210002392	1,1
200	8210002401	7,5	8210002400	5,1	8210002399	3,7	8210002398	2,5	8210002397	1,3
225	8210002406	9,3	8210002405	6,25	8210002404	4,6	8210002403	3,1	8210002402	1,6
250	8210002411	11,1	8210002410	7,4	8210002409	5,6	8210002408	3,7	8210002407	1,9
300	8210002416	16,1	8210002415	10,7	8210002414	8	8210002413	5,4	8210002412	2,7
315	8210002421	18,2	8210002420	12,7	8210002419	9,1	8210002418	6,1	8210002417	4,5
350	8210002426	22	8210002425	14,6	8210002424	11	8210002423	7,3	8210002422	3,7
400	8210002431	28,6	8210002430	19,1	8210002429	14,3	8210002428	9,5	8210002427	4,8
450	8210002436	36,4	8210002435	24,2	8210002434	18,2	8210002433	12,1	8210002432	6,1
500	8210002441	44,9	8210002440	29,9	8210002439	22,4	8210002438	15	8210002437	7,5
550	8210002446	54,5	8210002445	26,2	8210002444	27,2	8210002443	18,1	8210002442	9,1
600	8210002451	64,7	8210002450	43,2	8210002449	32,4	8210002448	21,6	8210002447	10,8
630	8210002456	64,53	8210002455	51,39	8210002454	30,48	8210002453	21,18	8210002452	10,38
650	8210002461	82,11	8210002460	57,06	8210002459	44,16	8210002458	25,41	8210002457	12,66
700	8210002466	88,35	8210002465	58,95	8210002464	44,25	8210002463	29,55	8210002462	14,85
750	8210002471	101,55	8210002470	67,8	8210002469	51	8210002468	34,05	8210002467	17,25
800	8210002476	115,2	8210002475	76,8	8210002474	57,6	8210002473	38,4	8210002472	19,2
850	8210002481	130,2	8210002480	86,7	8210002479	65,1	8210002478	43,35	8210002477	21,75
900	8210002486	146,1	8210002485	97,5	8210002484	73,2	8210002483	48,75	8210002482	24,45
950	8210002491	161,55	8210002490	107,4	8210002489	80,25	8210002488	53,1	8210002487	26,1
1000	8210002496	180,3	8210002495	120,15	8210002494	90,15	8210002493	60,15	8210002492	30,03



2 halves incl. bolt and nut. Loose rubber ring RSRS included.
For dimensions of Ø 315 mm are supplied FSDB with adhesive for increased density.

FSDB & FSFE

Clips for 2.0 - 3.0 mm, mild steel.

Ø A	T mm	2mm Item no.	2mm Weight kg	T mm	3mm Item no.	3mm Weight kg
100	2	8210003899	1,2			
120	2	8210003900	1,4			
125	2	8210003901	1,4			
140	2	8210003902	1,5			
150	2	8210003903	1,6	3	8210003922	2,4
160	2	8210003904	1,8	3	8210003923	2,7
180	2	8210003905	2,1	3	8210003924	3,15
200	2	8210003906	2,4	3	8210003925	3,6
225	2	8210003907	2,8	3	8210003926	4,2
250	2	8210003908	3,3	3	8210003927	4,95
300	2	8210003910	4,2	3	8210003928	6,3
315	2	8210003920	4,6	3	8210003929	6,9
350	2	8210003911	5,4	3	8210003930	8,1
400	2	8210003912	6,7	3	8210003931	10,05
450	2	8210003913	9,1	3	8210003932	13,65
500	2	8210003914	10,5	3	8210003933	15,75
550	2	8210003915	12,3	3	8210003934	18,45
600	2	8210003916	13,4	3	8210003935	20,1
650	2	8210003918	15,2	3	8210003937	22,8
700	2	8210003919	17,0	3	8210003938	25,5
750	2	8210003920	17,5	3	8210003939	26,25
800	2	8210003921	18,0	3	8210003940	27

RRGD & RRGE



RRGD = T 2.0 mm
RRGE = T 3.0 mm

ORDER EXAMPLE:
Reducer MS 2mm
200FB RAL 7032
Generic



ROGD & ROGE

Ø 80 - 1000

Specify Ø, L&W and H

Priming and top coating RAL 7032, 50 microns, zinc content 70%.
Max. recommended operating temperature the surface treatment 80°C.

Priming and top coating RAL 7032, 50 microns. Max. recommended operating temperature of the surface 80°C. Standard version with clipped edge. Flanged version available upon request. Also manufactured to customers specification.

Ø A	L mm	T mm	2mm Item no.	2mm Weight kg	T mm	3mm Item no.	3mm Weight kg
100	50	2	8210003334	1,2			
120	50	2	8210003335	1,64			
125	50	2	8210003336	1,76			
140	65	2	8210003337	2,13			
150	65	2	8210003338	2,4	3	8210003357	3,59
160	65	2	8210003339	2,68	3	8210003358	4,03
180	75	2	8210003340	3,3	3	8210003359	4,96
200	80	2	8210003341	3,98	3	8210003360	5,97
225	100	2	8210003342	4,92	3	8210003361	7,38
250	100	2	8210003343	5,96	3	8210003362	8,92
300	125	2	8210003344	8,32	3	8210003363	12,47
315	125	2	8210003345	9,09	3	8210003364	13,64
350	125	2	8210003346	11,07	3	8210003365	16,6
400	150	2	8210003347	14,21	3	8210003366	21,31
450	200	2	8210003348	17,74	3	8210003367	26,6
500	225	2	8210003349	21,66	3	8210003368	32,49
550	250	2	8210003350	25,97	3	8210003369	38,96
600	300	2	8210003351	30,68	3	8210003370	46,02
650	300	2	8210003353	35,77	3	8210003372	53,65
700	300	2	8210003354	40,65	3	8210003373	60,98
750	300	2	8210003355	47,12	3	8210003374	70,69
800	300	2	8210003356	53,39	3	8210003375	80,08



HSAD & HSAE

HSAD = T 2.0 mm
HSAE = T 3.0 mm

ORDER EXAMPLE:
Branch Y MS 2mm
180FB RAL 7032
Generic

Priming and top coating RAL 7032, 50 microns, the zinc content of 70%. Max. recommended operating temperature of the surface 80°C. Standard version with clipped edge. Flanged version available upon request.



GSAD & GSAE

Priming and top coating RAL 7032, 50 microns, the zinc content of 70%. Max. The preferred operating temperature for the surface treatment 80°C. Standard design with clipped edge. Manufactured in 15°, 30°, 45°, 60° and 90°. Flanged version available upon request. Also manufactured to customers specification.

Ø A	T mm	Item no. 2mm	2mm Weight kg	T mm	Item no. 3mm	3mm Weight kg
100	2	8210003292	1,54			
120	2	8210003293	2,09			
125	2	8210003294	2,24			
140	2	8210003295	2,72			
150	2	8210003296	3,06	3	8210003315	4,59
160	2	8210003297	3,43	3	8210003316	5,14
180	2	8210003298	4,22	3	8210003317	6,33
200	2	8210003299	5,08	3	8210003318	7,63
225	2	8210003300	6,28	3	8210003319	9,42
250	2	8210003301	7,6	3	8210003320	11,4
300	2	8210003302	10,62	3	8210003321	15,93
315	2	8210003303	11,61	3	8210003322	17,42
350	2	8210003304	14,13	3	8210003323	21,19
400	2	8210003305	18,14	3	8210003324	27,21
450	2	8210003306	22,65	3	8210003325	33,97
500	2	8210003307	27,66	3	8210003326	41,48
550	2	8210003308	33,17	3	8210003327	47,29
600	2	8210003309	39,17	3	8210003328	58,76
650	2	8210003311	45,67	3	8210003330	68,5
700	2	8210003312	51,91	3	8210003331	77,86
750	2	8210003313	60,17	3	8210003332	90,25
800	2	8210003314	68,16	3	8210003333	102,24



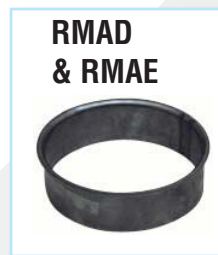
RBAD & RBFD

ORDER EXAMPLE:
End Cap MS 2mm 450mm RAL 7032

Priming and top coating RAL 7032, 50 microns, zinc content 70%. max recommended operating temperature the surface treatment 80°C.

Ø	2mm Clipped Item no.,	Weight kg	3mm Flanged Item no.,
100	8210003391	0,16	
120	8210003392	0,22	
125	8210003393	0,23	
140	8210003394	0,29	
150	8210003395	0,33	
160	8210003396	0,37	
180	8210003397	0,46	
200	8210003398	0,56	
225	8210003399	0,70	
250	8210003400	0,95	
300	8210003401	1,23	
315	8210003402	1,34	
350	8210003403	1,65	
400	8210003404	2,13	
450	8210003405	2,58	
500	8210003406	3,29	

Contact Nordfab



RMAD & RMAE

ORDER EXAMPLE:
Adapter Smooth MS 2mm 350FB L=45mm Unpainted

Welded on pipe systems for obtaining clipped edge or flange edge. Unpainted.

Ø	2mm Item no.	Weight, kg	3mm Item no.	Weight, kg	L mm
80	8210003768	0,2			
100	8210003769	0,25			
120	8210003770	0,3			
125	8210003771	0,31			
140	8210003772	0,35			
150	8210003773	0,37	8210003788	0,56	45
160	8210003774	0,39	8210003789	0,59	45
180	8210003775	0,44	8210003790	0,66	45
200	8210003776	0,49	8210003791	0,75	45
225	8210003777	0,55	8210003792	0,83	45
250	8210003778	0,62	8210003793	0,93	45
300	8210003779	0,74	8210003794	1,11	45
315	8210003780	0,78	8210003795	1,17	45
350	8210003781	0,86	8210003796	1,32	45
400	8210003782	0,99	8210003797	1,49	45
450	8210003783	1,11	8210003798	1,67	45
500	8210003784	1,23	8210003799	1,85	50
550	8210003785	1,36	8210003800	2,04	50
600	8210003786	1,48	8210003801	2,23	50
630	8210003787	1,55			

Manual & Automatic Diverter Valves

Designed for quick changes between two streams and ideal for conveying dust particulate, our diverters meet EU's machinery directive (98/37/EC) and as standard are manufactured in 2 and 3 mm painted mild steel.

Operation

- The damper should be connected to clean and dry compressed air
- Normal working pressure: 0.6 MPa (6 bar)
- Maximum pressure: 1.0 MPa (10 bar)
- Temp. range: 80° C (dry air 20° C)

Finish

- RAL5010 blue

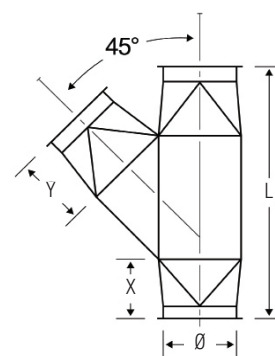


RGSM Manual Diverter / RGBM Automatic Diverter

MS 2 and 3mm 45Deg RAL 5010

Ø mm	RGSM Item No.	RGBM Item No.	L mm	X mm	Y mm	Damper blade thickness	Weight RGSM	Weight RGBM
125	8210000842	8210000827	400	110	110	4	3,2	7,3
150	8210000844	8210000829	495	145	145	5	4,6	9,0
160	8210000845	8210000830	495	145	145	5	4,7	9,2
180	8210000846	8210000831	560	145	145	5	8,4	12,9
200	8210000847	8210000832	560	145	145	5	8,5	13,5
250	8210000849	8210000834	855	250	250	5	14,1	19,1
300	8210000850	8210000835	940	250	250	5	19,2	24,2
350	8210000852	8210000837	1000	250	250	6	23,9	28,9
400	8210000853	8210000838	1070	295	295	6	36,5	42,5
450	8210000854	8210000839	1125	295	295	6	40,8	46,7
500	8210000855	8210000840	1315	295	295	6	53,6	59,7

ORDER EXAMPLE:
Diverter RGSM Manual MS 2 and 3mm 350QF 45Deg RAL 5010

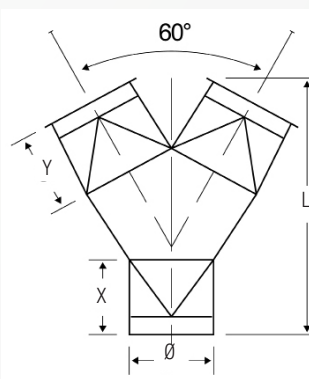


RGSL Manual Diverter / RGLB Automatic Diverter

MS 2 and 3mm 60Deg RAL 5010

Ø A mm	RGSL Item No.	RGLB Item No.	L mm	X mm	Y mm	Damper blade thickness	Weight RGSL	Weight RGLB
125	8210000870	8210000856	330	110	110	4	3,2	7,2
150	8210000872	8210000858	455	145	145	5	4,6	9,0
160	8210000873	8210000859	455	145	145	5	4,7	9,1
180	8210000874	8210000860	525	145	145	5	8,4	12,9
200	8210000875	8210000861	525	145	145	5	8,5	13,4
250	8210000877	8210000863	820	250	250	5	14,1	19,1
300	8210000878	8210000864	900	250	250	5	19,1	24,2
350	8210000880	8210000866	880	250	250	6	23,9	28,9
400	8210000881	8210000867	930	295	295	6	36,4	42,5
450	8210000882	8210000868	965	295	295	6	40,8	46,8
500	8210000883	8210000869	1040	295	295	6	53,6	59,7

ORDER EXAMPLE:
Diverter Y RGLB Automatic MS 2 and 3mm 200QF 60Deg RAL 5010





General Conditions of Sale

Shipping and Packaging

An additional charge for shipping and packaging may be applied.

Delivery Times

Order with parts available at stock and manufactured parts will be shipped in 1 - 2 days after order receipt.

Upon Receipt of Delivery

Please check the number of packages and that all components are intact before signing the waybill. If you are not completely satisfied with your order, please contact us.

Contact Mail Order:
salesdk@nordfab.com

Contact Phone Order:
+45 86 47 11 00

Internet:
www.nordfab.com

Conditions for Returning goods

Please contact us before returning goods. email salesdk@nordfab.com, phone +45 86 47 11 00. When returning goods, please enclose a copy of the original invoice or delivery note. Returns without agreement and/or attached documents will not be credited. Undamaged standard items should be returned in original packaging. 30% restocking charge apply. Delivery charges for returned items are to be paid by the customer.

Tracking Goods

Please use the waybill number on your current bill to track goods. Goods can be tracked using:

DHL Customer service
visit www.dhl.com.

Schenker
Phone terminal on each city or
visit www.schenker.com.

Other companies
Phone terminal on each city.

Price, product and technological changes

We reserve the right to change our prices at any time.

To ensure you have the latest product information, please check our website www.nordfab.com.

Hours of Operation

Weekdays 7:00 to 16:00.

Steel Mill Certifications

Requests for mill certificates must be requested in advance of order placement..

Ask about Nordfab's easy-to-use tools for designing and selling duct systems

- NordCAD™ for Layouts
- QTO™ for Quoting



Nordfab Europe sales and manufacturing facility in Assens Mariager, Denmark.

Contact
Order by Phone +45 86 47 11 00
Order by email salesdk@nordfab.com

www.nordfab.com

