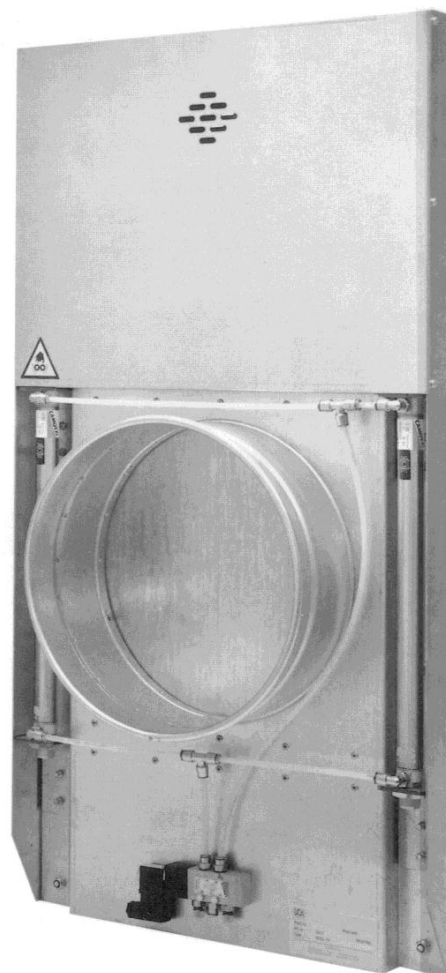


## Sliding damper / Blast Gate

# NFES Ø 450-710

Version: 02:2022



### Original user manual

EN USER MANUAL

### Translation of original user manual

CS NÁVOD K OBSLUZE  
DA BETJENINGSVEJLEDNING  
DE BEDIENUNGSANLEITUNG  
ES MANUAL DE INSTRUCCIONES  
FI KÄYTTÖOHJEET  
FR MANUEL D'INSTRUCTION  
IT MANUALE D'ISTRUZIONE  
NL HANDLEIDING  
NO BRUKSANVISNING  
PL INSTRUKCJA UŻYTKOWANIA  
PT MANUAL DE INSTRUÇÕES  
SV ANVÄNDARMANUAL



Declaration of conformity .....	4
Figures .....	7
English .....	11
Český .....	17
Dansk.....	28
Deutsch .....	39
Español.....	51
Suomi.....	63
Français .....	74
Italiano .....	86
Nederlands .....	98
Norsk .....	109
Polski .....	120
Português .....	132
Svenska.....	144

# Declaration of conformity

## EN English

### Declaration of conformity

We Nordfab Europe A/S declare under our sole responsibility that the Nordfab product:

NFES Ø 450-710 (Part No. \*\* and stated versions of \*\*) to which this declaration relates is in conformity with all the relevant provisions of the following directives and standards:

#### Directives

2006/42/EC 2014/30/EU 2014/34/EU.

#### Standards

EN ISO 12100:2010 EN 60204-1:2006 EN 60204-1:2006/A1:2009 EN 1127-1:2011 EN 60079-0:2012 EN ISO 80079-36:2016 EN ISO 80079-37:2016 .

The name and signature at the end of this document is the person responsible for both the declaration of conformity and the technical file.

## CS Čeština

### Prohlášení o shodě

My společnost Nordfab Europe A/S prohlašujeme na svou zodpovědnost že výrobek Nordfab:

NFES Ø 450-710 (díl č. \*\* a uvedla verze \*\*) ke kterému se toto prohlášení vztahuje je v souladu se všemi příslušnými ustanoveními následujících směrnic a norem:

#### Směrnice

2006/42/EC 2014/30/EU 2014/34/EU.

#### Normy

EN ISO 12100:2010 EN 60204-1:2006 EN 60204-1:2006/A1:2009 EN 1127-1:2011 EN 60079-0:2012 EN ISO 80079-36:2016 EN ISO 80079-37:2016 .

Na konci tohoto dokumentu je jméno a podpis osoby zodpovědné za prohlášení o shodě a soubor technické dokumentace.

## DA Dansk

### Overensstemmelseserklæring

Nordfab Europe A/S erklærer som eneansvarlige at følgende produkt fra Nordfab:

NFES Ø 450-710 (Artikel nr. \*\* og erklærede versioner af \*\*) som denne erklæring vedrører er i overensstemmelse med alle de relevante bestemmelser i de følgende direktiver og standarder:

#### Direktiver

2006/42/EC 2014/30/EU 2014/34/EU.

#### Standarder

EN ISO 12100:2010 EN 60204-1:2006 EN 60204-1:2006/A1:2009 EN 1127-1:2011 EN 60079-0:2012 EN ISO 80079-36:2016 EN ISO 80079-37:2016 .

Navnet og underskriften sidst i dette dokument tilhører den person der er ansvarlig for såvel overensstemmelseserklæringen som den tekniske dokumentation.

## DE Deutsch

### Konformitätserklärung

Wir Nordfab Europe A/S erklären in alleiniger Verantwortung dass das Nordfab Produkt

NFES Ø 450-710 (Art.-Nr. \*\* und bauartgleiche Versionen \*\*) auf welches sich diese Erklärung bezieht mit allen einschlägigen Bestimmungen der folgenden Richtlinien und Normen übereinstimmt:

#### Richtlinien

2006/42/EC 2014/30/EU 2014/34/EU

#### Normen

EN ISO 12100:2010 EN 60204-1:2006 EN 60204-1:2006/A1:2009 EN 1127-1:2011 EN 60079-0:2012 EN ISO 80079-36:2016 EN ISO 80079-37:2016 .

Name und Unterschrift am Dokumentende geben diejenige Person an die für die Konformitätserklärung und die technische Dokumentation verantwortlich ist.

## ES Español

### Declaración de Conformidad

Nosotros Nordfab Europe A/S declaramos bajo nuestra única responsabilidad que el producto Nordfab:

El producto NFES Ø 450-710 (Ref. nº \*\* y las versiones basadas \*\*) al que hace referencia esta declaración cumple con todas las disposiciones aplicables de las Directivas y normas que se indican a continuación:

#### Directivas

2006/42/EC 2014/30/EU 2014/34/EU.

#### Normas

EN ISO 12100:2010 EN 60204-1:2006 EN 60204-1:2006/A1:2009 EN 1127-1:2011 EN 60079-0:2012 EN ISO 80079-36:2016 EN ISO 80079-37:2016 .

El nombre y firma que figuran al final de este documento corresponden a la persona responsable tanto de la declaración como de la ficha técnica.

## FI Suomi

### Vaativuudenmukaisuusvakuutus

Me Nordfab Europe A/S vakuutamme yksinomaan omalla vastuullamme että Nordfab -tuote

NFES Ø 450-710 (tuotenro \*\* ja totesi versioita \*\*) jota tämä vakuutus koskee on seuraavien direktiivien ja standardien kaikkien asianmukaisten säännösten mukainen:

#### Direktiivit:

2006/42/EC 2014/30/EU 2014/34/EU.

#### Standardit

EN ISO 12100:2010 EN 60204-1:2006 EN 60204-1:2006/A1:2009 EN 1127-1:2011 EN 60079-0:2012 EN ISO 80079-36:2016 EN ISO 80079-37:2016 .

Tämä asiakirjan lopussa oleva nimi ja allekirjoitus ovat henkilön joka vastaa sekä vaatimuksenmukaisuusvakuutuksesta että teknisestä tiedostosta.

## FR Français

### Déclaration de conformité

Nous Nordfab Europe A/S déclarons sous notre seule responsabilité que le produit Nordfab :

NFES Ø 450-710 (Réf. \*\* et les modèles basés sur les réf. \*\*) auquel fait référence la présente déclaration est en conformité avec toutes les dispositions applicables des directives et normes suivantes :

#### Directives

2006/42/EC 2014/30/EU 2014/34/EU.

#### Normes

EN ISO 12100:2010 EN 60204-1:2006 EN 60204-1:2006/A1:2009 EN 1127-1:2011 EN 60079-0:2012 EN ISO 80079-36:2016 EN ISO 80079-37:2016 .

Le nom et la signature en bas de ce document appartiennent à la personne responsable de la déclaration de conformité et du fichier technique.

## IT Italiano

### Dichiarazione di conformità

AB Nordfab Europe A/S dichiara sotto la propria esclusiva responsabilità che il prodotto Nordfab:

NFES Ø 450-710 (Art. N. \*\* e le versioni di detto \*\*) al quale è relativa la presente dichiarazione è conforme alle disposizioni delle seguenti direttive e normative: **Direttive**

2006/42/EC 2014/30/EU 2014/34/EU.

#### Normative

EN ISO 12100:2010 EN 60204-1:2006 EN 60204-1:2006/A1:2009 EN 1127-1:2011 EN 60079-0:2012 EN ISO 80079-36:2016 EN ISO 80079-37:2016 .

Il nome e la firma in calce al presente documento appartengono al responsabile della dichiarazione di conformità e della documentazione tecnica.

## NL Nederlands

### Conformiteitsverklaring

Wij Nordfab Europe A/S verklaren in uitsluitende aansprakelijkheid dat het product van Nordfab:

NFES Ø 450-710 (Artikelnr. \*\* en verklaarde versies van \*\*) waarop deze verklaring van toepassing is in overeenstemming is met alle relevante voorschriften van de volgende richtlijnen en normen:

#### Richtlijnen

2006/42/EC 2014/30/EU 2014/34/EU.

#### Normen

EN ISO 12100:2010 EN 60204-1:2006 EN 60204-1:2006/A1:2009 EN 1127-1:2011 EN 60079-0:2012 EN ISO 80079-36:2016 EN ISO 80079-37:2016 .

Naam en handtekening onder dit document zijn van degene die verantwoordelijk is voor zowel de Verklaring van Overeenstemming als het technische document.

## NO Norsk

### Samsvarserklæring

Vi Nordfab Europe A/S erklærer på eget ansvar at Nordfab produkt:

NFES Ø 450-710 (Del nr. \*\* og uttalte versjoner av \*\*) som denne erklæringen gjelder for er i overensstemmelse med følgende direktiver og standarder: **Direktiver**

2006/42/EC 2014/30/EU 2014/34/EU.

#### Standarder

EN ISO 12100:2010 EN 60204-1:2006 EN 60204-1:2006/A1:2009 EN 1127-1:2011 EN 60079-0:2012 EN ISO 80079-36:2016 EN ISO 80079-37:2016 .

Navnet og signaturen til slutt i dette dokumentet tilhører vedkommende som er ansvarlig for både samsvarserklæringen og den tekniske filen.

## PL Polski

### Deklaracja zgodności

Firma Nordfab Europe A/S niniejszym deklaruje z pełną odpowiedzialnością że oferowany przez nią produkt NFES Ø 450-710 (nr części \*\* i oznaczenie wersji \*\*) do którego odnosi się ta deklaracja spełnia wszystkie odpowiednie wymagania poniższych dyrektyw i norm:

#### Dyrektywy

2006/42/EC 2014/30/EU 2014/34/EU.

#### Normy

EN ISO 12100:2010 EN 60204-1:2006 EN 60204-1:2006/A1:2009 EN 1127-1:2011 EN 60079-0:2012 EN ISO 80079-36:2016 EN ISO 80079-37:2016 .

Na końcu niniejszego dokumentu znajdują się imię, nazwisko oraz podpis osoby odpowiedzialnej za deklarację zgodności oraz dokumentację techniczną.

## PT Português

### Declaração de conformidade

Nós Nordfab Europe A/S declaramos sob nossa inteira responsabilidade que o produto Nordfab:

NFES Ø 450-710 (Artigo nº \*\* e as versões do indicado \*\*) ao qual esta declaração se refere está em conformidade com todas as disposições relevantes das seguintes diretivas e normas:

#### Directivas

2006/42/EC 2014/30/EU 2014/34/EU.

#### Normas

EN ISO 12100:2010 EN 60204-1:2006 EN 60204-1:2006/A1:2009 EN 1127-1:2011 EN 60079-0:2012 EN ISO 80079-36:2016 EN ISO 80079-37:2016 .

O nome e a assinatura no final deste documento são os da pessoa responsável pela declaração de conformidade e pelo ficheiro técnico.

**Försäkran om överensstämmelse**

Vi Nordfab Europe A/S försäkrar under eget ansvar att Nordfab - produkten: NFES Ø 450-710 (artikelnr \*\* och fastställda versioner av \*\*) som denna försäkran avser överensstämmer med alla tillämpliga bestämmelser i följande direktiv och standarder:

**Direktiv**

2006/42/EC 2014/30/EU 2014/34/EU.

**Standarder**

EN ISO 12100:2010 EN 60204-1:2006 EN 60204-1:2006/A1:2009 EN 1127-1:2011 EN 60079-0:2012 EN ISO 80079-36:2016 EN ISO 80079-37:2016 .

Namn och namnteckningen i slutet av detta dokument är den person som ansvarar både för försäkran om överensstämmelse och för den tekniska dokumentationen.

**\*\* Item/part number**

8210001982	Damper Energy S Aut Galv 450FLN 230VAC
8210000779	Damper Energy S Aut Galv 450QF 230 VAC
8210001983	Damper Energy S Aut Galv 500FLN 230VAC
8210000780	Damper Energy S Aut Galv 500QF 230 VAC
8210001984	Damper Energy S Aut Galv 560FLN 230VAC
8210000781	Damper Energy S Aut Galv 560QF 230 VAC
8210001985	Damper Energy S Aut Galv 630FLN 230VAC
8210000782	Damper Energy S Aut Galv 630QF 230 VAC
8210001986	Damper Energy S Aut Galv 710FLN 230VAC
8210000783	Damper Energy S Aut Galv 710QF 230 VAC

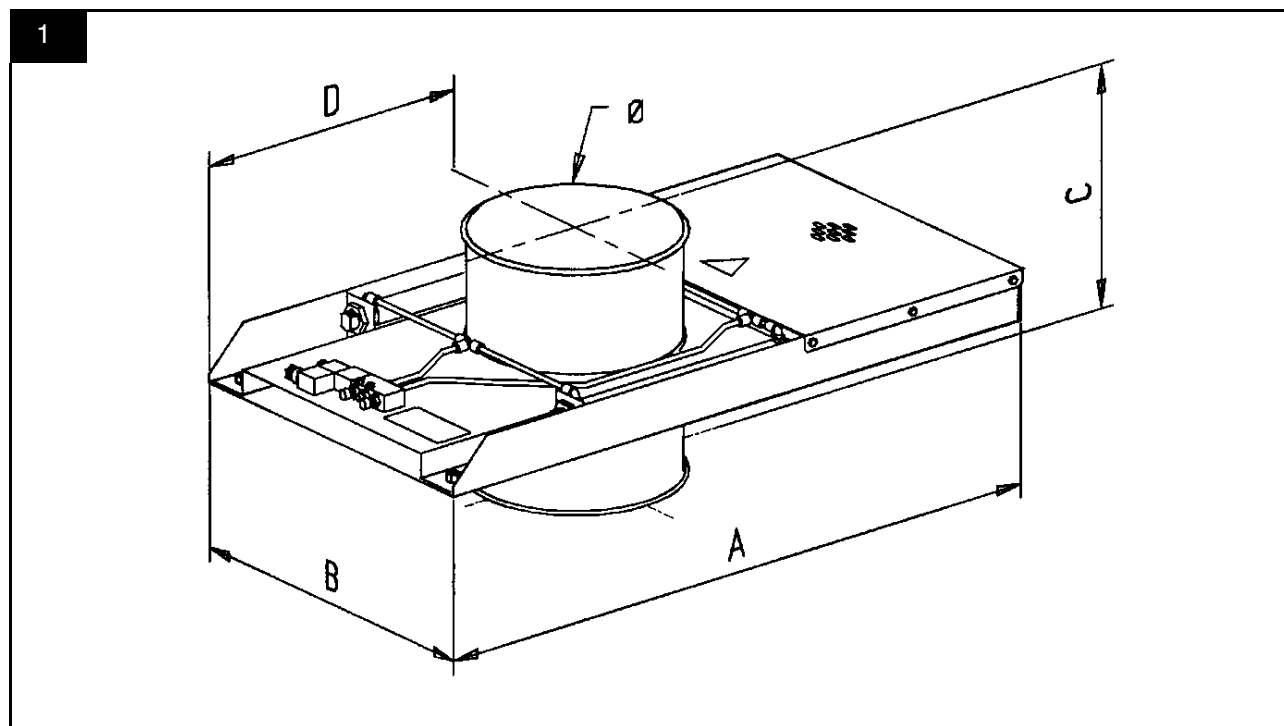
Signature



Nordfab Europe A/S  
 Industrivej 13 Assens  
 DK-9550 Mariager  
 Denmark

Peter Åberg  
 Managing Director  
 2022-09-23





SPECIFICATIONS					
2 pcs. Pneumatic cylinders					
	Ø 450	Ø 500	Ø 560	Ø 630	Ø 710 *
A	1240	1340	1460	1730	1808
B	641	691	751	821	901
C	300	300	300	300	300
D	460	485	515	575	615
Art. No. QF	23073.450	23073.500	23073.560	23073.630	23073.710
Art. No. FL	23373.450	23373.500	23373.560	23373.630	23373.710
Weight kg	40	45	54	68	88
Connection	Delivered with QF connection or flange connection				
Mounting	Delivered incl. 2 pcs. of QF clamps or 2 pcs. of flanges				
Connection	Compressed air, ø6 mm, working pressure 6 – 8 bar Voltage 220 V (can be delivered for another voltage or compressed air control).				
Lubrication	The automatism is life lubricated and no lubrication is required.				
Extra accessories	Time delay for closure, with interval from 0 – 30 sec. (pneumatically integrated)				
ATEX	Interior	Any zone (no ignition source)			
	Exterior	Standard version – for non-zone installation Zone 22/2 or 21/1 – on request (special version)			
*	Only 92% open when fully open.				



## English User Manual

### Table of contents

Declaration of conformity	4-6
Figures	7-8
1 Product marking.....	8
2 Preface .....	8
3 Safety .....	9
4 Technical data.....	9
5 Description .....	9
5.1 Models .....	10
6 Description ATEX products .....	10
6.1 Main components .....	10
7 Function .....	11
8 Installation .....	11
8.1 Electrical installation.....	11
8.2 Connections .....	12
8.3 Directions for use.....	12
8.4 Maintenance.....	13
8.5 Service and Maintenance of ATEX equipment .....	13
9 Accessories .....	14
9.1 Spare parts .....	15
9.2 Recycling .....	15

# 1 Product marking

The NFES Ø 450-710 (see Description ATEX-products) 24V AC/DC are not ATEX-classified and are only marked with the CE label.

The NFES Ø 450-710 115V AC 230V AC 24V DC are ATEX classified and marked:

II 3D Ex h IIIC T85°C Dc  
 0°C≤Ta≤40°C  
 Nordfab 19.HB06

Part	Explanation
II:	Equipment group (non mining)
h:	The letter "h" as specified in EN ISO 80079-36.
IIIC:	Equipment of Group III is intended for use in places with an explosive dust atmosphere other than mines susceptible to firedamp.  Equipment of Group III is subdivided according to the nature of the explosive dust atmosphere for which it is intended.  Group III subdivisions: <ul style="list-style-type: none"> <li>• IIIA: suitable for combustible flyings;</li> <li>• IIIB: suitable for combustible flyings and non-conductive dust;</li> <li>• IIIC: suitable for combustible flyings non-conductive dust and conductive dust.</li> </ul>
T85°C	The maximum surface temperature in degrees Celsius.
Dc:	Equipment protection level Dc. Same as old 3D marking.  For explosive atmospheres caused by mixtures of air and combustible dusts the equipment does not contain any effective ignition sources in normal operation and expected malfunctions.
0°C≤Ta≤40°C	Ambient temperature range.

## Type of Protection constructional safety "c"

Technical documentation contains the information required to maintain the product safety.

# 2 Preface

Read this manual carefully before installation use and service of this product. Replace the manual immediately if lost. Nordfab reserves the right, without previous notice, to modify and improve its products including documentation.

This product is designed to meet the requirements of relevant EC directives. To maintain this status all installation maintenance and repair is to be done by qualified personnel using only Nordfab original spare parts and accessories. Contact the nearest authorized distributor or Nordfab for advice on technical service and obtaining spare parts. If there are any damaged or missing parts when the product is delivered notify the carrier and the local Nordfab representative immediately.



### 3 Safety

This document contains important information that is presented either as a warning caution or note. See the following examples:



**WARNING! Risk of personal injury.**

Warnings indicate a potential hazard to the health and safety of personnel, and how that hazard may be avoided.



**CAUTION! Risk of equipment damage.**

Cautions indicate a potential hazard to the product but not to personnel, and how that hazard may be avoided.



**NOTE!** Notes contain other information that is important for personnel.

### 4 Technical data

Table 4-1: Dimensions

Item	Dimension
Maximum pressure	1 MPa (10 bar)
Minimum pressure (for safe operation)	0.5 MPa (5 bar)
Recommended pressure	0.6 - 0.7 MPa (6 - 7 bar)
Air quality	ISO 8573-1 class 5
Working temperature	0 – 40 °C
Wiring gauge	minimum 0.75 mm <sup>2</sup>
Solenoid voltages	115 V AC (+10% -15%) 230 V AC (+10% -15%) 24 V DC (+ -10%) or 24 V AC/DC (not ATEX)
Frequency	50 / 60 Hz for AC
Equipment type	II 3D Ex h IIIC T85°C Dc 0°C≤Ta≤40°C

### 5 Description

The NFES energy saving damper is used within wood and metal working industries as a closing damper in exhaust systems when some machines, workplaces or pipelines are not in use.

The energy saving damper type NFES is an automatic blast gate driven by double acting compressed air cylinders. Diameter Ø450-710.

The energy saving damper is made of galvanized steel sheet and equipped with a specially built gasket device, which ensures low friction and optimal tightness. The damper is electronically activated.

## 5.1 Models

See figure 1  
 Spigot with rolled edge QF/FB

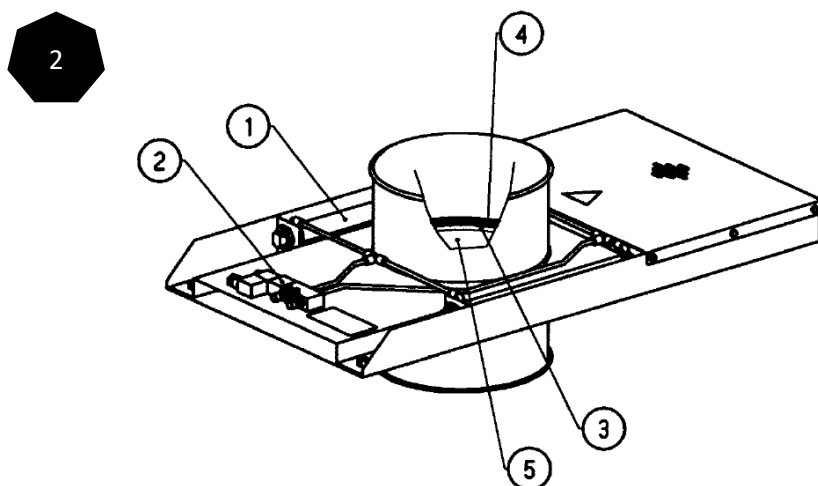
## 6 Description ATEX products

If the damper is installed and connected correctly according to manual, the damper has no ignition source and can therefore be fitted within all interior ATEX-zones. If to be installed within ATEX-zones, the electrical components must be marked according to relevant zone.

### 6.1 Main components

Figure 2 shows a NFES Ø 450-710

1. Compressed air cylinder
2. Magnetic valve
3. Packing ring
4. Sponge rubber ring
5. Damper plate



## 7 Function

NFES is a valve for automatic opening and closing of a vacuum outlet linked to a central vacuum system or over pressure. The valves are normally automatic they open and close governed by a control device. See figure 1 for examples of how NFES can be used.

## 8 Installation

Fit the valve "in line" in the vacuum pipe or direct on the equipment that it is to serve. Conducting joint sleeves for pipework are to be used.



**CAUTION! Risk of equipment damage.**

The valve must not bare the load of connection pipes or other connections which may cause defects on the valve. Make sure the connections are firmly installed against the wall, ceiling, floor or suchlike. Hose connections must be strain relieved.

The compressed air pipes must be blown clean before fitting the valve. New compressed air pipes always contain dirt which could cause operational disturbance. Wear ear protection and safety goggles. A moisture and dirt trap must be installed if compressed air is of poor quality. An oil mist lubricating device is not required.

### 8.1 Electrical installation

To ensure proper function and required level of protection with regards to the equipment category make sure that the following points are checked:

- Electrical installation and connection of the magnetic valve must be done by a certified electrician. A certified electrician must also pay attention to the conditions for installations in zones classified according to ATEX.
- Check that proper measures have been taken to avoid all types of electrical stray currents to and/or from the piping system and electrical wiring. Note that the NFES Ø 450-710 housing must be properly grounded.
- Connected hoses or piping must be conductive and grounded.
- Check that the correct voltage is connected to the solenoid of the magnetic valve. Check the marking on the solenoid.
- Electrical options like micro switches must be connected to an intrinsic safe circuit (for options installed in ATEX classified zones).

## 8.2 Connections



### **WARNING! Risk of personal injury.**

- Maximum recommended air pressure is 1 MPa (10 bars). A pressure regulator must be installed if the pressure is likely to exceed the maximum pressure. Recommended working pressure is 0,6-0,7 MPa (6-7 bars). Min. pressure for a reliable function is 0.5 MPa (5 bars).
  - Compressed air hoses must be approved for the actual pressure and must be securely fastened to the valve nipples. Hose clips must be fitted correctly.
  - The valve is designed for vacuum, ie, it should only be installed in systems working with negative pressure compared to atmosphere.
- 
- NFES Ø 450-710 is not fitted with its own control device. It is intended for direct control with a remote 3-port pilot valve (option).
  - NFES Ø 450-710 a solenoid valve control device. The solenoid voltage must match the signal voltage. Standard voltage is 24 42 230 V AC and 24 V DC. The power is 5 VA or 5 W.

## 8.3 Directions for use



### **WARNING! Risk of personal injury.**

- Keep fingers clear off the vacuum connections when the valve is connected to compressed air. The spring that closes the valve is strong enough to cause discomfort.
- Make sure the system does not transport material which can damage the NFES Ø 450-710 valve.
- If an unexpected object comes into the system, shut the compressed air supply to the valve immediately and remove the object.
- The valve must not be put into service until the valve inlet and outlet are connected to fixed pipes or hoses that are at least 1 meter long.

## 8.4 Maintenance

For service and technical support please contact Nordfab Europe A/S



### **WARNING! Risk of personal injury.**

- Maintenance work may not be started until the total system has been stopped in a correct manner, and until the power supply has been cut in a safe manner, for instance by locking the main switch.
- Inspection of the filter hopper section by opening the inspection doors may not be performed until the filter cleaning system has been activated thoroughly, and the hopper section emptied of material. In this connection, it must be checked whether the cleaning has been adequate by examining the residual dust settlement on the filter bags.
- Inspection by opening inspection doors and similar may only be performed when personal safety equipment, adapted to the conditions, is used.
- If a movable ladder is used for the work, it must be secured correctly for stability before commencing the work.
- To prevent generation of static electricity in the filter system, it must be ensured that the filter and the connected dust etc. are duly earthed.
- Open fire, sparking or some other form of heat generation such as: Welding, grinding, drilling / boring or smoking, etc. may not take place closer than 3 metres to filters etc. working with an explosive atmosphere, such as dust laden air.
- It must be ensured that cleaning performed on and around filters etc. to prevent fire and explosive dust waste from igniting and causing heavy damage.

## 8.5 Service and Repair

Service and repair may be performed by specially trained staff only. Before starting any work, the energy supply must be switched off at the main switch, and it must be ensured that any unintended restarting cannot occur, for instance by locking the main switch. Accumulated energy, such as in compressed air system, must also be switched off, possibly discharged altogether, before commencing the work.

For service and repair work making it necessary to be in dust laden air, for instance in the filter hopper section, the following safety equipment must be used:

1. Respiratory Protective Device, possibly with fresh air supply.
2. Goggles, possibly a screen mask in connection with fresh air supply.
3. Fire-Retardant Suit.
4. Fire-Retardant Working Gloves.
5. Safety Footwear.
6. Safety Helmet.
7. Non-Sparking Tools wherever possible.

Inspection of the filter bags when staying at the filter top after opening of the explosion relief doors may be performed only when the filter system has stopped. For this purpose, the personal safety equipment referred to above must also be used.

If the filter or similar is cleaned by a vacuum cleaner, protection must be established against static electric charging in the suction arrangement.

Boring of holes in filter housing or adjoining pipe ducts may be made only when the system has stopped and been cleaned, while taking great care and without heat generation.

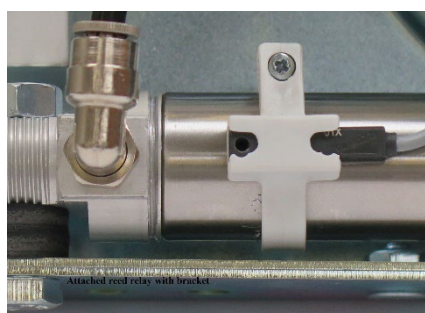
If any fault(s) should occur in the electric system, stopping the system, and restart is disconnected, the faulty component may not be by-passed to allow for further operation. Proper troubleshooting and repair must be performed before restarting.

Disposal of replaced components, dust/waste from cleaning, as well as other waste, must be performed to the guidelines for the particular materials. These guidelines have normally been established by the local authorities. In case of doubt, the person responsible for company safety must be consulted.

## 9 Accessories

### Reed relays in pair and brackets

Item number	Item Name
8210002005	Reed switch relay CST-220 Damper 10-110VDC/10-230VAC 0,25A 8W/10VA Non Atex
8111404	Reed switch relay CST-332 Ex Damper 10-110V DC/10-230V AC 0,25A 8W/10VA class II 3G/D Zone 2/22 -10 - +80°C Atex



Please visit our webpage [www.nordfab.com](http://www.nordfab.com) for technical data sheet and assembling instructions

### Coil

Item number	Item Name
8210001600	Coil 230VAC G80-B-810
8210001601	Coil 230VDC Atex Zone 22
8210001602	Coil 24VDC EX II 3D
8210001604	Coil 110VAC 7.5W

## 9.1 Spare parts

**CAUTION! Risk of equipment damage.**

Use only Nordfab original spare parts and accessories.

Contact your nearest authorized distributor or Nordfab for advice on technical service or if you require help with spare parts. See also [www.nederman.com](http://www.nederman.com).

**Ordering spare parts**

When ordering spare parts always state the following:

- Part number and control number (see the product identification plate).
- Detail number and name of the spare part (see [www.nordfab.com](http://www.nordfab.com)).
- Quantity of the parts required.

## 9.2 Recycling

The product has been designed for component materials to be recycled. Its different material types must be handled according to relevant local regulations. Contact the distributor or Nordfab if uncertainties arise when scrapping the product at the end of its service life.



## Posuvná klapka / šoupátko **NFES Ø 450–710**

Verze: 02:2022



### Originální návod k obsluze

EN USER MANUAL

### Překlad originálního návodu k obsluze

CS NÁVOD K OBSLUZE  
DA BETJENINGSVEJLEDNING  
DE BEDIENUNGSANLEITUNG  
ES MANUAL DE INSTRUCCIONES  
FI KÄYTTÖOHJEET  
FR MANUEL D'INSTRUCTION  
IT MANUALE D'ISTRUZIONE  
NL HANDLEIDING  
NO BRUKSANVISNING  
PL INSTRUKCJA UŻYTKOWANIA  
PT MANUAL DE INSTRUÇÕES  
SV ANVÄNDARMANUAL





## Česky

### Návod k obsluze

## Obsah

Prohlášení o shodě	4–6
Obrázky	7–8
1 Označení produktu	19
2 Úvod	19
3 Bezpečnost	20
4 Technické údaje	20
5 Popis	20
5.1 Modely	21
6 Popis produktů ATEX	21
6.1 Hlavní součásti	21
7 Funkce	22
8 Instalace	22
8.1 Elektrická instalace	22
8.2 Přípojky	23
8.3 Pokyny k použití	23
8.4 Údržba	24
8.5 Servis a údržba zařízení dle ATEX	24
9 Příslušenství	26
9.1 Náhradní díly	27
9.2 Recyklace	27

## 1 Označení produktů

Modely NFES Ø 450–710 (viz Popis produktů dle ATEX) 24V AC/DC nejsou klasifikovány podle ATEX a jsou označeny pouze štítkem CE.

Modely NFES Ø 450–710 115 V AC 230 V AC 24 V DC jsou klasifikovány a označeny dle ATEX:

II 3D Ex h IIIC T85 °C Dc  
 0 °C ≤ Ta ≤ 40 °C  
 Nordfab 19.HB06

Část	Vysvětlení
II:	Skupina zařízení (ne důlní)
h:	Písmeno „h“ dle normy EN ISO 80079-36.
IIIC:	Zařízení skupiny III je určeno k použití v místech s prostředím s výbušným prachem odlišných od dolů náchylných k působení důlního plynu. Zařízení skupiny III je rozděleno podle povahy prostředí s výbušným prachem, pro které je určeno. Dílčí oddíly skupiny III: <ul style="list-style-type: none"> <li>• IIIA: vhodné pro hořlavé polévaté částice;</li> <li>• IIIB: vhodné pro hořlavé polévaté částice a nevodivý prach;</li> <li>• IIIC: vhodné pro hořlavé polévaté částice, nevodivý prach a vodivý prach.</li> </ul>
T85 °C	Maximální povrchová teplota ve stupních Celsia.
Dc:	Úroveň ochrany zařízení Dc. Stejně jako staré označení 3D. Ve výbušném prostředí, které způsobují směsi vzduchu a hořlavého prachu neobsahuje zařízení za běžného provozu žádné účinné zdroje vznícení a očekávané závady.
0 °C ≤ Ta ≤ 40 °C	Rozmezí okolní teploty.

### Typ ochrany bezpečnou konstrukcí „c“

Technická dokumentace obsahuje informace potřebné k zajištění bezpečnosti výrobku.

## 2 Úvod

Před instalací, použitím a servisem výrobku si pečlivě přečtete tento návod. V případě ztráty návodu okamžitě nahraďte. Společnost Nordfab si vyhrazuje právo upravit a vylepšit své výrobky včetně dokumentace bez předchozího upozornění.

Tento výrobek je navržen tak, aby splňoval požadavky příslušných směrnic ES. Aby byl zachován tento stav, veškerou instalaci, údržbu a opravy zařízení musí provádět kvalifikovaný personál, a to pouze s použitím originálních náhradních dílů a příslušenství Nordfab. obraťte se na nejbližšího autorizovaného distributora nebo společnost Nordfab a požádejte o radu ohledně technického servisu a získání náhradních dílů. Pokud při dodání produktu zjistíte jakékoli poškození nebo chybějící díly, ihned uvědomte dopravce a místního zástupce společnosti Nordfab.

### 3 Bezpečnost

Tento dokument obsahuje důležité informace, které jsou uvedeny buď jako varování, upozornění, nebo poznámka. Viz následující příklady:



**VAROVÁNÍ! Nebezpečí úrazu.**

Varování upozorňují na možné nebezpečí pro zdraví a bezpečnost osob a uvádí, jak lze nebezpečí zabránit.



**UPOZORNĚNÍ! Nebezpečí poškození zařízení.**

Upozornění upozorňují na možné nebezpečí pro výrobek, ale nikoli pro personál, a uvádí, jak lze nebezpečí zabránit.



**POZNÁMKA!** Poznámky obsahují další informace, které jsou důležité pro personál.

### 4 Technické údaje

Tabulka 4-1: Rozměry

Položka	Rozměr
Maximální tlak	1 MPa (10 barů)
Minimální tlak (pro bezpečný provoz)	0,5 MPa (5 barů)
Doporučený tlak	0,6–0,7 MPa (6–7 barů)
Kvalita vzduchu	ISO 8573-1 třída 5
Provozní teplota	0–40 °C
Průřez vodiče	minimálně 0,75 mm <sup>2</sup>
Napětí elektromagnetu	115 V AC (+10 % -15 %) 230 V AC (+10 % -15 %) 24 V DC (±10 %) nebo 24 V AC/DC (ne ATEX)
Frekvence	50/60 Hz pro střídavý proud
Typ zařízení	II 3D Ex h IIIC T85 °C Dc 0 °C ≤ Ta ≤ 40 °C

### 5 Popis

Energeticky úsporná klapka NFES se používá v dřevozpracujícím a kovozpracujícím průmyslu jako uzavírací klapka ve výfukových systémech, když se některé stroje, pracoviště nebo potrubí nepoužívají.

Energeticky úsporná klapka typu NFES je automatické šoupátko poháněné dvojčinnými pneumatickými válci. Průměr Ø 450–710.

Energeticky úsporná klapka je vyrobena z pozinkovaného ocelového plechu a je vybavena speciálně zkonstruovaným těsněním, které zajišťuje nízké tření a optimální těsnost. Klapka je aktivována elektronicky.

## 5.1 Modely

Viz obrázek 1

Konec se zesíleným okrajem QF/FB

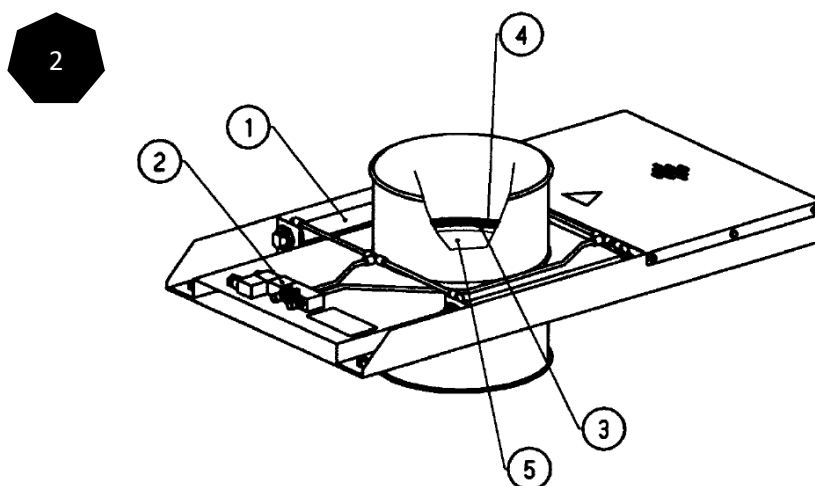
## 6 Popis produktů ATEX

Pokud je klapka nainstalována a správně připojena podle návodu, nemá žádný zdroj vznícení a může být instalována ve všech vnitřních zónách ATEX. Pokud mají být instalovány v zónách ATEX, musí být elektrické komponenty označeny podle příslušné zóny.

### 6.1 Hlavní součásti

Na obrázku 2 je model NFES Ø 450–710

1. Pneumatický válec
2. Magnetický ventil
3. Těsnicí kroužek
4. Kroužek z pěnové gumy
5. Hradítko



## 7 Funkce

NFES je ventil pro automatické otevírání a zavírání vakuového výstupu spojeného s centrálním vakuovým systémem nebo přetlakem. Ventily normálně fungují automaticky, otevírají a zavírají se pomocí řídicího zařízení. Na obrázku 1 jsou znázorněny příklady použití NFES.

## 8 Instalace

Namontujte ventil „lineárně“ do podtlakového potrubí nebo přímo na zařízení, které obsluhuje. Je třeba použít vodivé spojky pro potrubí.



### **UPOZORNĚNÍ! Nebezpečí poškození zařízení.**

Ventil nesmí být zatížen přípojnými trubkami nebo jinými spoji, které by mohly způsobit poškození ventilu. Ujistěte se, že jsou spoje pevně uchyceny ke stěně, stropu, podlaze apod. Hadicové spoje musí být odlehčeny.

Před montáží ventilu musí být potrubí na stlačený vzduch profouknuta. Nová potrubí na stlačený vzduch vždy obsahují nečistoty, které mohou narušit provoz. Používejte ochranu sluchu a ochranné brýle. Při nedostatečné kvalitě stlačeného vzduchu musí být nainstalován odlučovač vlhkosti a nečistot. Mazací zařízení olejové mlhy není vyžadováno.

### 8.1 Elektroinstalace

Aby byla zajištěna správná funkce a požadovaná úroveň ochrany s ohledem na kategorii zařízení, zkontrolujte následující body:

- Elektrickou instalaci a připojení magnetického ventilu musí provést kvalifikovaný elektrikář. Kvalifikovaný elektrikář musí rovněž věnovat pozornost podmínkám pro instalace v zónách klasifikovaných podle ATEX.
- Zkontrolujte, zda byla přijata patřičná opatření, aby se zabránilo všem typům bludných proudů do potrubního systému a elektrické kabeláže nebo z nich. Upozorňujeme, že skříň NFES Ø 450–710 musí být řádně uzemněna.
- Připojené hadice nebo potrubí musí být vodivé a uzemněné.
- Zkontrolujte, zda je k elektromagnetu magnetického ventilu připojeno správné napětí. Zkontrolujte označení na elektromagnetu.
- Elektrické doplňky, jako jsou mikrospínače, musí být připojeny k jiskrově bezpečnému obvodu (u doplňků instalovaných v zónách klasifikovaných podle ATEX).

## 8.2 Přípojky



### **VAROVÁNÍ! Nebezpečí úrazu.**

- Maximální doporučený tlak vzduchu je 1 MPa (10 barů). Je-li pravděpodobné, že tlak překročí maximální hodnotu, je nutné nainstalovat regulátor tlaku. Doporučený provozní tlak je 0,6–0,7 MPa (6–7 barů). Minimální tlak pro spolehlivou funkci je 0,5 MPa (5 barů).
- Hadice na stlačený vzduch musí být schváleny pro skutečný tlak a musí být bezpečně připevněny ke vsuvkám ventilu. Hadicové spony musí být správně namontovány.
- Ventil je určen pro vakuum, tj. měl by být instalován pouze v systémech,
  - NFES Ø 450–710 není vybaven vlastním řídicím zařízením. Je určen pro přímé řízení pomocí trojcestného vzdáleného řídicího ventilu (doplňek).
  - NFES Ø 450–710 má řídicí jednotku elmg. ventilu. Napětí elektromagnetického ventilu musí odpovídat napětí signálu. Standardní napětí je 24, 42, 230 V AC a 24 V DC. Výkon je 5 VA nebo 5 W.

## 8.3 Pokyny k použití



### **VAROVÁNÍ! Nebezpečí úrazu.**

- Když je ventil připojen ke stlačenému vzduchu, nepřibližujte prsty k připojení podtlaku. Pružina, která zavírá ventil, je dostatečně silná, aby způsobila nepohodlí.
- Ujistěte se, že systém nepřeváží materiál, který by mohl ventil NFES Ø 450–710 poškodit.
- Dostane-li se do systému nějaký neočekávaný předmět, ihned uzavřete přívod stlačeného vzduchu do ventilu a odstraňte případné překážky.
- Ventil nesmí být uveden do provozu, dokud není vstup a výstup ventilu připojen k pevnému potrubí nebo hadicím o délce alespoň 1 m.

## 8.4 Údržba

Potřebujete-li servis a technickou podporu, kontaktujte společnost Nordfab Europe A/S.



### **VAROVÁNÍ! Nebezpečí úrazu.**

- Údržbu je možné zahájit až po řádném zastavení celého systému a po bezpečném odpojení napájení, například zablokováním hlavního vypínače.
  - Před zahájením jakékoli údržby ventilu je třeba odpojit přívod
- 
- Kontrola filtrační násypky otevřením inspekčních dvířek se nesmí provádět, dokud se důkladně neaktivuje systém čištění filtru a dokud se násypka nevyprázdní. V této souvislosti je třeba zkontrolovat, zda je čištění dostatečné, kontrolou usazení zbytkového prachu ve filtračních vacích.
  - Kontrolu otevřením inspekčních dvířek a podobně lze provádět pouze tehdy, jsou-li použity osobní ochranné prostředky přizpůsobené daným podmínkám.
  - Pokud při práci používáte pohyblivý žebřík, musí být při práci zajištěn, aby byla zajištěna jeho stabilita.
  - Aby se zabránilo vzniku statické elektřiny ve filtračním systému, musí být zajištěno, že filtr, připojený prach atd. jsou řádně uzemněny.
  - Otevřený oheň, jiskření nebo jiná forma vzniku tepla, např.: Svařování, broušení, vrtání/vyvtávání, kouření atd. nesmí probíhat blíže než 3 metry k filtrům atd. používaným ve výbušném prostředí, například v prašném vzduchu.
  - Je třeba zajistit, aby se čištění provádělo na filtrech a v jejich okolí atd., aby se zabránilo vznícení ohně a výbušného prachu a vzniku silného poškození.

## 8.5 Servis a oprava

Servis a opravy smí provádět pouze speciálně proškolený personál. Před zahájením jakýchkoli prací je nutné vypnout přívod energie hlavním vypínačem a zajistit, aby nemohlo dojít k nechtěnému opětovnému zapnutí, například zablokováním hlavního vypínače. Před zahájením prací je nutné vypnout nahromaděnou energii, například v systému stlačeného vzduchu, případně ji úplně vybit.



Při servisu a opravách vyžadujících přívod prachu do vzduchu, např. v sekci násypky filtru, je nutné použít následující bezpečnostní vybavení:

1. Ochranné zařízení dýchacích cest, případně s přívodem čerstvého vzduchu.
2. Brýle, možná maska v kombinaci s přívodem čerstvého vzduchu.
3. Protipožární oblek.
4. Nehořlavé pracovní rukavice.
5. Bezpečnostní obuv.
6. Ochranná přilba.
7. Kdekoli je to možné, nejiskřivé nářadí.

Kontrolu filtračních vaků od horního okraje filtru po otevření dvířek pro odlehčení výbuchu lze provádět pouze tehdy, když se filtrační systém zastaví. K tomuto účelu je nutné použít také výše uvedené osobní ochranné prostředky.

Pokud je filtr či podobný prvek čištěn vysavačem, musí být zajištěna ochrana proti statickému elektrickému náboji.

Vyvtávání otvorů do skříně filtru nebo v přilehlých potrubích lze provádět pouze tehdy, když je systém zastaven a vyčištěn, a to s velkou opatrností a bez generování tepla.

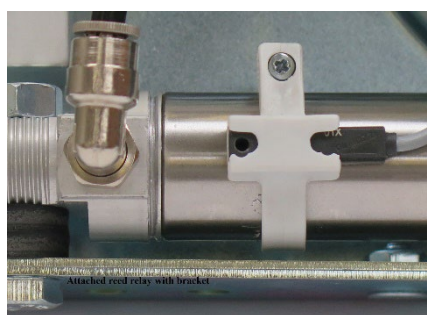
Pokud by došlo k poruše elektrického systému, zastavení systému a restartování je odpojeno, nemusí být vadná komponenta přemostěna, aby bylo možné pokračovat v dalším provozu. Před opětovným spuštěním je nutné provést správné odstranění problémů a opravu.

Likvidace vyměněných součástí, prachu/odpadu z čištění, stejně jako ostatních odpadů musí být provedena podle pokynů pro konkrétní materiály. Tyto pokyny jsou obvykle stanoveny místními úřady. V případě pochybností je nutné konzultovat osobu odpovědnou za bezpečnost ve společnosti.

## 9 Příslušenství

### Jazyčková relé v páru a držáky

Číslo položky	Název položky
8210002005	Jazyčkové spínací relé CST-220 pro klapku 10–110 V DC/10–230 V AC 0,25 A 8 W/10 VA ne ATEX
8111404	Jazyčkové spínací relé CST-332 pro klapku Ex 10–110 V DC/10–230 V AC 0,25 A 8 W/10 VA třída II 3G/D zóna 2/22 -10 – +80 °C ATEX



Technické listy a montážní návody naleznete na našich webových stránkách [www.nordfab.com](http://www.nordfab.com)

### Cívka

Číslo položky	Název položky
8210001600	Cívka 230 V AC G80-B-810
8210001601	Cívka 230 V DC ATEX zóna 22
8210001602	Cívka 24 V DC EX II 3D
8210001604	Cívka 110 V AC 7,5 W

## 9.1 Náhradní díly

**UPOZORNĚNÍ! Nebezpečí poškození zařízení.**

Používejte pouze originální náhradní díly a příslušenství Nordfab.

Obraťte se na nejbližšího autorizovaného distributora nebo společnost Nordfab a požádejte o radu ohledně technického servisu nebo pokud potřebujete pomoc s náhradními díly. Viz také [www.nederman.com](http://www.nederman.com).

**Objednávání náhradních dílů**

Při objednávání náhradních dílů vždy uvádějte následující údaje:

- Číslo dílu a kontrolní číslo (viz typový štítek).
- Podrobné číslo a název náhradního dílu (viz [www.nordfab.com](http://www.nordfab.com)).
- Potřebné množství dílů.

## 9.2 Recyklace

Výrobek umožňuje recyklaci materiálů součástí.

S různými typy materiálů se musí zacházet v souladu s příslušnými místními předpisy. Pokud se při likvidaci výrobku na konci jeho životnosti vyskytnou jakékoli nejasnosti, obraťte se na distributora nebo na společnost Nordfab.

Skydespjæld/blæseport

## NFES Ø 450-710

Version: 02:2022



### Original betjeningsvejledning

EN USER MANUAL

### Oversættelse af original betjeningsvejledning

CS NÁVOD K OBSLUZE  
DA BETJENINGSVEJLEDNING  
DE BEDIENUNGSANLEITUNG  
ES MANUAL DE INSTRUCCIONES  
FI KÄYTTÖOHJEET  
FR MANUEL D'INSTRUCTION  
IT MANUALE D'ISTRUZIONE  
NL HANDLEIDING  
NO BRUKSANVISNING  
PL INSTRUKCJA UŻYTKOWANIA  
PT MANUAL DE INSTRUÇÕES SV  
ANVÄNDARMANUAL





## Dansk Betjeningsvejledning

### Indholdsfortegnelse

Overensstemmelseserklæring	4-6
Figur	7-8
1 Produktmærkning .....	30
2 Indledning .....	30
3 Sikkerhed.....	31
4 Tekniske data .....	31
5 Beskrivelse .....	31
5.1 Modeller .....	32
6 Beskrivelse af ATEX-produkter .....	33
6.1 Hovedkomponenter .....	33
7 Funktion .....	33
8 Installation .....	33
8.1 Elektrisk installation.....	33
8.2 Tilslutninger .....	34
8.3 Brugsanvisning.....	34
8.4 Vedligeholdelse .....	35
8.5 Service og vedligeholdelse af ATEX-udstyr.....	35
9 Tilbehør .....	37
9.1 Reservedele .....	38
9.2 Genbrug .....	38

# 1 Produktmærkning

NFES Ø 450-710 (se Beskrivelse af ATEX-produkter) 24 V AC/DC er ikke ATEX-klassificeret og er kun mærket med CE-mærket.

NFES Ø 450-710 115 V AC 230 V AC 24 V DC er ATEX klassificeret og -mærket:

II 3D Ex h IIIC T85 °C Dc  
 0°C≤Ta≤40 °C  
 Nordfab 19.HB06

Del	Forklaring
II:	Udstyrsgruppe (ikke minedrift)
h:	Bogstavet "h" som angivet i EN ISO 80079-36.
IIIC:	<p>Udstyr i gruppe III er beregnet til brug på steder med en eksplosiv støvatmosfære, som ikke er miner, og som er modtagelige over for branddampe.</p> <p>Udstyr i gruppe III opdeles efter arten af den eksplosive støvatmosfære, som det er beregnet til.</p> <p>Underopdelinger i gruppe III:</p> <ul style="list-style-type: none"> <li>• IIIA: egnet til brændbart fnug</li> <li>• IIIB: egnet til brændbart fnug og ikke-ledende støv</li> <li>• IIIC: egnet til brændbart fnug, ikke-ledende støv og ledende støv.</li> </ul>
T85 °C	Maksimal overfladetemperatur i grader Celsius.
Dc:	<p>Udstyrsbeskyttelsesniveau Dc Samme som gammel 3D-mærkning.</p> <p>Ved eksplosive atmosfærer forårsaget af blandinger af luft og brændbart støv indeholder udstyret ikke nogen effektive antændelseskilder under normal drift samt ingen forventede funktionsfejl.</p>
0 °C≤Ta≤40 °C	Omgivelsestemperatur.

## Beskyttelsestype for konstruktionsmæssig sikkerhed "c"

Den tekniske dokumentation indeholder de oplysninger, der er nødvendige for at opretholde produktsikkerheden.

# 2 Indledning

Læs denne vejledning omhyggeligt, før produktet tages i brug og serviceres. Udskift vejledningen med det samme, hvis den mistes. Nordfab forbeholder sig ret til uden forudgående varsel at ændre og forbedre sine produkter, herunder dokumentation.

Dette produkt er designet til at opfylde kravene i relevante EF-direktiver. For at opretholde denne status skal al vedligeholdelse og reparation af installationen udføres af kvalificeret personale, der kun bruger originale Nordfab-reservedele og -tilbehør. Kontakt den nærmeste autoriserede forhandler eller Nordfab for rådgivning om teknisk service og fremskaffelse af reservedele. Hvis der er beskadigede eller manglende dele, når produktet leveres, skal du straks underrette fragtmænd og den lokale Nordfab-repræsentant.

### 3 Sikkerhed

Dette dokument indeholder vigtige oplysninger, der enten vises som en advarsel eller en bemærkning. Se følgende eksempler:



**ADVARSEL! Risiko for personskade.**

Advarsler angiver en potentiel fare for personalets sundhed og sikkerhed, og hvordan denne fare kan undgås.



**OBS! Risiko for beskadigelse af udstyret.**

OBS-udtryk angiver en potentiel fare for produktet, men ikke for personalet, og hvordan denne fare kan undgås.



**BEMÆRK!** Bemærkninger indeholder andre oplysninger, der er vigtige for personalet.

### 4 Tekniske data

Tabel 4-1: Mål

Vare	Mål
Maksimalt tryk	1 MPa (10 bar)
Minimumstryk (for sikker drift)	0.5 MPa (5 bar)
Anbefalet tryk	0.6 – 0.7 MPa (6-7 bar)
Luftkvalitet	ISO 8573-1 klasse 5
Arbejdstemperatur	0-40 °C
Ledningsmåler	minimum 0.75 mm <sup>2</sup>
Magnetspændinger	115 V AC (+10 % -15 %) 230 V AC (+10 % -15 %) 24 V DC (+-10 %) eller 24 V AC/DC (ikke ATEX)
Frekvens	50/60 Hz for vekselstrøm
Udstyrstype	II 3D Ex h IIIC T85 °C Dc 0 °C ≤ Ta ≤ 40 °C

### 5 Beskrivelse

NFES energibesparende spjæld anvendes inden for træ- og metalbearbejdningsindustrien som lukkespjæld i udstødningssystemer, når nogle maskiner, arbejdspladser eller rørledninger ikke er i brug.

Det energibesparende NFES-spjæld er en automatisk blæseport, der drives af dobbeltvirkende trykluftcylindere. Diameter Ø450-710.

Det energibesparende spjæld er fremstillet af galvaniseret stålplade og udstyret med en specialbygget pakningsenhed, der sikrer lav friktion og optimal tæthed. Spjældet er elektronisk aktiveret.

## 5.1 Modeller

Se figur 1  
Studs med valset kant QF/FB

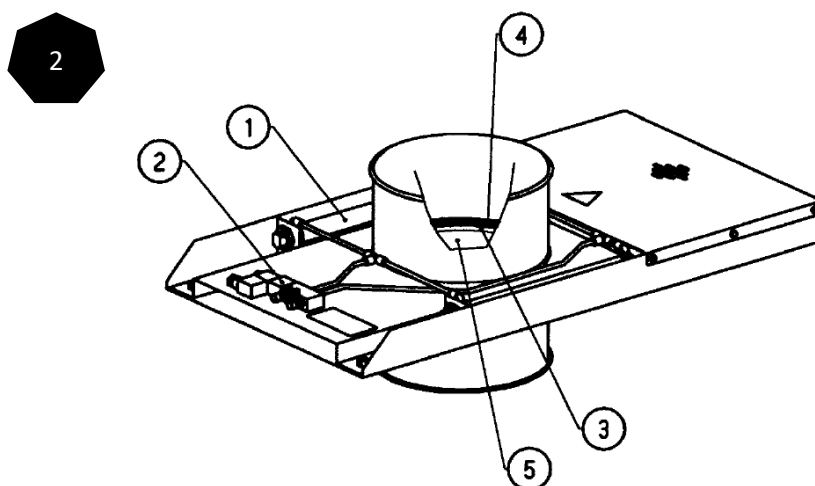
## 6 Beskrivelse af ATEX-produkter

Hvis spjældet er installeret og tilsluttet korrekt i henhold til vejledningen, har spjældet ingen antændelseskilde og kan derfor monteres inden for alle indendørs ATEX-zoner. Hvis de elektriske komponenter skal installeres i ATEX-zoner, skal de mærkes i henhold til den relevante zone.

### 6.1 Hovedkomponenter

Figur 2 viser en NFES Ø 450-710

1. Trykluftcylinder
2. Magnetventil
3. Pakningsring
4. Svampegummiring
5. Spjældplade





## 7 Funktion

NFES er en ventil til automatisk åbning og lukning af en vakuumudgang, der er forbundet med et centralt vakuumsystem eller et overtryk. Ventilerne er normalt automatiske, og de åbner og lukker styret af en styreenhed. Se figur 1 for eksempler på, hvordan NFES kan bruges.

## 8 Installation

Monter ventilen "på linje" i vakuumrøret eller direkte på det udstyr, den skal bruges til. Ledende samlingsmuffer til rørføring skal anvendes.



### **OBS! Risiko for beskadigelse af udstyret.**

Ventilen må ikke aflaste tilslutningsrør eller andre tilslutninger, der kan forårsage defekter på ventilen. Sørg for, at forbindelserne er sikkert monteret mod væggen, loftet, gulvet eller lignende. Slangeforbindelser skal være trykaflastede.

Trykluftrør skal gennemblæses rene før montering af ventilen. Nye trykluftrør indeholder altid snavs, der kan forårsage driftsforstyrrelser. Bær høreværn og sikkerhedsbriller. Hvis trykluftten er af dårlig kvalitet, skal der monteres en vand- og smudssamler. Der er ikke behov for en olietågesmøreanordning.

### 8.1 Elektrisk installation

For at sikre korrekt funktion og påkrævet beskyttelsesniveau med hensyn til udstyrskategorien skal det sikres, at følgende punkter kontrolleres:

- Elektrisk installation og tilslutning af magnetventilen skal udføres af en autoriseret elektriker. En certificeret elektriker skal også være opmærksom på betingelserne for installationer i zoner klassificeret i henhold til ATEX.
- Kontrollér, at der er truffet passende foranstaltninger for at undgå alle former for elektriske vagabonderende strømme til og/eller fra rørsystemet og de elektriske ledninger. Bemærk, at NFES Ø 450-710-huset skal være korrekt jordforbundet.
- Tilsluttede slanger eller rør skal være ledende og jordforbundne.
- Kontrollér, at den korrekte spænding er tilsluttet magneten på magnetventilen. Kontrollér markeringen på magnetventilen.
- Elektriske løsninger, som f.eks. mikrokontakter, skal tilsluttes et internt sikkert kredsløb (for løsninger, der er installeret i ATEX-klassificerede zoner).

## 8.2 Tilslutninger



### **ADVARSEL! Risiko for personskade.**

- Maksimalt anbefalet lufttryk er 1 MPa (10 bar). Der skal monteres en trykregulator, hvis det er sandsynligt, at trykket vil overstige det maksimale tryk. Det anbefalede arbejdstryk er 0,6-0,7 MPa (6-7 bar). Min. tryk for pålidelig funktion er 0,5 MPa (5 bar).
  - Trykluftslanger skal være godkendt til det aktuelle tryk og skal være forsvarligt fastgjort til ventilniplerne. Slangeklemmer skal monteres korrekt.
  - Ventilen er designet til vakuum, dvs. den må kun installeres i systemer, der arbejder med negativt tryk, sammenlignet med atmosfæren.
- 
- NFES Ø 450-710 er ikke udstyret med egen styreenhed. Den er beregnet til direkte styring med en fjernstyret 3-ports pilotventil (ekstraudstyr).
  - NFES Ø 450-710, en magnetventilstyreenhed. Magnetspændingen skal svare til signalspændingen. Standardspændingen er 24 V AC og 24 V DC. Effekten er 5 VA eller 5 W.

## 8.3 Brugsanvisning



### **ADVARSEL! Risiko for personskade.**

- Hold fingrene væk fra vakuumforbindelserne, når ventilen er tilsluttet trykluft. Fjederen, der lukker ventilen, er stærk nok til at forårsage ubehag.
- Sørg for, at systemet ikke transporterer materiale, der kan beskadige NFES Ø 450-710 ventilen.
- Hvis der kommer en uventet genstand ind i systemet, skal du straks lukke for trykluftforsyningen til ventilen og fjerne genstanden.
- Ventilen må ikke tages i brug, før ventilens ind- og udløb er forbundet til faste rør eller slanger, der er mindst 1 meter lange.

## 8.4 Vedligeholdelse

Kontakt Nordfab Europe A/S vedrørende service og teknisk support



### **ADVARSEL! Risiko for personskade.**

- Vedligeholdelsesarbejde må ikke påbegyndes, før hele systemet er blevet standset på korrekt vis, og før strømforsyningen er blevet afbrudt på en sikker måde, f.eks. ved at låse hovedafbryderen.
- Inspektion af filtertragtsektionen ved at åbne inspektionsdørene må ikke udføres, før filterrengøringsystemet er blevet aktiveret grundigt, og tragtsektionen er tømt for materiale. I den forbindelse skal det kontrolleres, om rengøringen har været tilstrækkelig, ved at undersøge reststøvdannelsen på filterposerne.
- Inspektion ved åbning af inspektionsdøre og lignende må kun udføres, når der anvendes personligt sikkerhedsudstyr, der er tilpasset forholdene.
- Hvis der anvendes en flytbar stige til arbejdet, skal den sikres korrekt for stabilitet, før arbejdet påbegyndes.
- For at undgå dannelse af statisk elektricitet i filtersystemet skal det sikres, at filteret og det tilsluttede støv mv. er korrekt jordet.
- Åben ild, gnistdannelse eller anden form for varmeudvikling som f.eks.: Svejsning, slibning, boring eller rygning osv. må ikke finde sted nærmere end 3 meter fra filtre osv., der arbejder i en eksplosiv atmosfære, f.eks. støvfyldt luft.
- Det skal sikres, at der foretages rengøring på og omkring filtre osv. for at forhindre brand og eksplosivt støvaffald i at antænde og forårsage alvorlige skader.

## 8.5 Service og reparation

Service og reparation må kun udføres af særligt uddannet personale. Inden arbejdet påbegyndes, skal energiforsyningen afbrydes på hovedafbryderen, og det skal sikres, at utilsigtet genstart ikke kan ske, f.eks. ved at låse hovedafbryderen. Akkumuleret energi, f.eks. i trykluftsystemet, skal også slås fra, eventuelt helt aflades, før arbejdet påbegyndes.

Ved service- og reparationsarbejde, hvor det er nødvendigt at opholde sig i støvfylt luft, f.eks. i filtertragtsektionen, skal følgende sikkerhedsudstyr anvendes:

1. Åndedrætsværn, evt. med friskluftforsyning.
2. Briller, evt. skærmmaske i forbindelse med friskluftforsyning.
3. Brandhæmmende dragt.
4. Brandhæmmende arbejdshandsker.
5. Sikkerhedsfodtøj.
6. Sikkerhedshjelm.
7. Gnistfrit værktøj, hvor det er muligt.

Eftersyn af filterposerne ved ophold på filtertoppen efter åbning af eksplosionsaflastningsdøre må kun udføres, når filtersystemet er stoppet. Til dette formål skal ovennævnte personlige sikkerhedsudstyr også anvendes.

Hvis filteret eller lignende rengøres med en støvsuger, skal der etableres beskyttelse mod statisk elektrisk ladning i sugearrangementet.

Boring af huller i filterhuset eller tilstødende rørkanaler må kun foretages, når systemet er stoppet og rengjort, og der skal udvises stor forsigtighed og uden varmeudvikling.

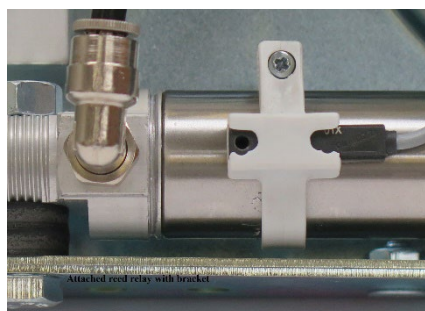
Hvis der opstår fejl i det elektriske system, og systemet stoppes og genstartes, kan den fejlbehæftede komponent ikke omgås for at muliggøre yderligere drift. Der skal udføres korrekt fejlfinding og reparation, før maskinen genstartes.

Bortskaffelse af udskiftede komponenter, støv/affald fra rengøring samt andet affald skal ske i henhold til retningslinjerne for de pågældende materialer. Disse retningslinjer er normalt fastlagt af de lokale myndigheder. I tvivlstilfælde skal den person, der er ansvarlig for virksomhedens sikkerhed, konsulteres.

## 9 Tilbehør

### Reedrelæer i par og beslag

Varenr.	Varenavn
8210002005	Reedkontaktrelæ CST-220 Spjæld 10-110VDC/10-230VAC 0,25A 8W/10VA ikke-Atex
8111404	Reedkontaktrelæ CST-332 Ex Spjæld 10-110V DC/10-230V AC 0,25A 8W/10VA klasse II 3G/D Zone 2/22 -10 - +80 °C Atex



Besøg vores hjemmeside [www.nordfab.com](http://www.nordfab.com) for at få tekniske datablade og samlevejledninger

### Spole

Varenr.	Varenavn
8210001600	Spole 230 VAC G80-B-810
8210001601	Spole 230 V DC Atex-zone 22
8210001602	Spole 24 V DC EX II 3D
8210001604	Spole 110 V AC 7,5 W

## 9.1 Reservedele

**OBS! Risiko for beskadigelse af udstyret.**

Brug kun originale Nordfab-reservedele og originalt Nordfab-tilbehør.

Kontakt din nærmeste autoriserede forhandler eller Nordfab for at få rådgivning om teknisk service, eller hvis du har brug for hjælp til reservedele. Se også [www.nederman.com](http://www.nederman.com).

**Bestilling af reservedele**

Ved bestilling af reservedele skal følgende altid angives:

- Delnummer og kontrolnummer (se produktidentifikationspladen).
- Reservedelsnummer og navn (se [www.nordfab.com](http://www.nordfab.com)).
- Antal nødvendige dele.

## 9.2 Genbrug

Produktet er designet til, at komponentmaterialer kan genbruges. De forskellige materialetyper skal håndteres i overensstemmelse med relevante lokale bestemmelser. Kontakt distributøren eller Nordfab, hvis der opstår usikkerhed, når produktet kasseres efter endt levetid.

Schiebeklappe / Sperrschieber

# NFES Ø 450-710

Version: 02:2022



## Original-Bedienungsanleitung

EN USER MANUAL

## Übersetzung der Originalbedienungsanleitung

CS NÁVOD K OBSLUZE  
DA BETJENINGSVEJLEDNING  
DE BEDIENUNGSANLEITUNG  
ES MANUAL DE INSTRUCCIONES  
FI KÄYTTÖOHJEET  
FR MANUEL D'INSTRUCTION  
IT MANUALE D'ISTRUZIONE  
NL HANDLEIDING  
NO BRUKSANVISNING  
PL INSTRUKCJA UŻYTKOWANIA  
PT MANUAL DE INSTRUÇÕES SV  
ANVÄNDARMANUAL





## Deutsch: Bedienungsanleitung

### Inhaltsverzeichnis

Declaration of conformity	4-6
Abbildungen	7-8
1 Produktkennzeichnung .....	41
2 Vorwort .....	41
3 Sicherheit .....	42
4 Technische Daten.....	42
5 Beschreibung .....	42
5.1 Modelle .....	43
6 Beschreibung ATEX-Produkte .....	43
6.1 Hauptkomponenten .....	43
7 Funktion .....	44
8 Installation .....	44
8.1 Elektrische Installation.....	44
8.2 Anschlüsse .....	45
8.3 Hinweise zur Verwendung.....	45
8.4 Wartung.....	46
8.5 Service und Wartung von ATEX-Geräten.....	46
9 Zubehör .....	49
9.1 Ersatzteile .....	50
9.2 Recycling .....	50



# 1 Produktkennzeichnung

Das Ventil NFES Ø 450-710 (siehe Beschreibung ATEX-Produkte) 24 V AC/DC ist nicht ATEX-klassifiziert und nur mit der CE-Kennzeichnung versehen.

Das Ventil NFES Ø 450-710 115 V AC 230 V AC 24 V DC ist ATEX-konform klassifiziert und gekennzeichnet:

II 3D Ex h IIIC T85°C Dc  
 0°C ≤ Ta ≤ 40°C  
 Nordfab 19.HB06

Teil	Erläuterung
II:	Gerätegruppe (nicht Bergbau)
h:	Der Buchstabe „h“ gemäß EN ISO 80079-36.
IIIC:	<p>Geräte der Gruppe III sind für den Einsatz an Orten mit explosionsfähigem Staub bestimmt. Hiervon ausgenommen sind grubengasführende Bergwerke.</p> <p>Geräte der Gruppe III werden nach der Art der explosionsfähigen Staubatmosphäre, für die sie bestimmt sind, unterteilt.</p> <p>Unterteilungen der Gruppe III:</p> <ul style="list-style-type: none"> <li>• IIIA: für brennbaren Flugstaub geeignet;</li> <li>• IIIB: für brennbaren Flugstaub und nicht leitenden Staub geeignet;</li> <li>• IIIC: für brennbaren Flugstaub und nicht leitenden und leitenden Staub geeignet.</li> </ul>
T85°C	Maximale Oberflächentemperatur in Grad Celsius.
Dc:	<p>Geräteschutzniveau Dc. Entspricht der alten 3D-Markierung.</p> <p>Für explosionsfähige Atmosphären, die durch Gemische aus Luft und brennbaren Stäuben verursacht werden, enthält das Gerät im Normalbetrieb und bei erwarteten Fehlfunktionen keine wirksamen Zündquellen.</p>
0°C ≤ Ta ≤ 40°C	Umgebungstemperaturbereich.

## Schutzart konstruktive Sicherheit „c“

Die technische Dokumentation enthält die zur Aufrechterhaltung der Produktsicherheit erforderlichen Informationen.

# 2 Vorwort

Lesen Sie dieses Handbuch sorgfältig durch, bevor Sie dieses Produkt installieren, verwenden und warten. Ersetzen Sie das Handbuch bei Verlust sofort. Nordfab behält sich das Recht vor, seine Produkte einschließlich der Dokumentation ohne vorherige Ankündigung zu modifizieren und zu verbessern.

Dieses Produkt ist so konzipiert, dass es die Anforderungen der einschlägigen EG-Richtlinien erfüllt. Um diesen Zustand beizubehalten, dürfen jegliche Wartungs- und Reparaturarbeiten an der Anlage nur von qualifiziertem Personal unter Verwendung von Nordfab Originalersatzteilen und -zubehör durchgeführt werden. Wenden Sie sich an einen autorisierten Händler in Ihrer Nähe oder an Nordfab, um sich über den technischen Service und die Beschaffung von Ersatzteilen zu informieren. Wenn bei der Lieferung des Produkts beschädigte oder fehlende Teile vorhanden sind, informieren Sie sofort das Transportunternehmen und den örtlichen Nordfab-Vertreter.

### 3 Sicherheit

Dieses Dokument enthält wichtige Informationen, die entweder als Warnung oder Hinweis dargestellt werden. Siehe folgende Beispiele:



**WARNUNG! Verletzungsgefahr.**

Warnungen weisen auf eine potenzielle Gefahr für die Gesundheit und Sicherheit des Personals hin und wie diese Gefahr vermieden werden kann.



**VORSICHT! Gefahr von Geräteschäden.**

Vorsichtshinweise weisen auf eine potenzielle Gefahr für das Produkt, aber nicht für das Personal hin und wie diese Gefahr vermieden werden kann.



**HINWEIS!** Hinweise enthalten weitere Informationen, die für das Personal wichtig sind.

### 4 Technische Daten

Tabelle 4-1: Dimensionierung

Element	Dimensionierung
Maximaler Druck	1 MPa (10 bar)
Minimaler Druck (für sicheren Betrieb)	0,5 MPa (5 bar)
Empfohlener Druck	0,6 – 0,7 MPa (6 – 7 bar)
Luftqualität	ISO 8573-1 Klasse 5
Arbeitstemperatur	0 – 40 °C
Kabelquerschnitt	mindestens 0,75 mm <sup>2</sup>
Spannungen Magnetspule	115 V AC (+10 % -15 %) 230 V AC (+10 %-15 %) 24 V DC (+-10 %) oder 24 V AC/DC (nicht ATEX)
Frequenz	50/60 Hz für AC
Gerätetyp	II 3D Ex h IIIC T85°C Dc 0°C ≤ Ta ≤ 40°C

### 5 Beschreibung

Der Energiesparschieber NFES wird in der Holz- und Metallindustrie als Absperrschieber in Abgasanlagen verwendet, wenn bestimmte Maschinen, Arbeitsplätze oder Rohrleitungen nicht in Betrieb sind.

Der Energiesparschieber Typ NFES ist ein automatischer Sperrschieber, der von doppelt wirkenden Druckluftzylindern betätigt wird. Durchmesser Ø 450-710.

Der Energiesparschieber besteht aus verzinktem Stahlblech und ist mit einer speziell konstruierten Dichtungsvorrichtung ausgestattet, die eine geringe Reibung und optimale Dichtheit gewährleistet. Der Schieber wird elektronisch aktiviert.

## 5.1 Modelle

Siehe Abbildung 1  
Stutzen mit Rollrand QF/FB

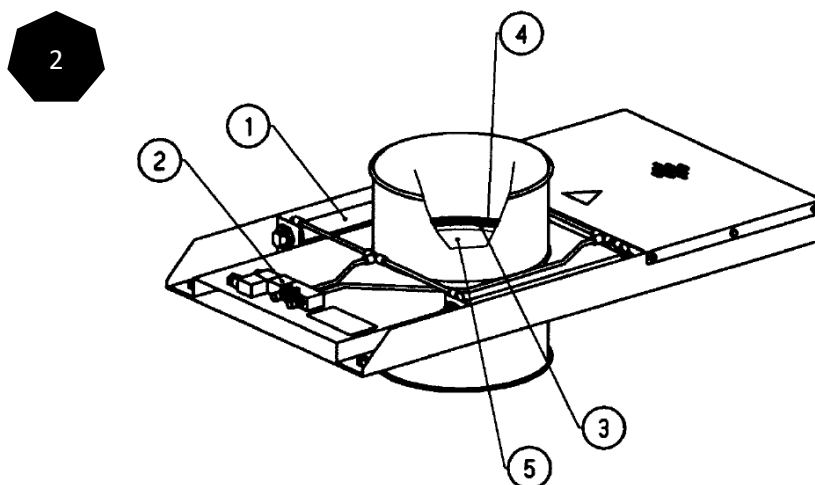
## 6 Beschreibung ATEX-Produkte

Der korrekt gemäß Handbuch installierte und angeschlossene Schieber enthält keine Zündquelle und kann daher in allen ATEX-Innenbereichen montiert werden. Wenn die Installation innerhalb von ATEX-Zonen erfolgen soll, müssen die elektrischen Komponenten entsprechend der jeweiligen Zone gekennzeichnet werden.

### 6.1 Hauptkomponenten

Abbildung 2 zeigt ein NFES Ø 450-710

1. Druckluftzylinder
2. Magnetventil
3. Dichtungsring
4. Moosgummiring
5. Schieberplatte



## 7 Funktion

NFES ist ein Ventil zum automatischen Öffnen und Schließen eines Vakuumauslasses, der an ein zentrales Vakuumsystem oder Überdruck angeschlossen ist. Normalerweise öffnen und schließen die Ventile automatisch, geregelt durch eine Steuervorrichtung. Abbildung 1 zeigt Beispiele für die Verwendung von NFES.

## 8 Installation

Bauen Sie das Ventil in die Vakuumleitung ein ("inline") oder direkt an der Anlage an, für die es bestimmt ist. Es sind leitfähige Verbindungsmuffen für Rohrleitungen zu verwenden.



### **VORSICHT! Gefahr von Geräteschäden.**

Das Ventil darf nicht die Last von Verbindungsrohren oder anderen Verbindungen tragen, da dies zu Defekten am Ventil führen kann. Stellen Sie sicher, dass die Anschlüsse fest an der Wand, der Decke, dem Boden oder Ähnlichem montiert sind. Schlauchverbindungen müssen zugentlastet sein.

Vor dem Einbau des Ventils müssen die Druckluftleitungen saubergeblasen werden. Neue Druckluftleitungen enthalten immer Schmutz, der Betriebsstörungen verursachen könnte. Gehörschutz und Schutzbrille tragen. Bei schlechter Druckluftqualität muss ein Feuchtigkeits- und Schmutzfänger installiert werden. Eine Ölnebelschmierung ist nicht erforderlich.

### 8.1 Elektrische Installation

Um die ordnungsgemäße Funktion und das erforderliche Schutzniveau in Bezug auf die Gerätekategorie zu gewährleisten, stellen Sie sicher, dass die folgenden Punkte überprüft werden:

- Die elektrische Installation und der Anschluss des Magnetventils müssen von einem zertifizierten Elektriker vorgenommen werden. Ein zertifizierter Elektriker muss auch die Bedingungen für Installationen in ATEX-klassifizierten Zonen beachten.
- Stellen Sie sicher, dass geeignete Maßnahmen getroffen wurden, um alle Arten von elektrischen Streuströmen zum und/oder vom Rohrleitungssystem und den elektrischen Leitungen zu vermeiden. Beachten Sie, dass das Gehäuse des NFES Ø 450-710 ordnungsgemäß geerdet sein muss.
- Angeschlossene Schläuche oder Rohrleitungen müssen leitfähig und geerdet sein.
- Prüfen Sie, ob die richtige Spannung an der Magnetspule des Magnetventils anliegt. Prüfen Sie die Markierung am Magnetventil.

- Elektrische Optionen wie Mikroschalter müssen an einen eigensicheren Stromkreis angeschlossen werden (für Optionen, die in ATEX-klassifizierten Zonen installiert werden).

## 8.2 Anschlüsse



### **WARNUNG! Verletzungsgefahr.**

- Der empfohlene maximale Luftdruck beträgt 1 MPa (10 bar). Wenn der Druck den Maximaldruck überschreiten könnte, muss ein Druckregler installiert werden. Der empfohlene Betriebsdruck beträgt 0,6–0,7 MPa (6–7 bar). Der Mindestdruck für eine zuverlässige Funktion beträgt 0,5 MPa (5 bar).
- Druckluftschläuche müssen für den tatsächlichen Druck zugelassen und sicher an den Ventilnippeln befestigt sein. Schlauchschellen müssen korrekt montiert sein.

- Das Ventil NFES Ø 450-710 ist nicht mit einem eigenen Steuergerät ausgestattet. Sie sind für die direkte Steuerung mit einem externen 3-Wege-Pilotventil (Option) vorgesehen.
- Das Ventil NFES Ø 450-710 hat ein Magnetventilsteuergerät. Die Spannung der Magnetspule muss der Signalspannung entsprechen. Die Standardspannung beträgt 24 V AC und 24 V DC. Die Leistung beträgt 5 VA oder 5 W.

## 8.3 Hinweise zur Verwendung



### **WARNUNG! Verletzungsgefahr.**

- Beim Anschließen des Ventils an die Druckluft die Finger von den Vakuumsystemen fernhalten. Die Feder, die das Ventil schließt, ist stark genug, um Finger einzuzwickeln.
- Das System darf kein Material transportieren, das das Ventil NFES Ø 450-710 beschädigen könnte.
- Wenn ein unerwarteter Gegenstand in das System gelangt, schließen Sie sofort die Druckluftversorgung zum Ventil und entfernen Sie den Gegenstand.
- Das Ventil darf erst in Betrieb genommen werden, wenn der Ventileinlass und -auslass an feste Rohre oder Schläuche mit einer Länge von mindestens 1 Meter angeschlossen sind.

## 8.4 Instandhaltung

Für Service und technischen Support wenden Sie sich bitte an Nordfab Europe A/S



### **WARNUNG! Verletzungsgefahr.**

- Mit den Wartungsarbeiten darf erst begonnen werden, wenn das Gesamtsystem ordnungsgemäß gestoppt und die Stromversorgung auf sichere Weise unterbrochen wurde, z. B. durch Verriegelung des Motors.
- Die Inspektion des Filtertrichterabschnitts durch Öffnen der Inspektionstüren darf erst durchgeführt werden, wenn das Filterreinigungssystem vollständig aktiviert und der Trichterabschnitt von Material entleert wurde. In diesem Zusammenhang ist durch Kontrolle der noch vorhandenen Staubablagerung auf den Filterbeuteln zu prüfen, ob die Reinigung ausreichend war.
- Die Kontrolle durch Öffnen von Inspektionstüren u. ä. darf nur bei Verwendung einer den Bedingungen angepassten persönlichen Schutzausrüstung durchgeführt werden.
- Wenn für die Arbeiten eine bewegliche Leiter verwendet wird, muss diese vor Beginn der Arbeiten ordnungsgemäß auf Stabilität gesichert werden.
- Um die Erzeugung von statischer Elektrizität im Filtersystem zu verhindern, muss sichergestellt sein, dass der Filter und der angeschlossene Staub usw. ordnungsgemäß geerdet sind.
- Offenes Feuer, Funkenbildung oder andere Formen der Wärmeerzeugung wie: Schweißen, Schleifen, Bohren oder Rauchen usw. müssen einen Mindestabstand zu Filtern von 3 m einhalten, wenn in einer explosionsfähigen Atmosphäre, z. B. staubbelasteter Luft, gearbeitet wird.
- Die Reinigung an Filtern, sowie in deren Umgebung usw. muss sichergestellt sein, um zu verhindern, dass sich Feuer und explosionsfähiger Staub entzünden und schwere Schäden verursachen.

## 8.5 Service und Reparatur

Service und Reparaturen dürfen nur von speziell geschultem Personal durchgeführt werden. Vor Beginn der Arbeiten muss die Energieversorgung am Hauptschalter abgeschaltet werden und es muss sichergestellt sein, dass ein unerwarteter Wiederanlauf nicht möglich ist,

z. B. durch Verriegeln des Hauptschalters. Gespeicherte Energie, wie z. B. in der Druckluftanlage, muss vor Beginn der Arbeiten ebenfalls abgeschaltet und ggf. vollständig entladen werden.

Bei Wartungs- und Reparaturarbeiten, die einen Aufenthalt in staubbelasteter Luft erfordern, z. B. im Bereich des Filterbehälters, muss folgende Sicherheitsausrüstung verwendet werden:

1. Atemschutzgerät, eventuell mit Frischluftzufuhr.
2. Schutzbrille, evtl. Gesichtsmaske mit Schirm in Verbindung mit Frischluftzufuhr.
3. Brandschutzanzug.
4. Feuerfeste Arbeitshandschuhe.
5. Sicherheitsschuhe.
6. Schutzhelm.
7. Wo immer möglich, funkenfreie Werkzeuge.

Die Inspektion der Filterschläuche bei Aufenthalt auf dem Filteroberteil nach dem Öffnen der Explosionsentlastungstüren darf nur bei angehaltener Filteranlage durchgeführt werden. Hierzu ist zusätzlich die oben genannte persönliche Schutzausrüstung zu verwenden.

Wenn der Filter oder Ähnliches mit einem Staubsauger gereinigt wird, muss ein Schutz gegen statische elektrische Aufladung in der Saugvorrichtung hergestellt werden.

Das Bohren von Löchern in das Filtergehäuse oder angrenzende Rohrkanäle darf nur bei stillstehender und gereinigter Anlage mit größter Vorsicht und ohne Wärmeentwicklung erfolgen.

Wenn Fehler im elektrischen System auftreten, das System angehalten und die Neustartvorrichtung getrennt wird, darf die defekte Komponente nicht umgangen werden, um den weiteren Betrieb zu ermöglichen. Vor dem Neustart müssen eine ordnungsgemäße Fehlersuche und Reparatur durchgeführt werden.

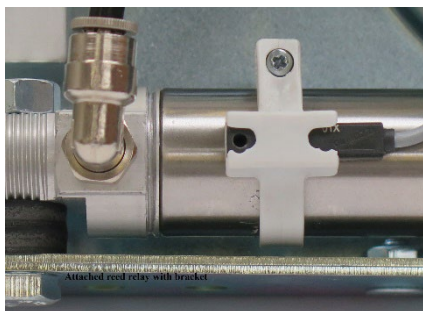
Die Entsorgung von ausgetauschten Komponenten, von Staub/Abfall aus der Reinigung sowie von anderem Abfall muss gemäß den Richtlinien für die jeweiligen Materialien erfolgen. Diese Richtlinien wurden normalerweise von den lokalen Behörden festgelegt. Im Zweifelsfall ist die für die Betriebssicherheit verantwortliche Person hinzuzuziehen.



## 9 Zubehör

### Reedrelais, paarweise, und Halterungen

Artikelnummer	Artikelbezeichnung
8210002005	Reedschalterrelais CST-220 Schieber 10-110 V DC/10-230 V AC 0,25 A 8 W/10 VA Nicht-Atex
8111404	Reedschalterrelais CST-332 Ex Schieber 10-110 V DC/10-230 V AC 0,25 A 8 W/10 VA Klasse II 3G/D Zone 2/22 -10 - +80 °C Atex



Technische Daten und Montageanleitungen finden Sie auf unserer Webseite [www.nordfab.com](http://www.nordfab.com)

### Spule

Artikelnummer	Artikelbezeichnung
8210001600	Spule 230 V AC G80-B-810
8210001601	Spule 230 V DC Atex Zone 22
8210001602	Spule 24 V DC EX II 3D
8210001604	Spule 110 V AC 7,5 W

## 9.1 Ersatzteile

**VORSICHT! Gefahr von Geräteschäden.**

Verwenden Sie nur Originalersatzteile und -zubehör von Nordfab.

Wenden Sie sich an einen autorisierten Händler in Ihrer Nähe oder an Nordfab, wenn Sie Beratung zum technischen Service oder Hilfe bei Ersatzteilen benötigen. Siehe auch [www.nederman.com](http://www.nederman.com).

**Ersatzteilbestellung**

Geben Sie bei der Bestellung von Ersatzteilen immer Folgendes an:

- Teilenummer und Kontrollnummer (siehe Produktypenschild).
- Genaue Nummer und Name des Ersatzteils (siehe [www.nordfab.com](http://www.nordfab.com)).
- Menge der benötigten Teile.

## 9.2 Recycling

Das Produkt wurde für Komponenten entwickelt, die recycelt werden sollen. Die verschiedenen Materialtypen müssen gemäß den geltenden lokalen Vorschriften gehandhabt werden. Wenden Sie sich bei Unsicherheiten bezüglich der Verschrottung des Produkts am Ende seiner Lebensdauer an den Händler oder an Nordfab.

Manual del usuario:

---

# Amortiguador deslizante / compuerta de explosión **NFES Ø 450-710**

Versión: 02:2022



## Traducción del Manual de instrucciones original

EN USER MANUAL

## Traducción del Manual de instrucciones original

CS NÁVOD K OBSLUZE  
DA BETJENINGSVEJLEDNING  
DE BEDIENUNGSANLEITUNG  
ES MANUAL DE INSTRUCCIONES  
FI KÄYTTÖOHJEET  
FR MANUEL D'INSTRUCTION  
IT MANUALE D'ISTRUZIONE  
NL HANDLEIDING  
NO BRUKSANVISNING  
PL INSTRUKCJA UŻYTKOWANIA  
PT MANUAL DE INSTRUÇÕES SV  
ANVÄNDARMANUAL



23/09/2022

---



**Español**

Manual de instrucciones

## Índice

Declaración de conformidad	4-6
Figuras	7-8
1 Marcado del producto .....	53
2 Prólogo .....	53
3 Seguridad .....	54
4 Datos técnicos.....	54
5 Descripción.....	54
5.1 Modelos .....	55
6 Descripción de productos ATEX .....	55
6.1 Componentes principales .....	55
7 Función .....	56
8 Instalación .....	56
8.1 Instalación eléctrica.....	56
8.2 Conexiones .....	57
8.3 Instrucciones de uso .....	57
8.4 Mantenimiento.....	58
8.5 Puesta a punto y mantenimiento de equipos ATEX .....	58
9 Accesorios .....	61
9.1 Repuestos .....	62
9.2 Reciclaje .....	62

# 1 Marcado del producto

Los NFES Ø 450-710 (consulte Descripción de productos ATEX) de 24 V CA/CC no están clasificados como ATEX y solo están marcados con la etiqueta CE.

Los NFES Ø 450-710 115 V CA 230 V CA 24 V CC están clasificados como ATEX y tienen el marcado:

II 3D Ex h IIIC T85 °C Dc  
 0 °C ≤ Ta ≤ 40 °C  
 Nordfab 19.HB06

Pieza	Significado
II:	Grupo de equipo (no minería)
h:	La letra «h», tal y como se especifica en la norma EN ISO 80079-36.
IIIC:	<p>El equipo del Grupo III está diseñado para su uso en lugares con una atmósfera de polvo explosivo que no sean minas susceptibles al grisú.</p> <p>El equipo del Grupo III se subdivide en función de la naturaleza de la atmósfera de polvo explosivo para la que está destinado.</p> <p>Subdivisiones del Grupo III:</p> <ul style="list-style-type: none"> <li>• IIIA: adecuado para partículas en suspensión combustibles;</li> <li>• IIIB: adecuado para partículas en suspensión combustibles y polvo no conductor;</li> <li>• IIIC: adecuado para partículas en suspensión combustibles, polvo no conductor y polvo conductor.</li> </ul>
T85 °C	La temperatura máxima de la superficie está en grados Celsius.
Dc:	<p>Nivel de protección del equipo Dc. Igual que el antiguo marcado 3D.</p> <p>En el caso de atmósferas explosivas causadas por mezclas de aire y polvos combustibles, el equipo no contiene ninguna fuente de ignición eficaz durante el funcionamiento normal y los fallos de funcionamiento previstos.</p>
0 °C ≤ Ta ≤ 40 °C	Rango de temperatura ambiente.

## Tipo de protección seguridad constructiva «c»

La documentación técnica contiene la información necesaria para mantener la seguridad del producto.

# 2 Prólogo

Lea atentamente este manual antes de la instalación, el uso y el mantenimiento de este producto. Sustituya el manual inmediatamente si se pierde. Nordfab se reserva el derecho, sin previo aviso, a modificar y mejorar sus productos, incluida la documentación.

Este producto está diseñado para cumplir los requisitos de las directivas CE pertinentes. Para mantener este estado, todo el mantenimiento y las reparaciones de la instalación deben ser realizados por personal cualificado que utilice únicamente repuestos y accesorios originales de Nordfab. Póngase en contacto con el distribuidor autorizado más cercano o con Nordfab para obtener asesoramiento sobre el servicio técnico y la obtención de repuestos. Si falta alguna pieza o hay alguna pieza dañada cuando se entregue el producto, notifíquese inmediatamente al transportista y al representante local de Nordfab.

### 3 Seguridad

Este documento contiene información importante que se presenta como precaución de advertencia o nota. Incluimos aquí algunos ejemplos:



**¡ADVERTENCIA! Riesgo de lesiones personales.**

Las advertencias indican un peligro potencial para la salud y la seguridad del personal, y cómo se puede evitar ese peligro.



**¡PRECAUCIÓN! Riesgo de daños en el equipo.**

Las precauciones indican un peligro potencial para el producto, pero no para el personal, y cómo se puede evitar ese peligro.



**¡NOTA!** Las notas contienen otra información importante para el personal.

### 4 Datos técnicos

Tabla 4-1: Dimensiones :

Artículo	Dimensiones
Presión máxima	1 MPa (10 bares)
Presión mínima (para un funcionamiento seguro)	0.5 MPa (5 bares)
Presión recomendada	0.6-0.7 MPa (6-7 bares)
Calidad del aire	ISO 8573-1 clase 5
Temperatura de funcionamiento	0 – 40 °C
Calibre del cableado	mínimo 0.75 mm <sup>2</sup>
Tensiones del solenoide	115 V CA (+10-15 %) 230 V CA (+10-15 %) 24 V CC (+-10 %) o 24 V CA/CC (no ATEX)
Frecuencia	50 / 60 Hz para CA
Tipo de equipo	II 3D Ex h III C T85 °C Dc 0 °C ≤ Ta ≤ 40 °C

### 5 Descripción

El amortiguador de bajo consumo NFES se utiliza en la industria de la madera y el metal como amortiguador de cierre en sistemas de escape cuando no se están utilizando algunas máquinas, lugares de trabajo o tuberías.

El amortiguador de bajo consumo de tipo NFES es una compuerta de explosión automática accionada por cilindros de aire comprimido de doble acción. Diámetro Ø450-710.

El amortiguador de bajo consumo está hecho de chapa de acero galvanizado y equipado con un dispositivo de junta especialmente diseñado, que garantiza una fricción baja y una estanqueidad óptima. El amortiguador se activa electrónicamente.

## 5.1 Modelos

Consulte la figura 1  
Espiga con borde laminado QF/FB

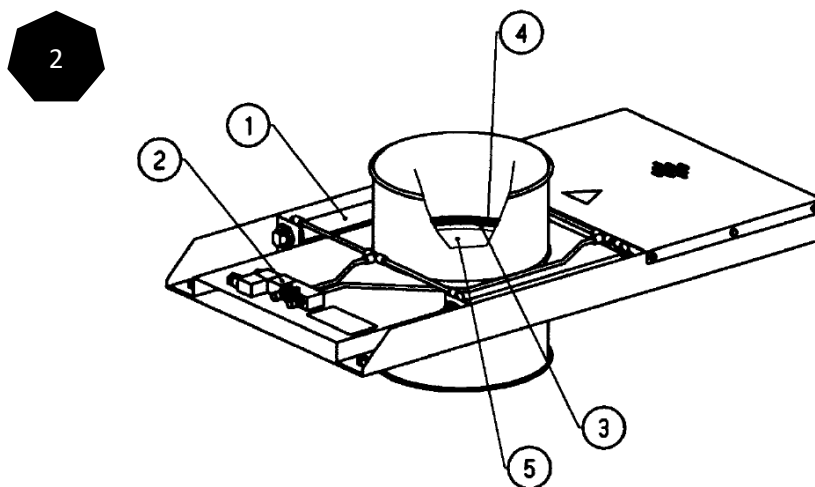
## 6 Descripción de productos ATEX

Si el amortiguador está instalado y conectado correctamente de acuerdo con el manual, no tendrá ninguna fuente de ignición y, por lo tanto, podrá instalarse en todas las zonas ATEX interiores. Si se va a instalar dentro de zonas ATEX, los componentes eléctricos deben marcarse de acuerdo con la zona correspondiente.

### 6.1 Componentes principales

La figura 2 muestra un NFES con un diámetro de 450-710

1. Cilindro de aire comprimido
2. Válvula magnética
3. Anillo de estanqueidad
4. Anillo de goma de esponja
5. Placa del amortiguador



## 7 Función

NFES es una válvula para la apertura y cierre automáticos de una salida de vacío conectada a un sistema de vacío central o sobrepresión. Normalmente, las válvulas son automáticas y se abren y cierran mediante un dispositivo de control. En la figura 1 se muestran ejemplos de uso de NFES.

## 8 Instalación

Coloque la válvula «en línea» en la tubería de vacío o directamente en el equipo al que va a dar servicio. Deben utilizarse manguitos de unión conductores para las tuberías.



### **¡PRECAUCIÓN! Riesgo de daños en el equipo.**

La válvula no debe descargar la carga de las tuberías de conexión ni otras conexiones que puedan causar defectos en la válvula. Asegúrese de que las conexiones estén firmemente instaladas contra la pared, el techo, el suelo o similares. Las conexiones de la manguera deben liberarse de tensión.

Antes de montar la válvula, limpie las tuberías de aire comprimido. Las tuberías de aire comprimido nuevas contienen siempre suciedad que puede causar fallos de funcionamiento. Utilice protección auditiva y gafas de seguridad. Se debe instalar un colector de humedad y suciedad si el aire comprimido es de mala calidad. No se requiere un dispositivo de lubricación por neblina de aceite.

### 8.1 Instalación eléctrica

Para garantizar el funcionamiento correcto y el nivel de protección requerido con respecto a la categoría del equipo, asegúrese de que se comprueben los siguientes puntos:

- La instalación eléctrica y la conexión de la válvula magnética las debe realizar un electricista certificado. Un electricista certificado también debe prestar atención a las condiciones de las instalaciones en zonas clasificadas según ATEX.
- Compruebe que se han tomado las medidas adecuadas para evitar todo tipo de corrientes de fuga eléctricas hacia y/o desde el sistema de tuberías y el cableado eléctrico. Tenga en cuenta que la carcasa NFES Ø 450-710 debe estar correctamente conectada a tierra.
- Las mangueras o tuberías conectadas deben ser conductoras y estar conectadas a tierra.
- Compruebe que se haya conectado la tensión correcta al solenoide de la



válvula magnética. Compruebe el marcado del solenoide.

- Las opciones eléctricas, como los microinterruptores, deben conectarse a un circuito intrínsecamente seguro (para las opciones instaladas en zonas clasificadas ATEX).

## 8.2 Conexiones



### ¡ADVERTENCIA! Riesgo de lesiones personales.

- La presión de aire máxima recomendada es de 1 MPa (10 bares). Se debe instalar un regulador de presión si es probable que la presión exceda la presión máxima. La presión de trabajo recomendada es de 0,6-0,7 MPa (6-7 bares). La presión mínima para un funcionamiento fiable es de 0,5 MPa (5 bares).
  - Las mangueras de aire comprimido deben estar homologadas para la presión real y deben fijarse firmemente en las boquillas de las válvulas. Las abrazaderas de la manguera deben estar colocadas correctamente.
- NFES Ø 450-710 no está equipado con ningún dispositivo de control propio. Está diseñado para el control directo con una válvula piloto remota de 3 puertos (opcional).
  - NFES Ø 450-710 tiene un dispositivo de control con electroválvula. La tensión del solenoide debe coincidir con la tensión de la señal. La tensión estándar es 24 V CA y 24 V CC. La potencia es de 5 VA o 5 W.

## 8.3 Instrucciones de uso



### ¡ADVERTENCIA! Riesgo de lesiones personales.

- Mantenga los dedos alejados de las conexiones de vacío cuando la válvula esté conectada al aire comprimido. El muelle que cierra la válvula es lo suficientemente fuerte como para hacerle daño.
- Asegúrese de que el sistema no transporte material que pueda dañar la válvula NFES Ø 450-710.
- Si penetra un objeto inesperado en el sistema, cierre inmediatamente el suministro de aire comprimido a la válvula y extraiga el objeto.
- La válvula no debe ponerse en funcionamiento hasta que la entrada y la salida de la válvula estén conectadas a tuberías fijas o mangueras de al menos 1 metro de longitud.

## 8.4 Mantenimiento

Para la asistencia técnica y la puesta a punto, póngase en contacto con Nordfab Europe A/S



### **¡ADVERTENCIA! Riesgo de lesiones personales.**

- Los trabajos de mantenimiento solo deben iniciarse cuando el sistema completo se haya detenido correctamente y hasta que se haya interrumpido el suministro eléctrico de forma segura, por ejemplo,
  - La inspección de la sección de la tolva del filtro abriendo las compuertas de inspección no debe realizarse hasta que el sistema de limpieza del filtro se haya activado por completo y la sección de la tolva se haya vaciado de material. En este sentido, se debe comprobar si la limpieza ha sido adecuada examinando la acumulación de polvo residual en las bolsas del filtro.
  - La inspección abriendo las puertas de inspección y similares solo se puede realizar cuando se utiliza equipo de seguridad personal adaptado a las condiciones.
  - Si se utiliza una escalera móvil para el trabajo, debe asegurarse correctamente para garantizar la estabilidad antes de iniciar el trabajo.
  - Para evitar la generación de electricidad estática en el sistema de filtro, debe asegurarse de que el filtro y el polvo conectado, etc. están debidamente conectados a tierra.
  - Fuego abierto, chispas u otra forma de generación de calor como: La soldadura, el esmerilado, taladrado / perforado o ahumado, etc. no puede tener lugar a menos de 3 metros de los filtros, etc. cuando se trabaja con una atmósfera explosiva, como el aire cargado de polvo.
  - Debe asegurarse de que la limpieza se realiza en los filtros y alrededor de ellos, etc. para evitar que el fuego y los residuos de polvo explosivo se enciendan y causen daños graves.

## 8.5 Puesta a punto y reparación

La puesta a punto y las reparaciones solo pueden ser realizados por personal con formación específica. Antes de iniciar cualquier trabajo, desconecte el suministro eléctrico con el interruptor principal y asegúrese de que no se pueda producir un re arranque accidental, por

ejemplo, bloqueando el interruptor principal. La energía acumulada, por ejemplo, en el sistema de aire comprimido, también debe desconectarse, a poder ser descargarse por completo, antes de comenzar el trabajo.

Para los trabajos de puesta a punto y reparación que requieran la presencia de aire cargado de polvo, por ejemplo, en la sección de la tolva del filtro, se debe utilizar el siguiente equipo de seguridad:

1. Dispositivo de protección respiratoria, a poder ser con suministro de aire fresco.
2. Gafas protectoras, a poder ser una careta protectora en conexión con el suministro de aire fresco.
3. Traje ignífugo.
4. Guantes ignífugos.
5. Calzado de seguridad.
6. Casco de seguridad.
7. Herramientas antichispa siempre que sea posible.

La inspección de las bolsas de los filtros cuando permanezcan en la parte superior del filtro después de abrir las puertas de mitigación de explosiones solo puede realizarse cuando el sistema de filtrado se haya detenido. Para este fin, también se debe utilizar el equipo de protección individual mencionado anteriormente.

Si el filtro o similar se limpia con una aspiradora, se debe establecer protección contra la carga eléctrica estática en la disposición de succión.

El taladrado de orificios en la carcasa del filtro o en los conductos contiguos solo se puede realizar cuando el sistema se ha detenido y limpiado, teniendo mucho cuidado y sin generación de calor.

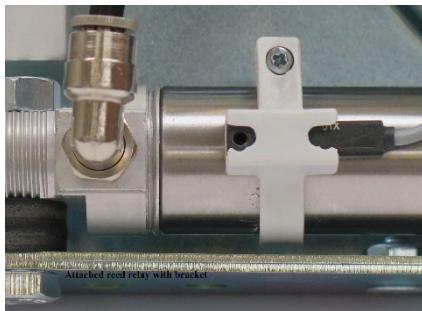
Si se produce cualquier fallo en el sistema eléctrico, deteniendo el sistema y desconectando el rearmado, es posible que no se omita el componente defectuoso para permitir un funcionamiento posterior. Antes de volver a poner en marcha la máquina, se deben llevar a cabo las tareas de detección y resolución de problemas adecuadas.

La eliminación de los componentes sustituidos, el polvo/los residuos de la limpieza, al igual que otros residuos, debe realizarse según las directrices para los materiales en cuestión. Estas directrices normalmente las han establecido las autoridades locales. En caso de duda, se debe consultar con el responsable de seguridad de la empresa.

## 9 Accesorios

### Relés de láminas en pares y soportes

Referencia	Nombre del artículo
8210002005	Relé de interruptor de láminas CST-220, amortiguador 10-110 V CC/10-230 V CA 0,25 A 8 W/10 VA, no ATEX
8111404	Relé de interruptor de láminas CST-332 Amortiguador Ex 10-110 V CC/10-230 V CA 0,25 A 8 W/10 VA clase II 3G/D Zona 2/22 - 10 - +80 °C ATEX



Visite nuestra página web [www.nordfab.com](http://www.nordfab.com) para consultar la ficha técnica y las instrucciones de montaje

### Bobina

Referencia	Nombre del artículo
8210001600	Bobina 230 VCA G80-B-810
8210001601	Bobina 230 VCC zona ATEX 22
8210001602	Bobina 24 VCC EX II 3D
8210001604	Bobina 110 VCA 7,5 W

## 9.1 Repuestos

**¡PRECAUCIÓN! Riesgo de daños en el equipo.**

Utilice únicamente repuestos y accesorios originales de Nordfab.

Póngase en contacto con su distribuidor autorizado más cercano o con Nordfab para obtener asesoramiento sobre el servicio técnico o si necesita ayuda con los repuestos. Consulte también [www.nederman.com](http://www.nederman.com).

**Cómo encargar repuestos**

Cuando encargue repuestos, indique siempre lo siguiente:

- Número de pieza y número de control (consulte la placa de identificación del producto).
- Número de detalle y nombre del repuesto (consulte [www.nordfab.com](http://www.nordfab.com)).
- Cantidad de piezas necesarias.

## 9.2 Reciclaje

El producto se ha diseñado para que se puedan reciclar los materiales de los componentes. Sus diferentes tipos de materiales deben manipularse de acuerdo con las normativas locales pertinentes. Póngase en contacto con el distribuidor o Nordfab si le surgen dudas a la hora de desechar el producto al final de su vida útil.

Liukuva palopelti / ohivirtausventtiili

# NFES Ø 450-710

Versio: 02:2022



## Alkuperäinen käyttöohje

FI KÄYTTÖOHJE

## Alkuperäisen käyttöohjeen käännös

CS NÁVOD K OBSLUZE  
DA BETJENINGSVEJLEDNING  
DE BEDIENUNGSANLEITUNG  
ES MANUAL DE INSTRUCCIONES  
FI KÄYTTÖOHJEET  
FR MANUEL D'INSTRUCTION  
IT MANUALE D'ISTRUZIONE  
NL HANDLEIDING  
NO BRUKSANVISNING  
PL INSTRUKCJA UŻYTKOWANIA  
PT MANUAL DE INSTRUÇÕES SV  
ANVÄNDARMANUAL





## Suomi

### Käyttöohje

## Sisällysluettelo

Vaatimustenmukaisuusvakuutus	4-6
Kuvat	7-8
1 Tuotemerkinnät .....	65
2 Johdanto .....	65
3 Turvallisuus .....	66
4 Tekniset tiedot .....	66
5 Kuvaus .....	66
5.1 Mallit .....	67
6 ATEX-tuotteiden kuvaus .....	67
6.1 Pääkomponentit .....	67
7 Toiminta .....	68
8 Asennus .....	68
8.1 Sähköasennus .....	68
8.2 Liitännät .....	69
8.3 Käyttöohjeet .....	69
8.4 Kunnossapito .....	70
8.5 ATEX-laitteiden huolto ja kunnossapito .....	70
9 Lisävarusteet .....	72
9.1 Varaosat .....	73
9.2 Kierrätys .....	73



# 1 Tuotemerkinnot

NFES Ø 450-710 (katso ATEX-tuotteiden kuvaus) 24 V AC/DC eivät ole ATEX-luokiteltuja ja ne on merkitty vain CE-merkinnällä.

NFES Ø 450-710 115V AC 230V AC 24V DC ovat ATEX-luokiteltuja ja -merkittyjä:

II 3D Ex h IIIC T85°C Dc  
 0 °C ≤ Ta ≤ 40 °C  
 Nordfab 19.HB06

Osa	Selitys
II:	Laiteryhmä (ei kaivostoimintaa)
h:	Kirjain "h" standardin EN ISO 80079-36 mukaisesti.
IIIC:	Ryhmän III laitteet on tarkoitettu käytettäväksi paikoissa, joissa on räjähtävää pölyä, lukuun ottamatta kaivoksia, jotka ovat alltiita kaivoskaasuille.  Ryhmän III laitteet on jaettu sen räjähtävän pölyn mukaan, johon ne on tarkoitettu.  Ryhmän III eri osat: <ul style="list-style-type: none"> <li>• IIIA: soveltuu palaville hiukkasille</li> <li>• IIIB: soveltuu palaville hiukkasille ja sähköä johtamattomalle pölylle</li> <li>• IIIC: soveltuu palaville hiukkasille, sähköä johtavalle ja johtamattomalle pölylle.</li> </ul>
T85°C	Suurin pintalämpötila Celsius-asteina.
Dc:	Laitteiston suojaustaso Dc. Sama kuin entinen 3D-merkintä.  Ilman ja palavien pölyjen seosten aiheuttamia räjähdysvaarallisia ilmaseoksia varten laitteessa ei ole tehokkaita sytytysläheteitä normaalikäytössä ja odotettavissa olevissa toimintahäiriöissä.
0 °C ≤ Ta ≤ 40 °C	Ympäristön lämpötila-alue.

## Suojaustyyppi rakenteellinen turvallisuus "c"

Tekninen dokumentaatio sisältää tiedot, joita tarvitaan tuoteturvallisuuden ylläpitämiseen.

# 2 Johdanto

Lue tämä käyttöohje huolellisesti ennen tuotteen asennusta ja huoltoa. Hanki uusi käyttöohje välittömästi, jos se katoaa. Nordfab pidättää oikeuden ilman ennakoilmoitusta muuttaa ja parantaa tuotteitaan, mukaan lukien dokumentaatio.

Tämä tuote on suunniteltu täyttämään vastaavien EY-direktiivien vaatimukset. Tämän tilan säilyttämiseksi valtuutetun henkilöstön on tehtävä kaikki asennuksen huolto- ja korjaustyöt käyttämällä ainoastaan Nordfabin alkuperäisiä varaosia ja lisävarusteita. Kysy lähimmältä valtuutetulta jälleenmyyjältä tai Nordfabilta neuvoa teknisestä huollosta ja varaosien hankinnasta. Jos tuotteen toimituksessa on vaurioituneita tai puuttuvia osia, ilmoita niistä välittömästi kuljetusyhtiölle ja paikalliselle Nordfabin edustajalle.

### 3 Turvallisuus

Tämä asiakirja sisältää tärkeitä tietoja, jotka esitetään joko varoituksena tai huomautuksena. Katso seuraavat esimerkit:



**VAROITUS! Loukkaantumisvaara.**

Varoitukset ilmoittavat mahdollisesta vaarasta henkilöstön terveydelle ja turvallisuudelle ja siitä, miten vaara voidaan välttää.



**HUOMIO! Laitevaurion vaara.**

Huomiot ilmoittavat mahdollisesta laitteiston vaarasta, joka ei kuitenkaan koske henkilöstöä, ja kertovat, miten vaara voidaan välttää.



**HUOMAA!** Huomautukset antavat muita henkilöstölle tärkeitä tietoja.

### 4 Tekniset tiedot

Taulukko 4-1: Tekniset tiedot

Ominaisuus	Arvo
Enimmäispaine	1 MPa (10 bar)
Vähimmäispaine (turvallisen käytön takaamiseksi)	0,5 MPa (5 bar)
Suosittelut paine	0,6 – 0,7 MPa (6 – 7 bar)
Ilmanlaatu	ISO 8573-1 luokka 5
Käyttölämpötila	0 – 40 °C
Kaapelimita	vähintään 0,75 mm <sup>2</sup>
Solenoidin jännitteet	115 V AC (+10 % – 15 %) 230 V AC (+10 % – 15 %) 24 V DC (+ -10 %) tai 24 V AC/DC (ei ATEX)
Taajuus	50 / 60 Hz vaihtovirtaa varten
Laitetyyppi	II 3D Ex h III C T85°C Dc 0 °C ≤ Ta ≤ 40 °C

### 5 Kuvaus

Energiaa säästävää NFES-palopeltiä käytetään puu- ja metalliteollisuudessa poistojärjestelmien sulkupeltinä, kun jotkin koneet, työpisteet tai putkistot eivät ole käytössä.

Energiaa säästävä palopeltityyppi NFES on kaksitoimisten paineilmasylinterien käyttämä automaattinen ohivirtausventtiili. Halkaisija Ø 450-710.

Energiaa säästävä palopelti on valmistettu galvanoidusta teräslevystä ja varustettu erikoisvalmisteisella tiivistelaitteella, joka takaa alhaisen kitkan ja optimaalisen tiiviiden. Palopelti aktivoidaan elektronisesti.

## 5.1 Mallit

Katso kuva 1

Ohjain valssatulla reunalla QF/FB

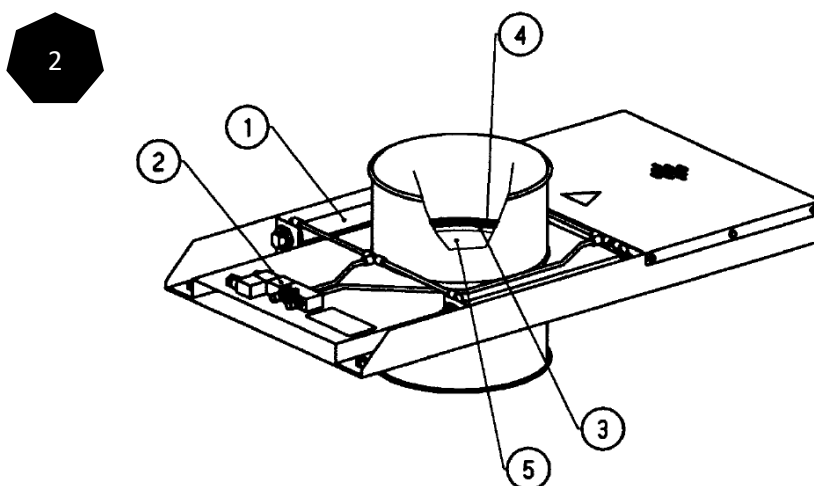
## 6 ATEX-tuotteiden kuvaus

Ohjekirjan mukaisesti asennettuna ja kytkettynä palopellissä ei ole sytytyslähdettä, joten se voidaan asentaa kaikille ATEX-alueille sisätiloissa. Jos laite asennetaan ATEX-alueelle, sähkökomponentit on merkittävä vastaavan alueen mukaisesti.

### 6.1 Pääkomponentit

Kuvassa 2 näkyy NFES Ø 450-710

1. Paineilmasyylinteri
2. Magneettiventtiili
3. Tiivisterengas
4. Kumirengas
5. Palopelti



## 7 Toiminta

NFES on venttiili keskustyhjiöjärjestelmään tai ylipaineeseen liitetyn alipainelähdön automaattiseen avaamiseen ja sulkemiseen. Venttiilit avautuvat ja sulkeutuvat normaalisti automaattisesti ohjauslaitteen avulla. Kuvassa 1 on esimerkkejä siitä, miten NFES-tuotteita voidaan käyttää.

## 8 Asennus

Asenna venttiili ”linjaan” alipaineputkeen tai suoraan laitteeseen, jota sen on tarkoitus palvella. Putkistoon on käytettävä sähköä johtavia liitosholkkeja.



### **HUOMIO! Laitevaurion vaara.**

Venttiili ei saa kantaa liitännäputkien tai muiden liitännöjen kuormitusta, joka voi aiheuttaa vikoja venttiilissä. Varmista, että liitännät on asennettu tukevasti seinää, kattoa, lattiaa tai vastaavaa vasten. Letkuliitännöistä on poistettava jännitys.

Paineilmaletkut on puhallettava puhtaiksi ennen venttiilin asentamista. Uusissa paineilmaletkuissa on aina likaa, joka voi aiheuttaa toimintahäiriöitä. Käytä kuulonsuojaimia ja suojalaseja. Kosteus- ja likasuodatin on asennettava, jos paineilman laatu on huono. Öljysumua käyttävää voitelulaitetta ei tarvita.

### 8.1 Sähköasennus

Varmista asianmukainen toiminta ja vaadittu suojaustaso laiteluokan suhteen tarkistamalla seuraavat kohdat:

- Sähköasennuksen ja magneettiventtiilin kytkennän saa tehdä vain valtuutettu sähköasentaja. Sertifioidun sähköasentajan on myös kiinnitettävä huomiota ATEX-luokiteltujen alueiden asennusolosuhteisiin.
- Tarkista, että on ryhdytty asianmukaisiin toimenpiteisiin kaikenlaisien hajavirtojen välttämiseksi putkistoihin ja sähköjohtoihin ja/tai niistä. Huomaa, että NFES Ø 450-710 -kotelo on maadoitettava asianmukaisesti.
- Kytettyjen letkujen tai putkien on oltava sähköä johtavia ja maadoitettuja.
- Tarkista, että oikea jännite on kytketty magneettiventtiilin solenoidiin. Tarkasta solenoidin merkintä.
- Sähköiset lisäosat (esim. mikrokytkimet) on kytkettävä luonnostaan vaarattomaan piiriin (ATEX-luokitelluille alueille asennetut lisäosat).

## 8.2 Liitännät



### **VAROITUS! Loukkaantumisvaara.**

- Suurin suositeltu ilmanpaine on 1 MPa (10 baaria). Paineensäädin on asennettava, jos paine todennäköisesti ylittää enimmäispaineen. Suositeltu käyttöpaine on 0,6–0,7 MPa (6–7 baaria). Luotettavan toiminnan vähimmäispaine on 0,5 MPa (5 baaria).
- Paineilmaletkujen on oltava hyväksytyjä todelliselle paineelle ja ne on kiinnitettävä varmasti venttiiliniippoihin. Letkunkiinnittimet on asennettava oikein.
- Venttiili on suunniteltu tyhjiötä varten, ts. sen saa asentaa vain
  - NFES Ø 450-710 -mallissa ei ole erillistä ohjauslaitetta. Se on tarkoitettu suoraan ohjaukseen 3-porttisella ohjausventtiilillä (lisävaruste).
  - NFES Ø 450-710 magneettiventtiilin ohjauslaite. Magneettiventtiilin jännitteen on vastattava signaalijännitettä. Vakiojännite on 24 42 230 V AC ja 24 V DC. Teho on 5 VA tai 5 W.

## 8.3 Käyttöohjeet



### **VAROITUS! Loukkaantumisvaara.**

- Pidä sormet poissa alipaineliitännöistä, kun venttiili on liitetty paineilmaan. Venttiilin sulkeva jousi on niin vahva, että se aiheuttaa epämukavuutta.
- Varmista, että järjestelmä ei kuljeta materiaalia, joka voi vaurioittaa venttiiliä NFES Ø 450-710.
- Jos järjestelmään tulee odottamaton esine, sulje venttiilin paineilman syöttö välittömästi ja poista esine.
- Venttiiliä ei saa ottaa käyttöön, ennen kuin venttiilin tulo- ja lähtöliitännät on kytketty pysyviin ja vähintään yhden metrin pituisiin putkiin tai letkuihin.

## 8.4 Kunnossapito

Huoltoa ja teknistä tukea varten ota yhteyttä Nordfab Europe A/S:ään



### **VAROITUS! Loukkaantumisvaara.**

- Huoltotöitä ei saa aloittaa, ennen kuin koko järjestelmä on pysäytetty asianmukaisesti ja virransyöttö on katkaistu turvallisella tavalla, esimerkiksi lukitsemalla pääkytkin.

- Suodatinsuppilo-osan tarkastusta ei saa suorittaa tarkastusluukkuja avaamalla, ennen kuin suodattimen puhdistusjärjestelmä on aktivoitu kokonaan ja suppilo-osa on tyhjennetty materiaalista. Tämän liitännän riittävä puhtaus on varmistettava tarkistamalla pölyjäämien laskeutuminen suodatinpusseissa.
- Tarkastus avaamalla tarkastusluukut ja vastaavat voidaan suorittaa vain, kun käytetään olosuhteisiin mukautettuja henkilösuojaimia.
- Jos työssä käytetään liikuteltavia tikkaita, ne on kiinnitettävä kunnolla vakauden varmistamiseksi ennen työn aloittamista.
- Staattisen sähkön muodostumisen estämiseksi suodatinjärjestelmässä on varmistettava, että suodatin ja siihen liittyvä pöly jne. on maadoitettu asianmukaisesti.
- Avotuli, kipinöinti tai jokin muu lämmöntuotannon muoto (esim. hitsaus, hionta, poraus, tupakointi jne.) tulee pitää vähintään kolmen metrin päässä suodattimista jne. räjähdysvaarallisissa tiloissa, kuten pölyisessä ympäristössä.
- Suodattimet ja niiden ympäristö jne. tulee puhdistaa tulipalon ja räjähtävän pölyn syttymisen ja vakavien vahinkojen ehkäisemiseksi.

## 8.5 Huolto ja korjaus

Huolto- ja korjaustyöt saa suorittaa vain erikoiskoulutettu henkilökunta. Ennen töiden aloittamista energian syöttö on katkaistava pääkatkaisimesta, ja tahaton uudelleenkäynnistys tulee estää esimerkiksi lukitsemalla pääkatkaisin. Kertynyt energia (esim. paineilmajärjestelmässä) on myös kytkettävä pois päältä ja mahdollisesti tyhjennettävä kokonaan ennen töiden aloittamista.

Seuraavia turvalaitteita on käytettävä, kun huolto- ja korjaustyöt suoritetaan pölyisessä ympäristössä, kuten suodatinsuppilossa:

1. hengityssuojain, mahdollisesti erillisellä ilmansyötöllä
2. suojalasit, mahdollisesti ilmansyöttöön liitetty suojanaamari
3. palopuku
4. palosuojatut työkäsiineet
5. turvajalkineet
6. suojakypärä
7. kipinöimättömät työkalut aina kun mahdollista.

Suodatinpussien tarkastus pysyessäsi suodattimen yläosassa räjähdysuojaluukkujen avaamisen jälkeen voidaan suorittaa vain, kun suodatinjärjestelmä on pysähtynyt. Tähän tarkoitukseen on käytettävä myös edellä mainittuja henkilösuojaimia.

Jos suodatin tai vastaava puhdistetaan pölynimurilla, se on suojattava staattiselta sähkölataukselta imujärjestelmässä.

Suodatinkoteloon tai viereisiin putkikanaviin saa porata reikiä vain järjestelmän ollessa pysäytetty ja puhdistettu, suurta huolellisuutta noudattaen ja muodostamatta lämpöä.

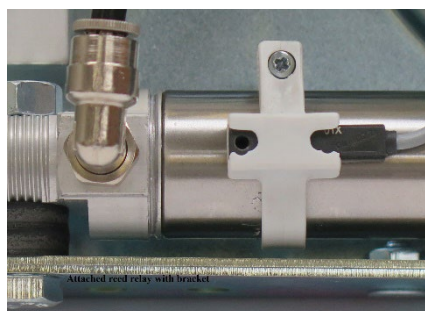
Jos sähköjärjestelmässä ilmenee vika, järjestelmä tulee pysäyttää ja uudelleenkäynnistys estää, jotta viallista komponenttia ei voitaisi ohittaa käytön jatkamiseksi. Asianmukainen vianmääritys ja korjaus on suoritettava ennen uudelleenkäynnistystä.

Vaihdetut osat, puhdistuksesta syntynyt pöly/jäte sekä muu jäte on hävitettävä kunkin materiaalin ohjeiden mukaisesti. Paikalliset viranomaiset ovat yleensä laatineet nämä ohjeet. Epäselvissä tapauksissa on otettava yhteyttä yrityksen turvallisuudesta vastaavaan henkilöön.

## 9 Lisävarusteet

### Reed-releet pareittain ja pidikkeet

Osanumero	Tuotenimi
8210002005	Reed-kytkinrele CST-220, palopelti 10-110 VDC/10-230 VAC 0,25 A 8 W/10 VA ei Atex
8111404	Reed-kytkinrele CST-332 Ex palopelti 10-110 V DC/10-230 V AC 0,25 A 8 W/10 VA luokka II 3G/D alue 2/22 -10 – +80 °C Atex



Tekniset tiedot ja asennusohjeet löytyvät verkkosivuiltamme osoitteesta [www.nordfab.com](http://www.nordfab.com).

### Kelat

Osanumero	Tuotenimi
8210001600	Kela 230VAC G80-B-810
8210001601	Kela 230 VDC Atex-alue 22
8210001602	Kela 24VDC EX II 3D
8210001604	Kela 110 VAC 7,5 W



## 9.1 Varaosat

**HUOMIO! Laitteaurion vaara.**

Käytä vain Nordfabin alkuperäisiä varaosia ja lisävarusteita.

Ota yhteyttä lähimpään valtuutettuun jälleenmyyjään tai Nordfabiin saadaksesi neuvoja teknisestä huollosta tai jos tarvitset apua varaosien kanssa. Katso myös [www.nederman.com](http://www.nederman.com).

**Varaosien tilaaminen**

Kun tilaat varaosia, ilmoita aina seuraavat tiedot:

- Osanumero ja tarkastusnumero (katso tuotteen tunnistekilpi).
- Varaosan tarkka numero ja nimi (katso [www.nordfab.com](http://www.nordfab.com)).
- Tarvittavien osien määrä.

## 9.2 Kierrätys

Tuote on suunniteltu niin, että osien materiaalt voidaan kierrättää. Eri materiaalityyppejä on käsiteltävä soveltuvien paikallisten määräysten mukaisesti. Ota yhteyttä jälleenmyyjään tai Nordfabiin, jos tuotteen käytöstäpoiston yhteydessä ilmenee epäselvyyksiä.

## Amortisseur coulissant/Grille de soufflage

# NFES Ø 450-710

Version : 02:2022



### Manuel d'utilisation original

FR MANUEL D'UTILISATION

### Traduction du manuel d'utilisation original

CS NÁVOD K OBSLUZE  
DA BETJENINGSVEJLEDNING  
DE BEDIENUNGSANLEITUNG  
ES MANUAL DE INSTRUCCIONES  
FI KÄYTTÖOHJEET  
FR MANUEL D'INSTRUCTION  
IT MANUALE D'ISTRUZIONE  
NL HANDLEIDING  
NO BRUKSANVISNING  
PL INSTRUKCJA UŻYTKOWANIA  
PT MANUAL DE INSTRUÇÕES SV  
ANVÄNDARMANUAL





## Français

### Manuel d'utilisation

## Table des matières

Déclaration de conformité	4-6
Figures	7-8
1 Marquage du produit.....	76
2 Préface .....	76
3 Sécurité .....	77
4 Caractéristiques techniques.....	77
5 Description.....	77
5.1 Modèles .....	78
6 Description des produits ATEX .....	78
6.1 Principaux composants .....	78
7 Fonction .....	79
8 Installation .....	79
8.1 Installation électrique.....	79
8.2 Connexions .....	80
8.3 Mode d'emploi .....	80
8.4 Maintenance.....	81
8.5 Entretien et maintenance de l'équipement ATEX.....	81
9 Accessoires .....	84
9.1 Pièces de rechange .....	85
9.2 Recyclage .....	85

# 1 Marquage du produit

Les NFES Ø 450-710 (voir Description des produits ATEX) 24 V CA/CC ne sont pas classés ATEX et portent uniquement le marquage CE.

Les NFES Ø 450-710 115 V CA 230 V CA 24 V CC sont classés ATEX et marqués :

II 3D Ex h IIIC T85 °C Dc  
 0 C≤Ta≤40 °C  
 Nordfab 19.HB06

Pièce	Explications
II :	Groupe d'équipement (hors exploitation minière)
h :	La lettre « h » telle que spécifiée dans la norme EN ISO 80079-36.
IIIC :	<p>Les équipements du groupe III sont destinés à être utilisés dans des endroits où règne une atmosphère poussiéreuse explosive autre que les mines sensibles au grisou.</p> <p>Les équipements du groupe III sont subdivisés en fonction de la nature de l'atmosphère poussiéreuse explosive à laquelle ils sont destinés.</p> <p>Sous-divisions du groupe III :</p> <ul style="list-style-type: none"> <li>• IIIA : adapté aux parcelles combustibles ;</li> <li>• IIIB : adapté aux poussières combustibles volantes et non conductrices ;</li> <li>• IIIC : adapté aux poussières combustibles volantes non conductrices et aux poussières conductrices.</li> </ul>
T85 °C	La température de surface maximale en degrés Celsius.
Dc :	<p>Niveau de protection de l'équipement Dc Identique à l'ancien marquage 3D.</p> <p>Pour les atmosphères explosives causées par des mélanges d'air et de poussières combustibles, l'équipement ne contient aucune source d'inflammation efficace en fonctionnement normal et en cas de dysfonctionnements attendus.</p>
0 C≤Ta≤40 °C	Plage de température ambiante.

## Type de protection sécurité de construction « c »

La documentation technique contient les informations nécessaires au maintien de la sécurité du produit.

# 2 Préambule

Lisez attentivement ce manuel avant d'installer, d'utiliser et d'entretenir ce produit. Remplacez immédiatement le manuel s'il est perdu. Nordfab se réserve le droit, sans préavis, de modifier et d'améliorer ses produits, y compris sa documentation.

Ce produit est conçu pour répondre aux exigences des directives CE pertinentes. Pour maintenir cet état, l'ensemble des travaux de maintenance et de réparation de l'installation doit être effectué par du personnel qualifié utilisant uniquement des pièces de rechange et des accessoires d'origine Nordfab. Contactez le distributeur agréé le plus proche ou Nordfab pour obtenir des conseils sur le service technique et obtenir des pièces de rechange. Si des pièces sont endommagées ou manquantes à la livraison du produit, informez-en immédiatement le transporteur et le représentant local Nordfab.

### 3 Sécurité :

Ce document contient des informations importantes présentées sous la forme d'un avertissement ou d'une remarque. Voir les exemples suivants :



**AVERTISSEMENT ! Risque de blessures.**

Les avertissements indiquent un danger potentiel pour la santé et la sécurité du personnel, et la manière dont ce danger peut être évité.



**ATTENTION ! Risque de dommages matériels.**

Les mises en garde indiquent un danger potentiel pour le produit, mais pas pour le personnel, et la manière d'éviter ce danger.



**REMARQUE !** Les remarques contiennent d'autres informations importantes pour le personnel.

### 4 Caractéristiques techniques

Tableau 4-1 : Dimensions

Item	Dimension
Pression maximale	1 MPa (10 bars)
Pression minimale (pour un fonctionnement sûr)	0,5 MPa (5 bars)
Pression recommandée	0,6 – 0,7 MPa (6 – 7 bars)
Qualité de l'air	ISO 8573-1 classe 5
Température de service	0 à 40 °C
Calibre de câblage	minimum 0,75 mm <sup>2</sup>
Tensions des solénoïdes	115 V CA (+10 % -15 %) 230 V CA (+10 % -15 %) 24 V CC (+-10 %) ou 24 V CA/CC (non ATEX)
Fréquence	50/60 Hz pour CA
Type d'équipement	II 3D Ex h IIIIC T85 °C Dc 0 °C ≤ Ta ≤ 40 °C

### 5 Description

L'amortisseur d'économie d'énergie NFES est utilisé dans l'industrie du bois et des métaux comme amortisseur de fermeture dans les systèmes d'échappement lorsque certaines machines, postes de travail ou canalisations ne sont pas utilisés.

L'amortisseur d'économie d'énergie type NFES est un registre automatique entraîné par des vérins à air comprimé à double effet. Diamètre Ø450-710.

L'amortisseur à économie d'énergie est fabriqué en tôle d'acier galvanisé et équipé d'un dispositif d'étanchéité spécialement conçu, qui garantit une faible friction et une étanchéité optimale. L'amortisseur est activé électroniquement.

## 5.1 Modèles

Voir figure 1  
Goujon à bord roulé QF/FB

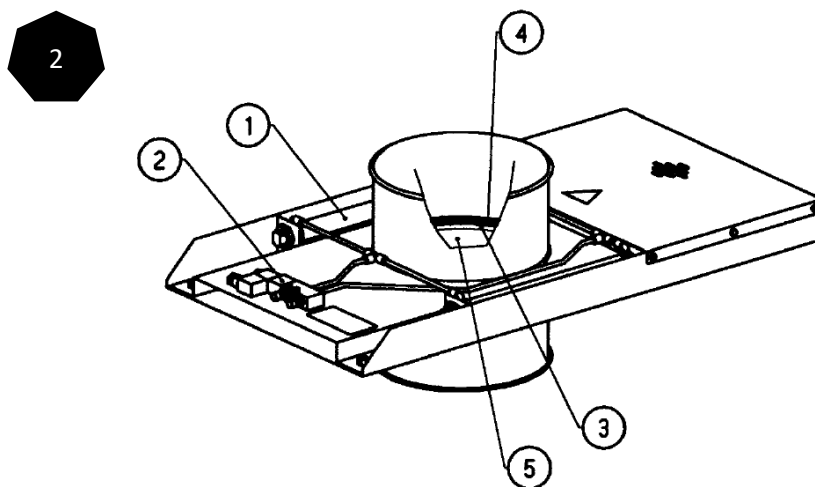
## 6 Description des produits ATEX

Si l'amortisseur est installé et raccordé correctement conformément au manuel, il n'a pas de source d'inflammation et peut donc être installé dans toutes les zones ATEX intérieures. S'il doit être installé dans des zones ATEX, les composants électriques doivent être marqués conformément à la zone concernée.

### 6.1 Principaux composants

La figure 2 montre un NFES Ø 450-710

1. Vérin pneumatique
2. Électrovanne
3. Bague d'étanchéité
4. Anneau en caoutchouc éponge
5. Plaque d'amortissement



## 7 Fonction

NFES est une vanne d'ouverture et de fermeture automatique d'une sortie de vide reliée à un système de vide centralisé ou à une surpression. Les vannes sont normalement automatiques, elles s'ouvrent et se ferment sous l'action d'un dispositif de commande. Voir la figure 1 pour des exemples d'utilisation du NFES.

## 8 Installation

Installez la vanne « en ligne » dans le tuyau de vide ou directement sur l'équipement qu'elle doit servir. Des manchons de raccordement conducteurs pour la tuyauterie doivent être utilisés.



### **ATTENTION ! Risque de dommages matériels.**

La vanne ne doit pas dénuder la charge des tuyaux de raccordement ou d'autres raccords, car cela pourrait entraîner des défauts sur la vanne. Assurez-vous que les connexions sont fermement installées contre le mur, le plafond, le sol ou autre. Les raccords de flexible doivent être détendus.

Les conduites pneumatiques doivent être nettoyées à l'air comprimé avant le montage de la valve. Les conduites d'air comprimé neuves contiennent toujours des impuretés susceptibles de perturber le fonctionnement. Porter une protection auditive et des lunettes de protection. Un piège à humidité et à saletés doit être installé si l'air comprimé est de mauvaise qualité. Un dispositif de lubrification par brouillard d'huile n'est pas nécessaire.

### 8.1 Installation électrique

Pour garantir le bon fonctionnement et le niveau de protection requis en ce qui concerne la catégorie d'équipement, assurez-vous que les points suivants sont contrôlés :

- L'installation électrique et le raccordement de l'électrovanne doivent être effectués par un électricien certifié. Un électricien certifié doit également prêter attention aux conditions d'installation dans les zones classées ATEX.
- Vérifiez que les mesures appropriées ont été prises pour éviter tous les types de courants vagabonds vers et/ou depuis le système de tuyauterie et le câblage électrique. Notez que le boîtier NFES Ø 450-710 doit être correctement mis à la terre.
- Les tuyaux ou conduites raccordés doivent être conducteurs et mis à la terre.
- Vérifiez que la tension correcte est raccordée au solénoïde de

l'électrovanne. Vérifier le repère sur l'électrovanne.

- Les options électriques telles que les microrupteurs doivent être raccordées à un circuit à sécurité intrinsèque (pour les options installées dans les zones classées ATEX).

## 8.2 Connexions



### AVERTISSEMENT ! Risque de blessures.

- La pression d'air maximale recommandée est de 1 MPa (10 bars). Un régulateur de pression doit être installé si la pression est susceptible de dépasser la pression maximale. La pression de service recommandée est de 0,6-0,7 MPa (6-7 bars). La pression minimale pour un fonctionnement fiable est de 0,5 MPa (5 bars).
- Les tuyaux d'air comprimé doivent être approuvés pour la pression réelle et doivent être solidement fixés aux raccords de vanne. Les colliers de serrage doivent être montés correctement.

- NFES Ø 450-710 n'est pas équipé de son propre dispositif de commande. Il est prévu pour un contrôle direct avec une vanne pilote à 3 voies à distance (option).
- NFES Ø 450-710 un dispositif de commande d'électrovanne. La tension de l'électrovanne doit correspondre à celle du signal. La tension standard est de 24 V CA et 24 V CC. La puissance est de 5 VA ou 5 W.

## 8.3 Mode d'emploi



### AVERTISSEMENT ! Risque de blessures.

- Ne pas toucher les raccords de vide lorsque la vanne est raccordée à l'air comprimé. Le ressort qui ferme la valve est suffisamment puissant pour provoquer une gêne.
- Assurez-vous que le système ne transporte pas de matériaux susceptibles d'endommager la vanne NFES Ø 450-710.
- Si un objet inattendu pénètre dans le système, coupez immédiatement l'alimentation en air comprimé de la vanne et retirez l'objet.
- La vanne ne doit pas être mise en service tant que l'entrée et la sortie de la vanne ne sont pas raccordées à des tuyaux ou flexibles fixes d'au moins 1 mètre de long.



## 8.4 Maintenance

Pour l'entretien et l'assistance technique, veuillez contacter Nordfab Europe A/S



### **AVERTISSEMENT ! Risque de blessures.**

- Les travaux de maintenance ne peuvent pas commencer tant que l'ensemble du système n'a pas été arrêté correctement et que l'alimentation n'a pas été coupée de manière sûre, par exemple en
  - L'inspection de la section de la trémie du filtre en ouvrant les portes d'inspection ne peut pas être effectuée tant que le système de nettoyage du filtre n'a pas été complètement activé et que la section de la trémie n'a pas été vidée de tout matériau. À cet égard, il convient de vérifier si le nettoyage a été adéquat en examinant le dépôt de poussière résiduelle sur les manches filtrantes.
  - L'inspection par l'ouverture des portes d'inspection et autres ne peut être effectuée que si un équipement de protection individuelle adapté aux conditions est utilisé.
  - Si une échelle mobile est utilisée pour les travaux, elle doit être fixée correctement pour assurer la stabilité avant de commencer les travaux.
  - Pour éviter la production d'électricité statique dans le système de filtration, il convient de s'assurer que le filtre et la poussière liée, etc. sont correctement mis à la terre.
  - Feu ouvert, étincelles ou toute autre forme de génération de chaleur telle que : Soudage, meulage, perçage/alésage ou fumage, etc. ne peut pas avoir lieu à moins de 3 mètres des filtres, etc. fonctionnant dans une atmosphère explosive, comme de l'air chargé de poussière.
  - Il convient de s'assurer que le nettoyage est effectué sur et autour des filtres, etc. afin d'éviter que les déchets de poussières explosives et d'incendie ne s'enflamment et ne causent de graves dommages.

## 8.5 Entretien et réparation

L'entretien et les réparations ne peuvent être effectués que par du personnel spécialement formé. Avant toute intervention, l'alimentation électrique doit être coupée au niveau de l'interrupteur principal et il convient de s'assurer qu'aucun redémarrage involontaire ne puisse se

produire, par exemple en verrouillant l'interrupteur principal. L'énergie accumulée, par exemple dans le système d'air comprimé, doit également être coupée, le cas échéant déchargée, avant de commencer les travaux.

Pour les travaux d'entretien et de réparation nécessitant d'être dans l'air chargé de poussière, par exemple dans la section de la trémie du filtre, les équipements de sécurité suivants doivent être utilisés :

1. Dispositif de protection respiratoire, éventuellement avec alimentation en air frais.
2. Lunettes de protection, éventuellement masque de protection avec arrivée d'air frais.
3. Combinaison ignifuge.
4. Gants de travail ignifuges
5. Chaussures de sécurité
6. Casque de protection
7. Outils antidéflagrants dans la mesure du possible.

L'inspection des manches filtrantes lorsque vous vous trouvez en haut du filtre après l'ouverture des portes de protection contre les explosions ne peut être effectuée que lorsque le système de filtre est arrêté. À cet effet, les équipements de protection individuelle mentionnés ci-dessus doivent également être utilisés.

Si le filtre ou un élément similaire est nettoyé à l'aide d'un aspirateur, une protection contre la charge électrostatique doit être assurée dans le dispositif d'aspiration.

Le perçage de trous dans le boîtier du filtre ou dans les conduits adjacents ne peut être effectué que lorsque le système est arrêté et nettoyé, avec le plus grand soin et sans génération de chaleur.

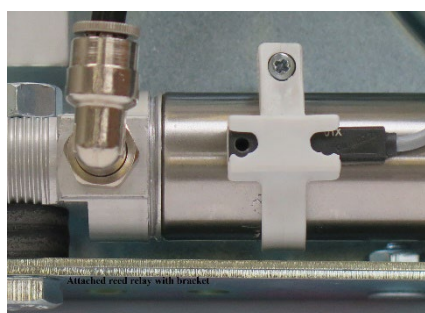
Si un ou plusieurs défauts surviennent dans le système électrique, entraînant l'arrêt du système et la déconnexion du redémarrage, le composant défectueux ne doit pas être shunté pour permettre son fonctionnement ultérieur. Un dépannage et une réparation appropriés doivent être effectués avant de redémarrer.

La mise au rebut des composants remplacés, de la poussière/des déchets provenant du nettoyage, ainsi que des autres déchets, doit être effectuée conformément aux directives pour les matériaux particuliers. Ces directives ont normalement été établies par les autorités locales. En cas de doute, le responsable de la sécurité de l'entreprise doit être consulté.

## 9 Accessoires

### Relais Reed par paire et supports

Référence article	Nom de l'article
8210002005	Relais contact Reed CST-220 Amortisseur 10-110 VCC/10-230 VCA 0,25 A 8 W/10 VA Non classé ATEX
8111404	Relais de contact Reed CST-332 Ex Amortisseur 10-110 V CC/10-230 V CA 0,25 A 8 W/10 VA classe II 3G/D Zone 2/22 -10 - +80 °C ATEX



Veuillez consulter notre page Web [www.nordfab.com](http://www.nordfab.com) pour obtenir la fiche technique et les instructions d'assemblage

### Bobine

Référence article	Nom de l'article
8210001600	Bobine 230 V CA G80-B-810
8210001601	Bobine 230 V CC ATEX Zone 22
8210001602	Bobine 24 VCC EX II 3D
8210001604	Bobine 110 VCA 7,5 W

## 9.1 Pièces de rechange

**ATTENTION ! Risque de dommages matériels.**

Utilisez uniquement des pièces de rechange et des accessoires d'origine

Contactez votre distributeur agréé le plus proche ou Nordfab pour obtenir des conseils sur le service technique ou si vous avez besoin d'aide pour les pièces de rechange. Voir également [www.nederman.com](http://www.nederman.com).

**Commande de pièces de rechange**

Lorsque vous commandez des pièces de rechange, indiquez toujours ce qui suit :

- Référence pièce et numéro de contrôle (voir la plaque signalétique du produit).
- Numéro détaillé et nom de la pièce de rechange (voir [www.nordfab.com](http://www.nordfab.com)).
- Quantité de pièces nécessaires.

## 9.2 Recyclage

Le produit a été conçu pour que les composants soient recyclés. Ses différents types de matériaux doivent être manipulés conformément aux réglementations locales en vigueur. Contactez le distributeur ou Nordfab en cas de doute lors de la mise au rebut du produit en fin de vie.

Serranda scorrevole / valvola a saracinesca

# NFES Ø 450-710

Versione: 02:2022



## Manuale d'uso originale

MANUALE D'USO IT

## Traduzione del manuale d'uso originale

CS NÁVOD K OBSLUZE  
DA BETJENINGSVEJLEDNING  
DE BEDIENUNGSANLEITUNG  
ES MANUAL DE INSTRUCCIONES  
FI KÄYTTÖOHJEET  
ISTRUZIONI PER L'USO FR  
ISTRUZIONI PER L'USO IT  
NL HANDLEIDING  
NESSUNA BRUKSANVISNING  
PL INSTRUKCJA U—YTKOWANIA  
PT MANUAL DE INSTRU-SV  
ANVÄNDARMANUAL





## Italiano

### Manuale d'uso

## Indice dei contenuti

Declaration of conformity	4-6
Figures	7-8
1 Marcatura del prodotto .....	88
2 Introduzione.....	88
3 Sicurezza .....	89
4 Dati tecnici .....	89
5 Descrizione.....	89
5.1 Modelli .....	90
6 Descrizione dei prodotti ATEX .....	90
6.1 Componenti principali .....	90
7 Funzione .....	91
8 Installazione .....	91
8.1 Installazione elettrica .....	91
8.2 Collegamenti.....	92
8.3 Istruzioni per l'uso .....	92
8.4 Manutenzione.....	93
8.5 Assistenza e manutenzione delle apparecchiature ATEX.....	93
9 Accessori .....	96
9.1 Parti di ricambio.....	97
9.2 Riciclaggio .....	97

# 1 Contrassegno prodotto

NFES Ø 450-710 (vedere Descrizione dei prodotti ATEX) 24 V CA/CC non sono classificati ATEX e sono contrassegnati solo con il marchio CE.

NFES Ø 450-710 115 V CA 230 V CA 24 V CC sono ATEX classificato e contrassegnato:

II 3D Ex h IIIC T85°C Dc  
 0°C ≤ Ta ≤ 40°C  
 Nordfab 19.HB06

Pezzo	Descrizione
II:	Gruppo di attrezzature (non minerarie)
h:	La lettera "h" come specificato nella norma EN ISO 80079-36.
IIIC:	<p>Le apparecchiature del gruppo III sono destinate all'uso in luoghi con atmosfera di polvere esplosiva diversi dalle miniere suscettibili di grisù.</p> <p>Le apparecchiature del Gruppo III sono suddivise in base alla natura dell'atmosfera contenente polveri esplosive a cui sono destinate.</p> <p>Suddivisioni del gruppo III:</p> <ul style="list-style-type: none"> <li>• IIIA: adatto per pulviscolo combustibile;</li> <li>• IIIB: adatto per pulviscolo combustibile e polvere non conduttiva;</li> <li>• IIIC: adatto per polveri combustibili non conduttive e conduttive.</li> </ul>
T85°C	La temperatura superficiale massima in gradi Celsius.
CC:	<p>Livello di protezione dell'apparecchiatura CC Come per la vecchia marcatura 3D.</p> <p>Per le atmosfere esplosive causate da miscele di aria e polveri combustibili, l'apparecchiatura non contiene fonti di innesco efficaci durante il normale funzionamento e i malfunzionamenti previsti.</p>
0°C ≤ Ta ≤ 40°C	Intervallo di temperatura ambiente.

## Tipo di protezione sicurezza strutturale "c"

La documentazione tecnica contiene le informazioni necessarie per garantire la sicurezza del prodotto.

# 2 Premessa

Leggere attentamente il presente manuale prima dell'installazione e della manutenzione di questo prodotto. In caso di smarrimento, sostituire immediatamente il manuale. Nordfab si riserva il diritto, senza preavviso, di modificare e migliorare i propri prodotti, inclusa la documentazione.

Questo prodotto è progettato per soddisfare i requisiti delle direttive CE pertinenti. Per mantenere questo stato, tutte le operazioni di manutenzione e riparazione devono essere eseguite da personale qualificato che utilizza esclusivamente parti di ricambio e accessori originali Nordfab. Contattare il distributore autorizzato più vicino o Nordfab per ricevere consigli sull'assistenza tecnica e sui ricambi. In caso di parti danneggiate o mancanti alla consegna del prodotto, avvisare immediatamente il corriere e il rappresentante Nordfab locale.



### 3 Sicurezza operativa

Questo documento contiene informazioni importanti presentate come avvertenza o nota. Vedere i seguenti esempi:



**AVVERTENZA! Rischio di lesioni.**

Le avvertenze indicano un potenziale pericolo per la salute e la sicurezza del personale e spiegano come evitarlo.



**ATTENZIONE! Rischio di danni all'apparecchiatura.**

Le precauzioni indicano un potenziale pericolo per il prodotto ma non per il personale e il modo in cui tale pericolo può essere evitato.



**NOTA!** Le note contengono altre informazioni importanti per il personale.

### 4 Dati tecnici

Tabella 4-1: Dimensioni

Articolo	Dimensioni
Pressione massima	1 MPa (10 bar)
Pressione minima (per un funzionamento sicuro)	0.5 MPa (5 bar)
Pressione consigliata	0.6 - 0.7 MPa (6 - 7 bar)
Qualità dell'aria	ISO 8573-1 classe 5
Temperatura di lavoro	0 – 40 °C
Calibro di cablaggio	minimo 0.75 mm <sup>2</sup>
Tensioni dei solenoidi	115 V AC (+10% -15%) 230 V CA (+10% -15%) 24 V CC (+ -10%) o 24 V CA/CC (non ATEX)
Frequenza	50/60 Hz per CA
Modello apparecchio	II 3D Ex h III C T85°C Dc 0°C ≤ Ta ≤ 40°C

### 5 Descrizione

La serranda a risparmio energetico NFES viene utilizzata nell'industria della lavorazione del legno e del metallo come serranda di chiusura nei sistemi di scarico quando alcune macchine, postazioni di lavoro o tubazioni non sono in uso.

Lo smorzatore a risparmio energetico NFES è una valvola di sicurezza a saracinesca automatica azionata da cilindri ad aria compressa a doppio effetto. Diametro Ø450-710.

La serranda a risparmio energetico è realizzata in lamiera di acciaio zincato e dotata di un dispositivo di guarnizione appositamente costruito, che garantisce un basso attrito e una tenuta ottimale. La serranda viene attivata elettronicamente.

## 5.1 Modelli

Vedere figura 1.

Tappo con bordo arrotondato QF/FB

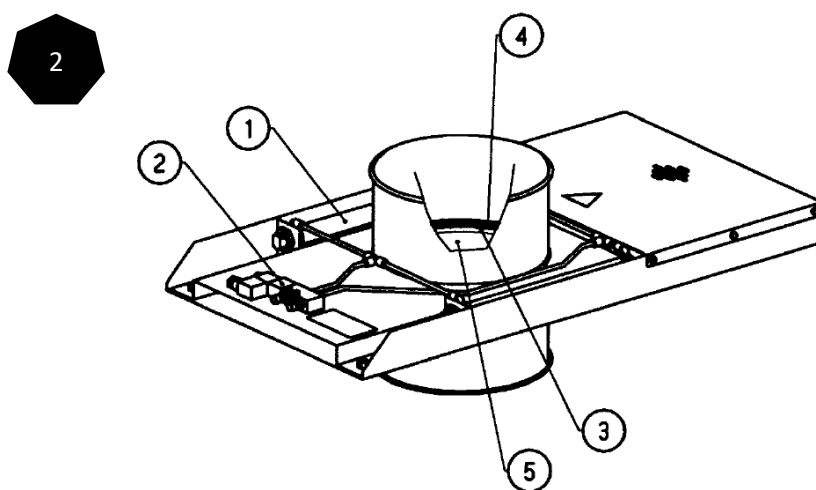
## 6 Descrizione dei prodotti ATEX

Se la serranda è installata e collegata correttamente secondo il manuale, non ha alcuna fonte di accensione e può quindi essere montata in tutte le zone ATEX interne. Se devono essere installati in zone ATEX, i componenti elettrici devono essere contrassegnati in base alla zona pertinente.

### 6.1 Componenti principali

La figura 2 mostra un NFES Ø 450-710

1. Cilindro ad aria compressa
2. Valvola magnetica
3. Anello di tenuta
4. Anello in gomma spugnosa
5. Piastra ammortizzante



## 7 Funzione

NFES è una valvola per l'apertura e la chiusura automatica di un'uscita del vuoto collegata a un sistema di vuoto centralizzato o sovrappressione. Le valvole sono normalmente automatiche e si aprono e si chiudono in base a un dispositivo di controllo. Vedere la figura 1 per esempi di utilizzo di NFES.

## 8 Installazione

Montare la valvola "in linea" nel tubo del vuoto o direttamente sull'attrezzatura che deve servire. Utilizzare manicotti di giunzione per tubazioni.



### **ATTENZIONE! Rischio di danni all'apparecchiatura.**

La valvola non deve sostenere il carico dei tubi di collegamento o di altri collegamenti che potrebbero causare difetti alla valvola. Assicurarsi che i collegamenti siano installati saldamente contro la parete, il soffitto, il pavimento o simili. Le connessioni dei flessibili devono essere prive di

Le tubazioni dell'aria compressa devono essere pulite con aria compressa prima di montare la valvola. Le nuove tubazioni dell'aria compressa contengono sempre sporco che può causare anomalie di funzionamento. Indossare otoprotettori e occhiali protettivi. Se l'aria compressa è di scarsa qualità, è necessario installare un sifone per l'umidità e lo sporco. Non è necessario un dispositivo di lubrificazione a nebbia d'olio.

### 8.1 Installazione elettrica

Per garantire il corretto funzionamento e il livello di protezione richiesto per quanto riguarda la categoria dell'apparecchiatura, assicurarsi che vengano controllati i seguenti punti:

- L'installazione elettrica e il collegamento della valvola magnetica devono essere effettuati da un elettricista certificato. Un elettricista certificato deve inoltre prestare attenzione alle condizioni per le installazioni in zone classificate secondo ATEX.
- Verificare di aver adottato misure adeguate per evitare tutti i tipi di correnti vaganti da e verso il sistema di tubazioni e il cablaggio elettrico. Notare che l'alloggiamento NFES Ø 450-710 deve essere correttamente collegato a terra.
- I flessibili o le tubazioni collegate devono essere conduttivi e collegati a terra.
- Verificare che la tensione corretta sia collegata al solenoide della

valvola magnetica Controllare il contrassegno sul solenoide.

- Le opzioni elettriche come i microinterruttori devono essere collegate a un circuito a sicurezza intrinseca (per le opzioni installate in zone classificate ATEX).

## 8.2 Connessioni



### **AVVERTENZA! Rischio di lesioni.**

- La pressione massima raccomandata dell'aria è di 1 MPa (10 bar). È necessario installare un regolatore di pressione se è probabile che la pressione superi la pressione massima. La pressione di esercizio consigliata è 0,6-0,7 MPa (6-7 bar). La pressione minima per un funzionamento affidabile è 0,5 MPa (5 bar).
- I tubi dell'aria compressa devono essere approvati per la pressione effettiva e devono essere fissati saldamente ai nippli della valvola. Le fascette stringitubo devono essere montate correttamente.

- NFES Ø 450-710 non è dotato di un proprio dispositivo di controllo. È indicato per il controllo diretto con una valvola pilota remota a 3 vie (opzionale).
- NFES Ø 450-710 un dispositivo di controllo dell'elettrovalvola. La tensione del solenoide deve corrispondere alla tensione del segnale. La tensione standard è 24 V CA e 24 V CC. La potenza è 5 VA o 5 W.

## 8.3 Istruzioni per l'uso



### **AVVERTENZA! Rischio di lesioni.**

- Tenere le dita lontane dalle connessioni per vuoto quando la valvola è collegata all'aria compressa. La molla che chiude la valvola è sufficientemente forte da causare disagio.
- Assicurarsi che il sistema non trasporti materiale che potrebbe danneggiare la valvola NFES Ø 450-710.
- Se un oggetto imprevisto entra nel sistema, chiudere immediatamente l'alimentazione dell'aria compressa alla valvola e rimuovere l'oggetto.
- La valvola non deve essere messa in servizio fino a quando l'ingresso e l'uscita della valvola non sono collegati a tubi fissi o flessibili di almeno 1 metro di lunghezza.

## 8.4 Manutenzione

Per assistenza e supporto tecnico, contattare Nordfab Europe A/S



### **AVVERTENZA! Rischio di lesioni.**

- Gli interventi di manutenzione non possono essere avviati finché l'intero sistema non è stato arrestato correttamente e l'alimentazione non è stata interrotta in modo sicuro, ad esempio bloccando l'interruttore principale.
- L'ispezione della sezione della tramoggia del filtro aprendo gli sportelli di ispezione non può essere eseguita finché il sistema di pulizia del filtro non è stato attivato completamente e la sezione della tramoggia non è stata svuotata del materiale. A tal fine, controllare che la pulizia sia stata adeguata esaminando l'accumulo di polvere residua sui filtri a sacco.
- L'ispezione mediante apertura di sportelli di ispezione e simili può essere eseguita solo quando si utilizzano dispositivi di protezione individuale, adattati alle condizioni.
- Se per il lavoro viene utilizzata una scala mobile, prima di iniziare il lavoro deve essere fissata correttamente per garantire la stabilità.
- Per evitare la generazione di elettricità statica nel sistema di filtraggio, è necessario garantire che il filtro, la polvere collegata, ecc. siano opportunamente messi a terra.
- Fiamme libere, scintille o altre forme di generazione di calore come: Saldatura, molatura, perforazione/alesatura o affumicatura, ecc. non possono avvenire a meno di 3 metri da filtri ecc. che lavorano con un'atmosfera esplosiva, come aria carica di polvere.
- È necessario garantire che la pulizia venga eseguita su e intorno ai filtri, ecc. per evitare che incendi e rifiuti di polveri esplosive si infiammino causando gravi danni.

## 8.5 Manutenzione e riparazione

L'assistenza e le riparazioni possono essere eseguite solo da personale appositamente addestrato. Prima di iniziare qualsiasi intervento, disinserire l'alimentazione elettrica mediante l'interruttore principale e assicurarsi che non sia possibile un riavvio involontario, ad esempio bloccando l'interruttore principale. Prima di iniziare i lavori, disinserire anche l'energia accumulata, ad esempio nell'impianto ad aria compressa,



eventualmente scaricata.

Per i lavori di manutenzione e riparazione che richiedono aria carica di polvere, per esempio nella sezione della tramoggia del filtro, è necessario utilizzare i seguenti dispositivi di sicurezza:

1. Dispositivo di protezione delle vie respiratorie, possibilmente con alimentazione di aria fresca.
2. Occhiali, possibilmente una maschera a schermo collegata all'alimentazione dell'aria fresca.
3. Tuta ignifuga.
4. Guanti da lavoro ignifughi.
5. Calzature di sicurezza.
6. Casco protettivo.
7. Utensili antiscintilla, ove possibile.

L'ispezione dei filtri a sacco quando si trovano nella parte superiore del filtro dopo l'apertura degli sportelli antideflagranti può essere eseguita solo quando il sistema di filtraggio si è arrestato. A tale scopo, è necessario utilizzare anche i dispositivi di protezione individuale di cui sopra.

Se il filtro o simili vengono puliti con un aspirapolvere, è necessario predisporre una protezione contro la carica elettrostatica nel sistema di aspirazione.

L'alesaggio dei fori nell'alloggiamento del filtro o nelle tubazioni adiacenti può essere effettuato solo ad impianto fermo e pulito, prestando la massima attenzione e senza generare calore.

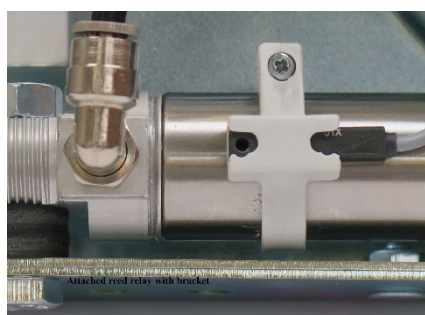
Se si verificano guasti nel sistema elettrico, arrestando il sistema e il riavvio viene disconnesso, il componente difettoso non può essere bypassato per consentire l'ulteriore funzionamento. Prima del riavvio è necessario eseguire una ricerca guasti e una riparazione adeguate.

Lo smaltimento dei componenti sostituiti, della polvere/dei rifiuti derivanti dalla pulizia, come altri rifiuti, deve essere effettuato secondo le linee guida per i materiali specifici. Queste linee guida sono state normalmente stabilite dalle autorità locali. In caso di dubbi, consultare la persona responsabile della sicurezza dell'azienda.

## 9 Accessori

### Relè reed in coppia e staffe

Numero di articolo	Nome articolo
8210002005	Relè interruttore reed CST-220 Smorzatore 10-110 V CC/10-230 V CA 0,25 A 8 W/10 VA Non Atex
8111404	Relè interruttore a lamelle CST-332 Ex Damper 10-110V DC/10-230V AC 0,25A 8W/10VA classe II 3G/D Zona 2/22 -10 - +80°C Atex



Visitare la nostra pagina web [www.nordfab.com](http://www.nordfab.com) per la scheda tecnica e le istruzioni di montaggio

### Bobina

Numero di articolo	Nome articolo
8210001600	Bobina 230 V CA G80-B-810
8210001601	Bobina 230 V CC Atex Zona 22
8210001602	Bobina 24 V CC EX II 3D
8210001604	Bobina 110 V CA 7,5 W



## 9.1 Pezzi di ricambio

**ATTENZIONE! Rischio di danni all'apparecchiatura.**

Utilizzare solo parti di ricambio e accessori originali Nordfab.

Contattare il distributore autorizzato più vicino o Nordfab per ricevere assistenza tecnica o per richiedere assistenza con i ricambi. Vedere anche [www.nederman.com](http://www.nederman.com).

**Ordinazione dei ricambi**

Quando si ordinano parti di ricambio, indicare sempre quanto segue:

- Codice articolo e numero di controllo (vedere la targhetta identificativa del prodotto).
- Numero di dettaglio e nome del pezzo di ricambio (vedere [www.nordfab.com](http://www.nordfab.com)).
- Quantità dei pezzi necessari.

## 9.2 Riciclaggio

Il prodotto è stato progettato per i materiali dei componenti da riciclare. I diversi tipi di materiali devono essere movimentati secondo le normative locali pertinenti. Contattare il distributore o Nordfab in caso di dubbi sulla rottamazione del prodotto al termine della sua vita utile.

## Schuifdemper / Straalklep **NFES Ø 450-710**

Versie: 02:2022



### Originele gebruikershandleiding

EN USER MANUAL

### Vertaling van de originele gebruikershandleiding

CS NÁVOD K OBSLUZE  
DA BETJENINGSVEJLEDNING  
DE BEDIENUNGSANLEITUNG  
ES MANUAL DE INSTRUCCIONES  
FI KÄYTTÖOHJEET  
FR MANUEL D'INSTRUCTION  
IT MANUALE D'ISTRUZIONE  
NL GEBRUIKERSHANDLEIDING  
NO BRUKSANVISNING  
PL INSTRUKCJA UŻYTKOWANIA  
PT MANUAL DE INSTRUÇÕES SV  
ANVÄNDARMANUAL





## Nederlands

### Gebruikershandleiding

## Inhoudsopgave

Declaration of conformity	4-6
Figures	7-8
1 Productmarkering .....	100
2 Voorwoord .....	100
3 Veiligheid .....	101
4 Technische gegevens .....	101
5 Omschrijving .....	101
5.1 Modellen .....	102
6 Omschrijving ATEX-producten .....	102
6.1 Hoofdcomponenten .....	102
7 Werking .....	103
8 Installatie .....	103
8.1 Elektrische installatie .....	103
8.2 Aansluitingen .....	104
8.3 Gebruiksaanwijzing .....	104
8.4 Onderhoud .....	105
8.5 Service en onderhoud van ATEX-apparatuur .....	105
9 Accessoires .....	107
9.1 Reserveonderdelen .....	108
9.2 Recycling .....	108

# 1 Productmarkering

De NFES Ø 450-710 (zie Omschrijving ATEX-producten) 24V AC/DC zijn niet ATEX-geclassificeerd en zijn alleen gemarkeerd met het CE-label.

De NFES Ø 450-710 115V AC 230V AC 24V DC zijn ATEX-geclassificeerd en gemarkeerd:

II 3D Ex h IIIC T85°C Dc  
 0°C≤Ta≤40°C  
 Nordfab 19.HB06

Onderdeel	Toelichting
II:	Apparatuurgroep (niet mijnbouw)
h:	De letter 'h' zoals gespecificeerd in EN ISO 80079-36.
IIIC:	<p>Apparatuur van Groep III is bedoeld voor gebruik op plaatsen met een explosieve stofatmosfeer anders dan mijnen die vatbaar zijn voor vuurdampen.</p> <p>Apparatuur van Groep III is onderverdeeld naar de aard van de explosieve stofatmosfeer waarvoor het is bedoeld.</p> <p>Onderverdelingen van Groep III:</p> <ul style="list-style-type: none"> <li>• IIIA: geschikt voor brandbare stoffen in de lucht;</li> <li>• IIIB: geschikt voor brandbare stoffen in de lucht en niet-geleidend stof;</li> <li>• IIIC: geschikt voor brandbare stoffen in de lucht, niet-geleidend stof en geleidend stof.</li> </ul>
T85°C	De maximale oppervlaktetemperatuur in graden Celsius.
Dc:	<p>beschermingsniveau van apparatuur Dc. Identiek met de vroegere 3D-markering.</p> <p>Voor explosieve atmosferen veroorzaakt door mengsels van lucht en brandbaar stof bevat de apparatuur geen effectieve ontstekingsbronnen bij normaal gebruik en verwachte storingen.</p>
0°C≤Ta≤40°C	Omgevingstemperatuurbereik

## Beschermingstype constructieveiligheid 'c'

Technische documentatie bevat de vereiste informatie voor handhaving van de productveiligheid.

# 2 Voorwoord

Lees deze handleiding zorgvuldig door voordat u dit product installeert en onderhoudt. Vervang de handleiding onmiddellijk bij verlies. Nordfab behoudt zich het recht voor om, zonder voorafgaande kennisgeving, haar producten, inclusief documentatie, aan te passen en te verbeteren.

Dit product is specifiek ontworpen om te voldoen aan de vereisten van de relevante EG-richtlijnen. Om deze status te behouden, mogen alle onderhouds- en reparatiewerkzaamheden aan de installatie uitsluitend worden uitgevoerd door gekwalificeerd personeel dat originele Nordfab-reserveonderdelen en -accessoires gebruikt. Neem contact op met de dichtstbijzijnde erkende distributeur of met Nordfab voor advies over technische service en het verkrijgen van reserveonderdelen. Als er sprake is van beschadigde of ontbrekende onderdelen bij levering van het product, neem dan onmiddellijk contact op met de vervoerder en de plaatselijke vertegenwoordiging van Nordfab.

### 3 Veiligheid

Dit document bevat belangrijke informatie die wordt weergegeven als waarschuwing of opmerking. Zie de volgende voorbeelden:



**WAARSCHUWING! Risico op persoonlijk letsel.**

Waarschuwingen wijzen op een mogelijk gevaar voor de gezondheid en veiligheid van personeel en hoe dat gevaar kan worden vermeden.



**OPGELET! Risico op schade aan apparatuur.**

Deze oproep wijst op een mogelijk gevaar voor het product, maar niet voor personeel, en hoe dat gevaar kan worden vermeden.



**OPMERKING!** Opmerkingen bevatten andere informatie die belangrijk is voor personeel.

### 4 Technische gegevens

Tabel 4-1: Afmetingen

Onderwerp	Specificatie
Maximumdruk	1 MPa (10 bar)
Minimumdruk (voor veilig gebruik)	0.5 MPa (5 bar)
Aanbevolen druk	0.6 - 0.7 MPa (6 - 7 bar)
Luchtkwaliteit	ISO 8573-1 klasse 5
Bedrijfstemperatuur	0 – 40 °C
Bedradingsdiameter	minimaal 0.75 mm <sup>2</sup>
Elektromagnetische spanningen	115 V AC (+10% -15%) 230 V AC (+10% -15%) 24 V DC (+ -10%) of 24 V AC/DC (niet ATEX)
Frequentie	50/60 Hz voor AC
Apparatuur type	II 3D Ex h IIIC T85°C Dc 0°C ≤ Ta ≤ 40°C

### 5 Omschrijving

De NFES energiebesparende demper wordt in de hout- en metaalbewerkingsindustrie gebruikt als afsluitdemper in uitlaatsystemen wanneer bepaalde machines, werkplaatsen of pijpleidingen niet in gebruik zijn.

De energiebesparende demper van het type NFES is een automatische straalpoort die wordt aangedreven door dubbelwerkende persluchtcilinders. Diameter Ø450-710.

De energiebesparende demper is gemaakt van gegalvaniseerd staalplaat en voorzien van een speciaal gebouwde pakking, die zorgt voor lage wrijving en optimale dichtheid. De demper wordt elektronisch geactiveerd.

## 5.1 Modellen

Zie afbeelding 1  
Aansluiting met gebogen rand QF/FB

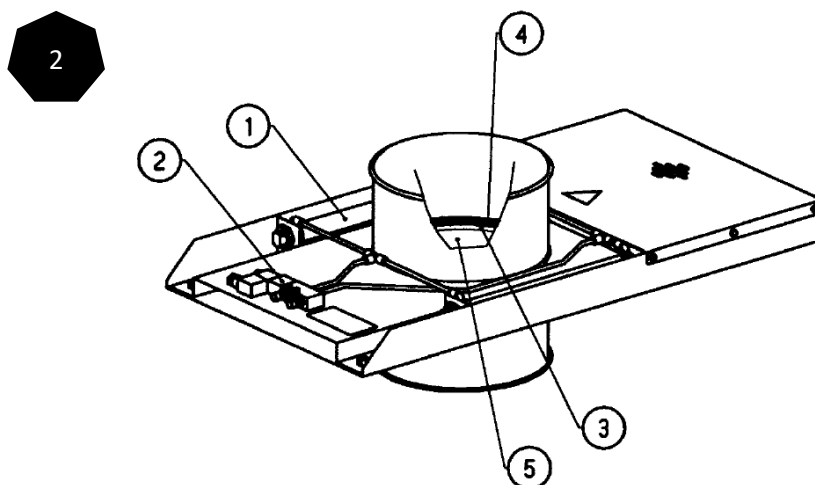
## 6 Omschrijving ATEX-producten

Als de demper correct is geïnstalleerd en aangesloten volgens de handleiding, heeft deze geen ontstekingsbron en kan daarom in alle interne ATEX-zones worden gemonteerd. Bij installatie binnen ATEX-zones moeten de elektrische componenten gemarkeerd zijn volgens de betreffende zone.

### 6.1 Hoofdcomponenten

Afbeelding 2 toont een NFES Ø 450-710

1. Persluchtcilinder
2. Magneetklep
3. Pakkingring
4. Rubberen sponsring
5. Demperplaat



## 7 Werking

NFES is een klep voor het automatisch openen en sluiten van een vacuümitlaat die verbonden is met een centraal vacuümsysteem of overdruk. Normaal gesproken worden de kleppen automatisch geopend en gesloten door een regelapparaat. Zie afbeelding 1 voor voorbeelden van het gebruik van NFES.

## 8 installatie

Monteer de klep 'in lijn' in de vacuümleiding of direct op de apparatuur die moet worden bediend. Voor leidingen moeten geleidende verbindingsmoffen worden gebruikt.



**OPGELET! Risico op schade aan apparatuur.**

De klep mag niet worden belast door het gewicht van aansluitleidingen of andere verbindingen die defecten aan de klep kunnen veroorzaken. Zorg ervoor dat de aansluitingen stevig tegen de muur, het plafond, de vloer of iets dergelijks zijn bevestigd. Slangaansluitingen mogen niet onder spanning staan.

De persluchtleidingen moeten voor het inbouwen van de klep worden doorgeblazen. Nieuwe persluchtleidingen bevatten altijd vuil dat de werking kan verstoren. Draag gehoorbescherming en een veiligheidsbril. Er moet een vocht- en vuilvanger worden geïnstalleerd bij perslucht van slechte kwaliteit. Een olienevelsmeerapparaat is niet nodig.

### 8.1 Elektrische installatie

Om een goede werking en het vereiste beschermingsniveau voor de apparatuurcategorie te garanderen, moeten de onderstaande punten worden gecontroleerd.

- De elektrische installatie en aansluiting van de magneetklep moeten worden uitgevoerd door een erkend elektricien. Een erkend elektricien moet ook aandacht besteden aan de omstandigheden voor installaties in zones die zijn geclassificeerd volgens ATEX.
- Controleer of de juiste maatregelen zijn genomen om alle soorten elektrische zwerfstromen naar en/of van het leidingsysteem en de elektrische bedrading te voorkomen. Denk eraan dat de NFES Ø 450-710 behuizing correct moet worden geaard.
- Aangesloten slangen of leidingen moeten geleidend en geaard zijn.
- Controleer of de juiste spanning is aangesloten op de spoel van de magneetklep. Controleer de markering op de spoel.
- Elektrische opties zoals microschakelaars moeten worden aangesloten op een intrinsiek veilig circuit (voor opties die zijn geïnstalleerd in

## 8.2 Aansluitingen



### **WAARSCHUWING! Risico op persoonlijk letsel.**

- De maximaal aanbevolen luchtdruk is 1 MPa (10 bar). Er moet een drukregelaar worden geïnstalleerd als het waarschijnlijk is dat de maximumdruk wordt overschreden. De aanbevolen bedrijfsdruk is 0,6-0,7 MPa (6-7 bar). De minimumdruk voor een betrouwbare werking is 0,5 MPa (5 bar).
- Persluchtsslangen moeten zijn goedgekeurd voor de werkelijke druk en stevig aan de nippels van de klep zijn bevestigd. Slangklemmen moeten correct gemonteerd worden.

- NFES Ø 450-710 is niet voorzien van een eigen regelapparaat. Het is bedoeld voor directe regeling via een externe 3-poorts stuurklep (optie).
- NFES Ø 450-710 een regelapparaat voor magneetkleppen. De elektromagnetische spanning moet overeenkomen met de signaalspanning. De standaardspanning is 24 42 230 V AC en 24 V DC. De stroom bedraagt 5 VA of 5 W.

## 8.3 Gebruiksaanwijzing



### **WAARSCHUWING! Risico op persoonlijk letsel.**

- Houd uw vingers uit de buurt van de vacuümaansluitingen wanneer de klep op perslucht is aangesloten. De veer die de klep sluit, is krachtig genoeg om onaangename situaties te veroorzaken.
- Zorg ervoor dat het systeem geen materiaal transporteert dat de NFES Ø 450-710 klep kan beschadigen.
- Als er onverwacht een voorwerp in het systeem terechtkomt, sluit dan onmiddellijk de persluchttoevoer naar de klep en verwijder het voorwerp.
- De klep mag niet in bedrijf worden gesteld voordat de in- en uitlaat van de klep zijn aangesloten op vaste leidingen of slangen van minstens 1 meter lengte.



## 8.4 Onderhoud

Neem voor service en technische ondersteuning contact op met Nordfab Europe A/S



### **WAARSCHUWING! Risico op persoonlijk letsel.**

- Met onderhoudswerkzaamheden mag pas worden begonnen nadat het totale systeem op de juiste wijze tot stilstand is gebracht en nadat de stroomtoevoer op een veilige manier is onderbroken, bijvoorbeeld door het
- Inspectie van het gedeelte met de filtertrechter door de inspectiedeuren te openen, mag pas worden uitgevoerd als het filterreinigingssysteem grondig is geactiveerd en het trechtergedeelte leeg is. In dit verband moet worden gecontroleerd of de reiniging voldoende was door de resterende stofafzetting op de filterzakken te onderzoeken.
- Inspectie door het openen van inspectiedeuren en dergelijke mag alleen worden uitgevoerd bij het gebruik van persoonlijke veiligheidsuitrusting, afgestemd op de omstandigheden.
- Als er een verplaatsbare ladder voor de werkzaamheden wordt gebruikt, moet deze stabiel en correct worden vastgezet voordat met de werkzaamheden wordt begonnen.
- Om het ontstaan van statische elektriciteit in het filtersysteem te voorkomen, moet ervoor worden gezorgd dat het filter en het aangesloten element e.d. naar behoren geaard zijn.
- Open vuur, vonken of een andere vorm van warmteontwikkeling zoals: lassen, slijpen, boren of roken, enz. mag niet binnen een afstand van 3 meter of minder bij filters enz. plaatsvinden bij het werken in een explosieve atmosfeer, zoals stoffige lucht.
- Er moet worden gezorgd voor reiniging op en rond filters enz. om te voorkomen dat brand en explosief stofafval ontbranden en ernstige schade veroorzaken.

## 8.5 Service en reparatie

Service en reparatie mogen alleen worden uitgevoerd door speciaal gekwalificeerd personeel. Voor aanvang van de werkzaamheden moet de stroomvoorziening met de hoofdschakelaar worden uitgeschakeld en moet ervoor worden gezorgd dat een onbedoelde herstart niet mogelijk is, bijvoorbeeld door de hoofdschakelaar te vergrendelen. Voor aanvang van de werkzaamheden moet ook de opgebouwde energie, bijv. in het persluchtsysteem, worden uitgeschakeld, evt. volledig ontladen.

Voor service- en reparatiewerkzaamheden waarbij in stoffige lucht moet worden gewerkt, bijvoorbeeld in het gedeelte met de filtertrechter, moet de volgende veiligheidsuitrusting worden gebruikt:

1. ademhalingsbescherming, eventueel met toevoer van verse lucht.
2. bril, mogelijk een schermmasker in verband met de toevoer van verse lucht.
3. brandvertragend pak.
4. brandwerende werkhandschoenen.
5. veiligheidsschoenen.
6. veiligheidshelm.
7. indien mogelijk gereedschap dat geen vonken veroorzaakt.

Inspectie van de filterzakken waarbij u aan de bovenkant van de filter staat nadat de explosieveiligheidsdeuren zijn geopend, mag alleen worden uitgevoerd wanneer het filtersysteem tot stilstand is gebracht. Hiervoor moet ook de hierboven genoemde persoonlijke veiligheidsuitrusting worden gebruikt.

Als het filter of iets dergelijks wordt gereinigd met een stofzuiger, moet er in de zuigopstelling bescherming worden geboden tegen statische elektrische lading.

Gaten in het filterhuis of aangrenzende leidingkanalen mogen alleen worden geboord wanneer het systeem tot stilstand is gebracht en gereinigd. Dit moet behoedzaam en zonder warmteontwikkeling gebeuren.

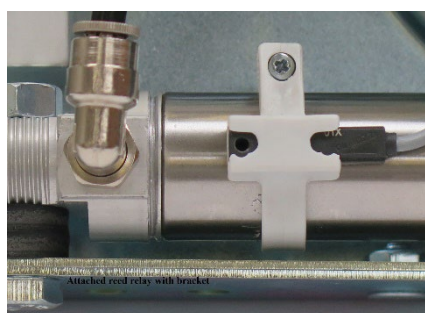
Als zich een of meer storingen voordoen in het elektrische systeem, waardoor het wordt gestopt en opnieuw wordt gestart, mag het defecte onderdeel niet worden omzeild om verdere werking mogelijk te maken. Voordat u de machine opnieuw start, moet u de juiste probleemoplossing en reparatieprocedure uitvoeren.

Voer vervangen onderdelen, stof/afval van reiniging en ander afval, af volgens de richtlijnen voor de betreffende materialen. Deze richtlijnen zijn gewoonlijk opgesteld door de lokale autoriteiten. Bij twijfel moet advies worden ingewonnen bij de verantwoordelijke voor de bedrijfsveiligheid.

## 9 Accessoires

### Tweetal Reed-relais en beugels

Artikelnummer	Artikelnaam
8210002005	Reed-schakelaarrelais CST-220 demper 10-110VDC/10-230VAC 0,25A 8W/10VA niet-Atex
8111404	Reed-schakelaarrelais CST-332 Ex-demper 10-110 V DC/10-230 V AC 0,25 A 8 W/10 VA klasse II 3G/D Zone 2/22 -10 - +80°C Atex



Op onze website [www.nordfab.com](http://www.nordfab.com) vindt u technische gegevens en montage-instructies

### Spoel

Artikelnummer	Artikelnaam
8210001600	Spoel 230 VAC G80-B-810
8210001601	Spoel 230VDC Atex Zone 22
8210001602	Spoel 24VDC EX II 3D
8210001604	Spoel 110 VAC 7,5 W

## 9.1 Reserveonderdelen

**OPGELET! Risico op schade aan apparatuur.**

Gebruik alleen originele reserveonderdelen en accessoires van Nordfab.

Neem contact op met uw dichtstbijzijnde erkende distributeur of Nordfab voor advies over technische service of als u hulp nodig hebt met reserveonderdelen. Zie ook [www.nederman.com](http://www.nederman.com).

**Bestellen van reserveonderdelen**

Vermeld bij het bestellen van reserveonderdelen altijd het volgende:

- onderdeelnummer en controlenummer (zie het identificatieplaatje van het product).
- detailnummer en naam van het reserveonderdeel (zie [www.nordfab.com](http://www.nordfab.com)).
- aantal benodigde onderdelen.

## 9.2 Recycling

Het product is zodanig ontworpen dat componenten gerecycled kunnen worden. De verschillende materiaaltypen moeten worden behandeld volgens de relevante lokale voorschriften. Neem contact op met de distributeur of Nordfab als u niet zeker weet hoe het product aan het einde van zijn gebruikscyclus moet worden afgevoerd.

## Skyvespjeld / Blåseport

# NFES Ø 450-710

Versjon: 02.2022



### Original bruksanvisning

EN USER MANUAL

### Oversettelse av den originale bruksanvisningen

CS NÁVOD K OBSLUZE  
DA BETJENINGSVEJLEDNING  
DE BEDIENUNGSANLEITUNG  
ES MANUAL DE INSTRUCCIONES  
FI KÄYTTÖOHJEET  
FR MANUEL D'INSTRUCTION  
IT MANUALE D'ISTRUZIONE  
NL HANDLEIDING  
NO BRUKSANVISNING  
PL INSTRUKCJA UŻYTKOWANIA  
PT MANUAL DE INSTRUÇÕES  
SV ANVÄNDARMANUAL





## Norsk Bruksanvisning

### Innhold

Samsvarserklæring	4–6
Figurer	7–8
1 Produktmerking .....	111
2 Forord.....	111
3 Sikkerhet .....	112
4 Tekniske data .....	112
5 Beskrivelse .....	112
5.1 Modeller .....	113
6 Beskrivelse av ATEX-produkter .....	113
6.1 Hovedkomponenter .....	113
7 Funksjon .....	114
8 Installasjon .....	114
8.1 Elektrisk installasjon .....	114
8.2 Tilkoblinger .....	115
8.3 Bruksanvisning.....	115
8.4 Vedlikehold .....	116
8.5 Service og vedlikehold av ATEX-utstyr.....	116
9 Tilbehør .....	118
9.1 Reservedeler .....	119
9.2 Resirkulering .....	119

# 1 Produktmerking

NFES Ø 450-710 (se Beskrivelse ATEX-produkter) 24V AC/DC er ikke ATEX-klassifisert og er bare merket med CE-merket.

NFES Ø 450-710 115V AC 230V AC 24V DC er ATEX-klassifiserte og merket:

II 3D Ex h IIIC T85°C Dc  
 0°C≤Ta≤40°C  
 Nordfab 19.HB06

Del	Forklaring:
II:	Utstyrsgruppe (ikke gruvedrift)
h:	Bokstaven "h" som spesifisert i NS-EN ISO 80079-36.
IIIC:	<p>Utstyr i Gruppe III er beregnet for bruk på steder med en eksplosiv støvatmosfære annet enn gruver, som er utsatt for brann damp.</p> <p>Utstyr i Gruppe III er inndelt i henhold til den eksplosive støvatmosfæren det er beregnet for.</p> <p>Gruppe III underinndelinger:</p> <ul style="list-style-type: none"> <li>• IIIA: egnet for brannfarlig lo;</li> <li>• IIIB: egnet for brannfarlig lo og ikke-ledende støv;</li> <li>• IIIC: egnet for brannfarlig lo, ikke-ledende støv og ledende støv.</li> </ul>
T85°C	Maksimal overflatetemperatur i grader Celsius.
Dc:	<p>Utstyrets beskyttelsesnivå Dc. Samme som tidligere 3D-merking.</p> <p>For eksplosive atmosfærer forårsaket av blandinger av luft og brennbart støv, inneholder ikke utstyret noen effektive tennkilder ved normal drift og forventede funksjonsfeil.</p>
0°C≤Ta≤40°C	Område for omgivelsestemperatur.

## Type beskyttelse konstruksjonssikkerhet "c"

Teknisk dokumentasjon inneholder nødvendig informasjon for å opprettholde produksikkerheten.

# 2 Forord

Les bruksanvisningen nøye før du bruker og utfører service på dette produktet. Erstatt bruksanvisningen umiddelbart hvis du mister den. Nordfab forbeholder seg retten til å endre og forbedre sine produkter inkludert dokumentasjon uten forhåndsvarsel.

Dette produktet er konstruert for å oppfylle kravene i relevante EU-direktiver. For å opprettholde denne statusen må all installasjon, alt vedlikehold og reparasjon utføres av kvalifisert personell som kun bruker originale reservedeler og tilbehør fra Nordfab. Kontakt nærmeste autoriserte distributør eller Nordfab for råd om teknisk service og kjøp av reservedeler. Hvis noen deler er skadet eller mangler ved levering av produktet, må fraktselskapet og din lokale Nordfab-representant varsles umiddelbart.

### 3 Sikkerhet

Dette dokumentet inneholder viktig informasjon som presenteres enten som en advarsel eller merknad. Se følgende eksempler:



**ADVARSEL! Fare for personskade.**

Advarsler indikerer en potensiell fare for de ansattes helse og sikkerhet, og hvordan denne faren kan unngås.



**FORSIKTIG! Fare for skade på utstyret.**

Forsiktighetsregler indikerer en potensiell fare for produktet, men ikke for personer, og hvordan denne faren kan unngås.



**NB!** Merknader inneholder annen informasjon som er viktig for de ansatte.

### 4 Tekniske data

Tabell 4-1: Dimensjoner

Egenskap	Dimensjon
Maks. trykk	1 MPa (10 bar)
Minimumstrykk (for sikker drift)	0.5 MPa (5 bar)
Anbefalt trykk	0.6–0.7 MPa (6–7 bar)
Luftkvalitet	ISO 8573-1 klasse 5
Driftstemperatur	0–40 °C
Ledningsmåler	min. 0.75 mm <sup>2</sup>
Magnetspenning	115 V AC (+10 %–15 %) 230 V AC (+10 %–15 %) 24 V DC (+ -10 %) eller 24 V AC/DC (ikke ATEX)
Frekvens	50/60 Hz for vekselstrøm
Utstyrstype	II 3D Ex h IIIC T85°C Dc 0°C ≤ Ta ≤ 40°C

### 5 Beskrivelse

NFES energisparende spjeld brukes i tre- og metallbearbeidende industri som lukkespjeld i avgassystemer når enkelte maskiner, arbeidsplasser eller rør ikke er i bruk.

Den energisparende spjeldtype NFES er en automatisk blåseport drevet av dobbeltvirkende trykkluftsylindere. Diameter Ø450-710.

Det energibesparende spjeldet er laget av galvanisert stålplate og utstyrt med en spesialbygd pakningsanordning som sikrer lav friksjon og optimal tetthet. Spjeldet er elektronisk aktivert.



## 5.1 Modeller

Se figur 1  
Stuss med rullekant QF/FB

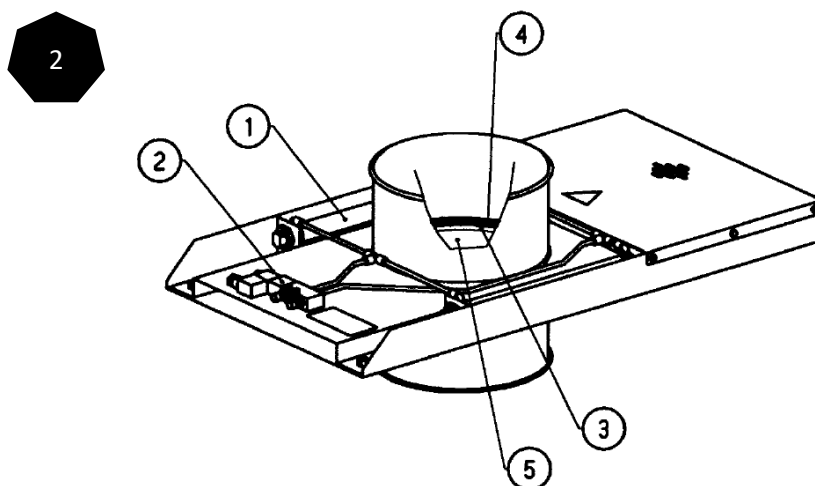
## 6 Beskrivelse av ATEX-produkter

Hvis spjeldet er installert og koblet riktig i henhold til bruksanvisningen, har ikke spjeldet noen tennkilde og kan derfor monteres i alle innvendige ATEX-soner. Hvis det skal installeres innenfor ATEX-soner, må de elektriske komponentene merkes i henhold til relevant sone.

### 6.1 Hovedkomponenter

Figur 2 viser en NFES Ø 450-710

1. Trykkluftsylander
2. Magnetisk ventil
3. Pakningsring
4. Gummiring med svamp
5. Spjeldplate



## 7 Funksjon

NFES er en ventil for automatisk åpning og lukking av et vakuummottak koblet til et sentralt vakuumsystem eller overtrykk. Ventilene er vanligvis automatiske og de åpnes og lukkes av en styreenhet. Se figur 1 for eksempler på hvordan NFES kan brukes.

## 8 Installasjon

Monter ventilen "in line" i vakuurrøret eller direkte på utstyret den skal brukes på. Det skal brukes ledende skjøtehylser for røropplegg.



### **FORSIKTIG! Fare for skade på utstyret.**

Ventilen må ikke bære belastningen på tilkoblingsrør eller andre koblinger som kan forårsake feil på ventilen. Kontroller at koblingene er godt installert mot veggen, taket, gulvet eller lignende. Slangekoblingene må være strekkavlastet.

Trykklufttrørene må blåses rene før ventilen monteres. Nye trykklufttrør inneholder alltid smuss som kan føre til driftsforstyrrelser. Bruk hørselsvern og vernebriller. Hvis trykkluften er av dårlig kvalitet, må det monteres en fukt- og smussutskiller. Oljetåkesmører er ikke nødvendig.

### 8.1 Elektrisk installasjon

For å sikre riktig funksjon og nødvendig grad av beskyttelse med hensyn til utstyrskategori, må følgende punkter kontrolleres:

- Elektrisk installasjon og tilkobling av magnetisk ventil må utføres av en autorisert elektriker. En autorisert elektriker må også være oppmerksom på forholdene for installasjoner i soner klassifisert i henhold til ATEX.
- Kontroller at det er iverksatt nødvendige tiltak for å unngå alle typer elektrisk lekkasjestrøm til og/eller fra rørsystemet og det elektriske ledningsnettet. Merk at huset til NFES Ø 450-710 må være riktig jordet.
- Tilkoblede slanger eller rør må være ledende og jordet.
- Kontroller at riktig spenning er koblet til solenoiden på den magnetiske ventilen. Kontroller merkingen på magneten.
- Elektriske tillegg som mikrobrytere må kobles til en sikker krets (for alternativer installert i ATEX-klassifiserte soner).

## 8.2 Tilkoblinger



### **ADVARSEL! Fare for personskade.**

- Maksimalt anbefalt lufttrykk er 1 MPa (10 bar). En trykkregulator må installeres hvis trykket sannsynligvis overstiger maksimumstrykket. Anbefalt arbeidstrykk er 0,6–0,7 MPa (6–7 bar). Min. trykk for en pålitelig funksjon er 0,5 MPa (5 bar).
  - Trykkluftslanger må være godkjent for det faktiske trykket og må være godt festet til ventilniplene. Slangeklemmene må være riktig montert.
  - Ventilen er konstruert for vakuüm, dvs. at den bare må installeres i systemer som arbeider med undertrykk sammenlignet med atmosfære.
- 
- NFES Ø 450-710 er ikke utstyrt med egen styreenhet. Den er ment for direkte styring med en ytre pilotventil med 3 porter (tilleggsutstyr).
  - NFES Ø 450-710 er en styreenhet for magnetventil. Magnetspenningen må stemme overens med signalspenningen. Standardspenning er 24 42 230 V AC og 24 V DC. Effekten er 5 VA eller 5 W.

## 8.3 Bruksanvisning



### **ADVARSEL! Fare for personskade.**

- Hold fingrene unna vakuümkoblingene når ventilen er koblet til trykkluft. Fjæren som lukker ventilen er sterk nok til å forårsake ubehag.
- Kontroller at systemet ikke transporterer materiale som kan skade NFES Ø 450-710-ventilen.
- Hvis det kommer en uventet gjenstand inn i systemet, må trykkluftforsyningen til ventilen umiddelbart stenges og gjenstanden fjernes.
- Ventilen må ikke settes i drift før ventilinntaket og -uttaket er koblet til faste rør eller slanger som er minst 1 meter lange.

## 8.4 Vedlikehold

For service og teknisk støtte, kontakt Nordfab Europe A/S



### **ADVARSEL! Fare for personskade.**

- Vedlikeholdsarbeid må ikke påbegynnes før hele systemet er stoppet på riktig måte og før strømforsyningen er koblet fra på en sikker måte, for eksempel ved å låse hovedbryteren.
- Inspeksjon av filterbeholderdelen ved å åpne inspeksjonsdørene kan ikke utføres før filterrengjøringsystemet er riktig aktivert og beholderdelen er tømt for materiale. I slike tilfeller må det kontrolleres om rengjøringen har vært tilstrekkelig ved å undersøke avsetningen av reststøv i filterposene.
- Inspeksjon ved åpning av inspeksjonsdører og lignende skal kun utføres når det brukes personlig verneutstyr som er tilpasset forholdene.
- Hvis en flyttbar stige brukes til arbeidet, må den sikres godt før arbeidet startes.
- For å hindre at det dannes statisk elektrisitet i filtersystemet, må det sikres at filteret og det tilkoblede støvet osv. er korrekt jordet.
- Åpen ild, gnister eller andre former for varmegenerering, for eksempel: Arbeid som medfører sveising, sliping, boring eller røyking osv. må ikke plasseres nærmere enn 3 meter til filtre i en eksplosiv atmosfære, f.eks. støvfylt luft.
- Det må sikres at rengjøringen utføres på og rundt filtre osv. for å hindre at brann og eksplosivt støv antennes og forårsaker store skader.

## 8.5 Service og reparasjon

Service og reparasjon skal kun utføres av spesielt opplært personale. Før arbeidet påbegynnes, må strømtilførselen slås av med hovedbryteren, og det må sikres at utilsiktet omstart ikke kan forekomme, for eksempel ved å låse hovedbryteren. Akkumulert energi, for eksempel i trykkluftsystemet, må også slås av før arbeidet påbegynnes.

Ved service- og reparasjonsarbeid som gjør det nødvendig å oppholde seg i støvfylt luft, f.eks. i filterbeholderdelen, må følgende sikkerhetsutstyr brukes:

1. Åndedrettsvern, eventuelt med frisklufttilførsel.
2. Vernebriller, eventuelt maske i forbindelse med tilførsel av frisk luft.
3. Brannhemmende drakt.
4. Brannhemmende arbeidshansker.
5. Vernesko.
6. Hjelm.
7. Gnistfritt verktøy der det er mulig.

Inspeksjon av filterposene når man oppholder seg ved toppen av filteret etter at eksplosjonsavlastingslukene er åpnet, kan bare utføres når filtersystemet har stoppet. Til dette formålet må også det ovennevnte personlige verneutstyret brukes.

Hvis filteret eller lignende rengjøres med en støvsuger, må det etableres beskyttelse mot statisk elektrisk lading i sugeanordningen.

Utboring av hull i filterhus eller tilstøtende rørkanaler skal kun foretas når systemet er stoppet og rengjort. Det må utvises stor forsiktighet og varmegenerering må unngås.

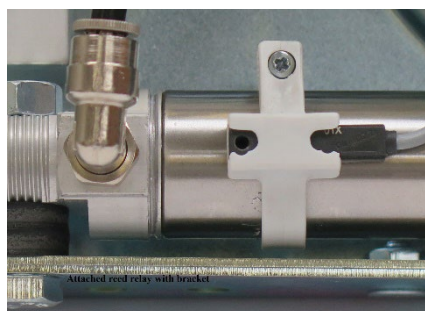
Hvis det oppstår feil i det elektriske systemet som medfører at systemet stopper samtidig som omstart er frakoblet, er det ikke mulig å omgå den defekte komponenten for fortsatt bruk. Riktig feilsøking og reparasjon må utføres før omstart.

Avhending av utskiftede komponenter, støv/avfall fra rengjøring og annet avfall må utføres i henhold til retningslinjene for de bestemte materialene. Disse retningslinjene er normalt fastsatt av lokale myndigheter. Kontakt sikkerhetsansvarlig i bedriften hvis du er usikker.

## 9 Tilbehør

### Reed-releer i par og braketter

Varenummer	Produktnavn
8210002005	Reed bryterrelé CST-220 Spjeld 10-110VDC/10-230VAC 0,25A 8W/10VA Non Atex
8111404	Reed bryterrelé CST-332 Ex spjeld 10-110V DC/10-230V AC 0,25A 8W/10VA klasse II 3G/D sone 2/22 -10-+80°C Atex



Gå til nettstedet vårt [www.nordfab.com](http://www.nordfab.com) for teknisk datablad og monteringsanvisninger

### Spole

Varenummer	Produktnavn
8210001600	Spole 230VAC G80-B-810
8210001601	Spole 230 VDC Atex-sone 22
8210001602	Spole 24 VDC EX II 3D
8210001604	Spole 110 VAC 7,5 W

## 9.1 Reservedeler

**FORSIKTIG! Fare for skade på utstyret.**

Bruk bare originale reservedeler og tilbehør fra Nordfab.

Kontakt nærmeste autoriserte distributør eller Nordfab for å få råd om teknisk service eller hvis du trenger hjelp med reservedeler. Se også [www.nederman.com](http://www.nederman.com).

**Bestilling av reservedeler**

Oppgi alltid følgende ved bestilling av reservedeler:

- Delenummer og kontrollnummer (se produktets identifikasjonsplate).
- Detaljnummer og navn på reservedelen (se [www.nordfab.com](http://www.nordfab.com)).
- Antall av delene som bestilles.

## 9.2 Resirkulering

Produktet er designet for at materialene i de ulike komponentene skal kunne resirkuleres. De ulike materialtypene må håndteres i henhold til relevante lokale forskrifter. Kontakt distributøren eller Nordfab hvis det oppstår usikkerhet ved kassering av produktet etter endt levetid.

Przepustnica przesuwna / zasuwą

# NFES Ø 450–710

Wersja: 02:2022



## Oryginalna instrukcja użytkowania

EN USER MANUAL

## Tłumaczenie oryginalnej instrukcji użytkowania

CS NÁVOD K OBSLUZE  
DA BETJENINGSVEJLEDNING  
DE BEDIENUNGSANLEITUNG  
ES MANUAL DE INSTRUCCIONES  
FI KÄYTTÖOHJEET  
FR MANUEL D'INSTRUCTION  
IT MANUALE D'ISTRUZIONE  
NL HANDLEIDING  
NO BRUKSANVISNING  
PL INSTRUKCJA UŻYTKOWANIA  
PT MANUAL DE INSTRUÇÕES SV  
ANVÄNDARMANUAL







## **Polski** Instrukcja użytkowania

### **Spis treści**

Deklaracja zgodności	4-6
Rysunki	7-8
1 Oznakowanie produktu.....	122
2 Wstęp .....	122
3 Bezpieczeństwo.....	123
4 Dane techniczne.....	123
5 Opis .....	123
5.1 Modele .....	124
6 Opis — produkty ATEX .....	124
6.1 Główne podzespoły .....	124
7 Funkcja .....	125
8 Montaż .....	125
8.1 Instalacja elektryczna .....	125
8.2 Przyłącza .....	126
8.3 Wskazówki dotyczące użycia .....	126
8.4 Konserwacja.....	127
8.5 Serwis i konserwacja urządzeń ATEX .....	127
9 Akcesoria .....	130
9.1 Części zamienne .....	131
9.2 Recycling .....	131

# 1 Oznakowanie produktu

Przepustnice NFES Ø 450–710 (patrz „Opis – produkty ATEX”) 24 V AC/DC nie są sklasyfikowane jako produkty ATEX i są oznaczone wyłącznie znakiem CE.

Produkty NFES Ø 450–710 115V AC 230V AC 24V DC są sklasyfikowane i oznaczone jako produkty ATEX:

II 3D Ex h IIIC T85°C Dc  
 0°C≤Ta≤40°C  
 Nordfab 19.HB06

Część	Objaśnienie
II:	Grupa sprzętu (nie górniczego)
h:	Litera „h” zgodnie z normą EN ISO 80079-36.
IIIC:	Urządzenia z grupy III są przeznaczone do użytku w miejscach, w których występuje wybuchowa atmosfera pyłowa, innych niż kopalnie narażone na działanie gazu kopalnianego.  Urządzenia z grupy III są podzielone według właściwości wybuchowej atmosfery pyłowej, do pracy w której są one przeznaczone.  Podgrupy grupy III: <ul style="list-style-type: none"> <li>• IIIA: przeznaczone do pyłów palnych;</li> <li>• IIIB: przeznaczone do pyłów palnych i nieprzewodzących;</li> <li>• IIIC: przeznaczone do pyłów palnych, nieprzewodzących i przewodzących.</li> </ul>
T85°C	Maksymalna temperatura powierzchni w stopniach Celsjusza.
Dc:	Poziom ochrony urządzeń Dc. Takie samo oznaczenie jak stare oznaczenie 3D.  W przypadku atmosfer wybuchowych powodowanych przez mieszaniny powietrza i palnych pyłów urządzenie nie posiada żadnych efektywnych źródeł zapłonu w normalnych warunkach pracy i w warunkach przewidywanych awarii.
0°C≤Ta≤40°C	Zakres temperatury otoczenia.

## Rodzaj zabezpieczenia konstrukcyjnego „c”

Dokumentacja techniczna zawiera informacje wymagane w celu zapewnienia bezpieczeństwa produktu.

# 2 Wstęp

Przed montażem, użyciem i serwisowaniem produktu należy dokładnie przeczytać niniejszą instrukcję. W przypadku zagubienia instrukcji należy ją niezwłocznie pozyskać. Firma Nordfab zastrzega sobie prawo do modyfikowania i ulepszania swoich produktów, w tym dokumentacji, bez uprzedzenia.

Niniejszy produkt został zaprojektowany tak, aby spełniał wymagania odpowiednich dyrektyw unijnych. Aby zapewnić powyższe wszystkie prace montażowe, konserwacyjne i naprawcze muszą być wykonywane przez wykwalifikowany personel z użyciem wyłącznie oryginalnych części zamiennych i akcesoriów firmy Nordfab. Należy skontaktować się z najbliższym autoryzowanym dystrybutorem lub firmą Nordfab w celu uzyskania informacji na temat serwisu technicznego i zakupu części zamiennych. Jeśli po dostawie produktu okaże się, że jakieś części są uszkodzone lub ich brakuje, należy natychmiast powiadomić o tym przewoźnika i lokalnego przedstawiciela firmy Nordfab.

### 3 Bezpieczeństwo

Niniejszy dokument zawiera ważne informacje, które są prezentowane jako ostrzeżenia lub uwagi. Patrz poniższe przykłady:



**OSTRZEŻENIE! Ryzyko obrażeń ciała.**

Ostrzeżenia wskazują na potencjalne zagrożenia dla zdrowia i bezpieczeństwa personelu oraz jak można ich uniknąć.



**OSTROŻNIE! Ryzyko uszkodzenia sprzętu.**

Takie ostrzeżenie wskazuje na potencjalne zagrożenia dla produktu, ale nie dla zdrowia i bezpieczeństwa personelu, oraz jak można ich uniknąć.



**UWAGA!** Uwagi zawierają inne informacje istotne dla personelu.

### 4 Dane techniczne

Tabela 4-1: Wartości i zakresy

Pozycja	Wartość/zakres
Maksymalne ciśnienie	1 MPa (10 barów)
Minimalne ciśnienie (dla bezpiecznej pracy)	0,5 MPa (5 barów)
Zalecane ciśnienie	0,6–0.7 MPa (6–7 barów)
Jakość powietrza	ISO 8573-1 klasa 5
Temperatura robocza	0–40°C
Przekrój przewodu drutowego	minimum 0,75 mm <sup>2</sup>
Napięcie solenoidu	115 V AC (+10% -15%) 230 V AC (+10% -15%) 24 V DC (+ -10%) lub 24 V AC/DC (nie ATEX)
Częstotliwość	50/60 Hz dla AC
Typ urządzenia	II 3D Ex h III C T85°C Dc 0°C ≤ Ta ≤ 40°C

### 5 Opis

Energooszczędna przepustnica NFES jest stosowana w przemyśle drzewnym i metalowym jako przepustnica zamykająca w systemach wyciągowych, gdy niektóre maszyny, stanowiska pracy lub rurociągi nie są używane.

Energooszczędna przepustnica typu NFES to automatyczna przepustnica przesuwana napędzana przez siłowniki pneumatyczne obustronnego działania. Średnica Ø 450–710.

Ta energooszczędna przepustnica jest wykonana z ocynkowanej blachy stalowej i wyposażona w specjalną uszczelkę, która zapewnia małe tarcie i optymalną szczelność. Przepustnica jest włączana elektronicznie.

## 5.1 Modele

Patrz rys. 1

Króciec z wywiniętym czołem QF/FB

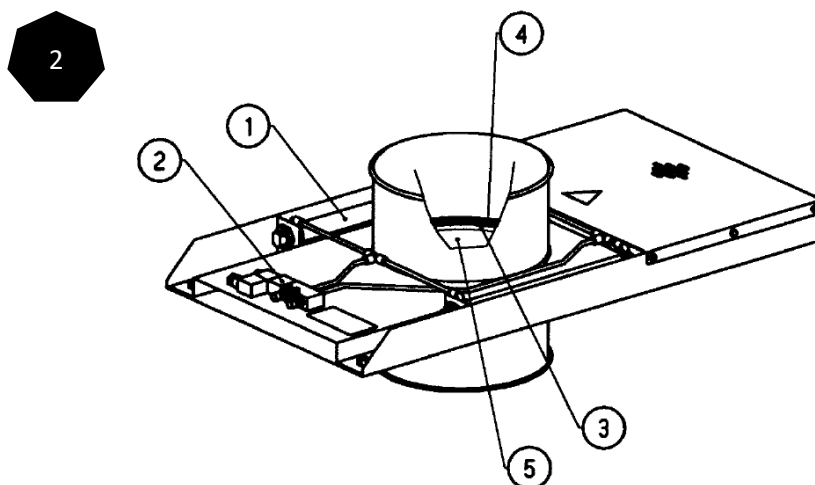
## 6 Opis – produkty ATEX

Jeśli przepustnica jest prawidłowo zamontowana i podłączona zgodnie z instrukcją, nie ma ona źródła zapłonu i dlatego może być montowana we wszystkich wewnętrznych strefach ATEX. W przypadku montażu w strefach ATEX podzespoły elektryczne muszą być oznakowane zgodnie z właściwą strefą.

### 6.1 Główne podzespoły

Rysunek 2 przedstawia przepustnicę NFES Ø 450–710

1. Siłownik pneumatyczny
2. Zawór magnetyczny
3. Pierścień uszczelniający
4. Pierścień z gumy gąbczastej
5. Płytkę przepustnicy



## 7 Funkcja

NFES to zawór do automatycznego otwierania i zamykania wylotu podciśnienia podłączonego do centralnego systemu próżniowego lub nadciśnienia. Zazwyczaj zawory otwierają się i zamykają się automatycznie, sterowane przez sterownik. Na rysunku 1 przedstawiono przykładowe zastosowania przepustnicy NFES.

## 8 Montaż

Umieścić zawór „w linii” w rurze próżniowej lub bezpośrednio na urządzeniu, które ma być obsługiwane. Należy zastosować tulejki łączące do rur.



### **OSTROŻNIE! Ryzyko uszkodzenia sprzętu.**

Zawór nie może być obciążony przez rury przyłączeniowe ani inne przyłącza, które mogą spowodować uszkodzenia zaworu. Należy sprawdzić, czy przyłącza są właściwie przymocowane do ściany, sufitu, podłogi itp. Przewody giętkie nie mogą być zbyt napięte.

Przewody sprężonego powietrza należy przedmuchać przed zamontowaniem zaworu. Nowe przewody sprężonego powietrza zawsze zawierają zanieczyszczenia, które mogą powodować zakłócenia pracy. Należy nosić ochronniki słuchu i okulary ochronne. W przypadku niskiej jakości sprężonego powietrza należy zamontować oddzielacze wilgoci i zanieczyszczeń. Urządzenie do smarowania mgłą olejową nie jest wymagane.

### 8.1 Instalacja elektryczna

Aby zapewnić prawidłowe działanie i wymagany poziom ochrony w odniesieniu do kategorii urządzeń, należy przeprowadzić poniższe czynności:

- Instalacja elektryczna i podłączenie zaworu magnetycznego muszą być wykonane przez elektryka z uprawnieniami. Elektryk z uprawnieniami musi również przestrzegać warunków dla instalacji w strefach sklasyfikowanych zgodnie z ATEX.
- Należy sprawdzić, czy podjęto odpowiednie środki w celu zapobieżenia wszelkim prądom błądzącym do i/lub z orurowania i okablowania elektrycznego. Obudowa przepustnicy NFES Ø 450–710 musi być odpowiednio uziemiona.
- Podłączone przewody giętkie lub rury muszą być przewodzące i uziemione.
- Należy sprawdzić, czy do solenoidu zaworu magnetycznego podłączono właściwe napięcie. Należy sprawdzić oznakowanie na solenoidzie.
- Opcje elektryczne, takie jak mikroprzełączniki, muszą być podłączone

do wewnętrznego obwodu iskrobezpiecznego (w przypadku opcji instalowanych w strefach sklasyfikowanych w ramach ATEX).

## 8.2 Przyłącza



### **OSTRZEŻENIE! Ryzyko obrażeń ciała.**

- Maksymalne zalecane ciśnienie powietrza wynosi 1 MPa (10 barów). Jeżeli istnieje prawdopodobieństwo, że ciśnienie przekroczy wartość maksymalną, należy zainstalować regulator ciśnienia. Zalecane ciśnienie robocze wynosi 0,6–0,7 MPa (6–7 barów). Minimalne ciśnienie dla właściwej pracy wynosi 0,5 MPa (5 barów).
- Przewody elastyczne sprężonego powietrza muszą być zatwierdzone dla rzeczywistego ciśnienia i właściwie zamocowane do złączek zaworu. Zaciski przewodów elastycznych muszą być prawidłowo zamocowane.

- Przepustnica NFES Ø 450–710 nie jest wyposażona we własny sterownik. Może być ona sterowana bezpośrednio za pomocą zdalnego trójdrożnego zaworu sterującego (opcja).
- NFES Ø 450–710 — urządzenie sterujące z zaworem elektromagnetycznym. Napięcie solenoidu musi odpowiadać napięciu sygnału. Standardowe napięcie to 24 42 230 V AC i 24 V DC. Moc wynosi 5 VA lub 5 W.

## 8.3 Wskazówki dotyczące użycia



### **OSTRZEŻENIE! Ryzyko obrażeń ciała.**

- Trzymać palce z dala od przewodów próżniowych, gdy zawór jest podłączony do sprężonego powietrza. Sprężyna zamykająca zawór jest na tyle mocna, że może spowodować dyskomfort.
- Należy sprawdzić, czy w układzie nie jest transportowany materiał, który mógłby uszkodzić zawór przepustnicy NFES Ø 450–710.
- Jeśli do układu dostanie się niepożądany przedmiot, należy natychmiast odciąć dopływ sprężonego powietrza do zaworu i usunąć ten przedmiot.
- Nie wolno uruchamiać zaworu, dopóki wlot i wylot zaworu nie zostaną podłączone do zamocowanych na stałe rur lub przewodów giętkich o długości co najmniej 1 metra.

## 8.4 Konserwacja

W sprawie serwisu i pomocy technicznej prosimy o kontakt z firmą Nordfab Europe A/S



### **OSTRZEŻENIE! Ryzyko obrażeń ciała.**

- Prace konserwacyjne można rozpocząć dopiero po prawidłowym wyłączeniu całego układu i po bezpiecznym wyłączeniu zasilania, np. przez zablokowanie wyłącznika głównego.

- Kontroli sekcji leja samowyladowczego filtra przez otwarcie drzwiczek kontrolnych nie wolno przeprowadzić, dopóki system czyszczenia filtra nie zostanie do końca włączony, a sekcja leja nie zostanie opróżniona z materiału. W tym przyłączu należy skontrolować, czy czyszczenie było wystarczające, sprawdzając pozostałości osadów pyłu na workach filtracyjnych.
- Kontrola poprzez otwarcie drzwiczek kontrolnych lub w podobny sposób może zostać przeprowadzana wyłącznie pod warunkiem stosowania środków ochrony indywidualnej dostosowanych do panujących warunków.
- Jeśli do pracy używana jest ruchoma drabina, należy ją odpowiednio zabezpieczyć przed rozpoczęciem pracy.
- Aby zapobiec gromadzeniu się ładunków elektrostatycznych w systemie filtrów, należy upewnić się, czy filtr i podłączony do niego kolektor pyłu itp. są odpowiednio uziemione.
- Otwarty ogień, iskry lub inne formy wytwarzania ciepła, takie jak spawanie, szlifowanie, wiercenie, palenie tytoniu itd. nie mogą znajdować się bliżej niż 3 metry od filtrów itp. pracujących w atmosferze wybuchowej, np. w zapyłonym powietrzu.
- Należy przeprowadzić czyszczenie na filtrach, wokół nich itp., aby zapobiegać pożarowi i zapłonowi wybuchowych odpadów pyłowych, a także związanym z tym poważnym obrażeniom/uszkodzeniom.

## 8.5 Serwis i naprawy

Serwis i naprawy mogą być wykonywane wyłącznie przez specjalnie przeszkolony personel. Przed rozpoczęciem jakichkolwiek prac należy wyłączyć zasilanie elektryczne wyłącznikiem głównym i zabezpieczyć je przed przypadkowym włączeniem, np. poprzez zablokowanie wyłącznika głównego. Przed rozpoczęciem prac należy również odłączyć nagromadzoną energię, np. w układzie sprężonego powietrza, a jeśli to

możliwe całkowicie ją rozładować.



Podczas prac serwisowych i naprawczych w zapyłonym powietrzu, np. w sekcji leja samowyladowczego filtra, należy stosować następujące wyposażenie bezpieczeństwa:

1. Sprzęt chroniący drogi oddechowe, o ile to możliwe z dopływem świeżego powietrza.
2. Okulary, o ile to możliwe maska ochronna z dopływem świeżego powietrza.
3. Kombinezon ognioodporny.
4. Rękawice robocze ognioodporne.
5. Obuwie ochronne.
6. Kask ochronny.
7. Nieiskrzące narzędzia tam, gdzie jest to możliwe.

Kontrolę worków filtracyjnych, będąc na górze filtra po otwarciu drzwiczek bezpieczeństwa przeciwwybuchowego, można przeprowadzić tylko po wyłączeniu systemu filtra. W tym celu należy również stosować środki ochrony indywidualnej, o których mowa wyżej.

Jeżeli filtr lub podobny element jest czyszczony odkurzaczem, należy zapewnić ochronę przed ładunkami elektrostatycznymi w układzie ssącym.

Otwory w obudowie filtra lub w przyległych kanałach rurowych mogą być wiercone dopiero po wyłączeniu i wyczyszczeniu systemu, z zachowaniem dużej ostrożności i bez wytwarzania ciepła.

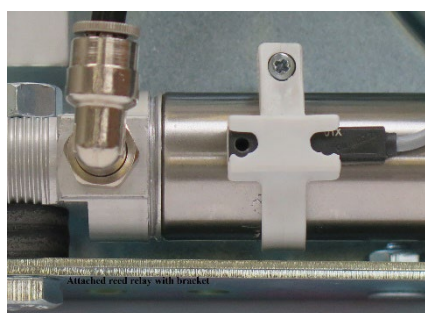
Jeśli w instalacji elektrycznej wystąpią usterki powodujące wyłączenie systemu, a ponowne uruchomienie jest odłączone, nie można obejść uszkodzonego podzespołu, aby umożliwić dalszą pracę. Przed ponownym uruchomieniem należy przeprowadzić odpowiednie procedury dotyczące rozwiązywania problemów i naprawy.

Utylizacja wymienionych podzespołów, pyłu/odpadów z czyszczenia oraz innych odpadów musi zostać przeprowadzona zgodnie z wytycznymi dotyczącymi konkretnych materiałów. Wytyczne te są zwykle ustalane przez władze lokalne. W razie wątpliwości należy skonsultować się z osobą odpowiedzialną za bezpieczeństwo w zakładzie.

## 9 Akcesoria

### Kontaktrony w parze i uchwyty

Numer artykułu	Nazwa artykułu
8210002005	Reed switch relay CST-220 Damper 10-110VDC/10-230VAC 0,25A 8W/10VA Non Atex
8111404	Reed switch relay CST-332 Ex Damper 10-110V DC/10-230V AC 0,25A 8W/10VA class II 3G/D Zone 2/22 -10 - +80°C Atex



Arkusz danych technicznych i instrukcje montażu znajdują się na naszej stronie internetowej [www.nordfab.com](http://www.nordfab.com).

### Cewka

Numer artykułu	Nazwa artykułu
8210001600	Coil 230VAC G80-B-810
8210001601	Coil 230VDC Atex Zone 22
8210001602	Coil 24VDC EX II 3D
8210001604	Coil 110VAC 7.5W

## 9.1 Części zamienne

**OSTROŻNIE! Ryzyko uszkodzenia sprzętu.**

Należy używać wyłącznie oryginalnych części zamiennych i akcesoriów firmy

Należy skontaktować się z najbliższym autoryzowanym dystrybutorem lub firmą Nordfab w celu uzyskania informacji na temat serwisu technicznego lub pomocy dotyczącej części zamiennych. Patrz też [www.nederman.com](http://www.nederman.com).

**Zamawianie części zamiennych**

Podczas zamawiania części zamiennych należy zawsze podać:

- Numer części i numer kontrolny (patrz tabliczka znamionowa produktu).
- Szczegółowy numer i nazwę części zamiennej (patrz [www.ned.com](http://www.ned.com)).
- Liczbę zamawianych części.

## 9.2 Recycling

Produkt obejmuje materiały składowe przeznaczone do recyklingu. Z różnymi typami materiałów należy postępować zgodnie z odpowiednimi przepisami lokalnymi. W razie wątpliwości dotyczących złomowania produktu po zakończeniu jego eksploatacji należy skontaktować się z dystrybutorem lub firmą Nordfab.

Placa de regulação deslizante/Válvula de escape  
**NFES Ø 450-710**

Versão: 02:2022



**Manual do utilizador original**

PT MANUAL DO UTILIZADOR

**Tradução do manual do utilizador original**

CS NÁVOD K OBSLUZE  
DA BETJENINGSVEJLEDNING  
DE BEDIENUNGSANLEITUNG  
ES MANUAL DE INSTRUCCIONES  
FI KÄYTTÖOHJEET  
FR MANUEL D'INSTRUCTION  
IT MANUALE D'ISTRUZIONE  
NL HANDLEIDING  
NO BRUKSANVISNING  
PL INSTRUKCJA UŻYTKOWANIA  
PT MANUAL DE INSTRUÇÕES SV  
ANVÄNDARMANUAL





## Português

### Manual do utilizador

## Índice

Declaração de conformidade	4-6
Figuras	7-8
1 Marcação de produtos.....	134
2 Prefácio .....	134
3 Segurança.....	135
4 Dados técnicos .....	135
5 Descrição.....	135
5.1 Modelos .....	136
6 Descrição dos produtos ATEX .....	136
6.1 Componentes principais .....	136
7 Função .....	137
8 Instalação .....	137
8.1 Instalação elétrica.....	137
8.2 Ligações .....	138
8.3 Instruções de utilização .....	138
8.4 Manutenção.....	139
8.5 Assistência e manutenção do equipamento ATEX .....	139
9 Acessórios .....	142
9.1 Peças de reposição .....	143
9.2 Reciclagem .....	143

# 1 Marcação do produto

As NFES Ø 450-710 (ver Descrição de produtos ATEX) 24V CA/CC não possuem classificação ATEX e estão apenas marcadas com a etiqueta CE.

As NFES Ø 450-710 115V CA 230V CA 24V CC são ATEX e estão marcados:

II 3D Ex h IIIC T85 °C Dc  
 0°C≤Ta≤40°C  
 Nordfab 19.HB06

Artigo	Explicação
II:	Grupo de equipamento (não para mineração)
h:	A letra "h" conforme especificado na norma EN ISO 80079-36.
IIIC:	<p>O equipamento do Grupo III destina-se a ser utilizado em locais com uma atmosfera de poeira explosiva que não sejam minas suscetíveis a grisu.</p> <p>O equipamento do Grupo III está subdividido de acordo com a natureza da atmosfera de poeiras explosivas para a qual se destina.</p> <p>Subdivisões do Grupo III:</p> <ul style="list-style-type: none"> <li>• IIIA: adequado para partículas em suspensão combustíveis;</li> <li>• IIIB: adequado para partículas em suspensão combustíveis e poeiras não condutoras;</li> <li>• IIIC: adequado para partículas em suspensão combustíveis poeira não condutora e poeira condutora.</li> </ul>
T85 °C	A temperatura máxima da superfície em graus Celsius.
Dc:	<p>Nível de proteção do equipamento Dc. Igual à marcação 3D antiga.</p> <p>Para atmosferas explosivas causadas por misturas de ar e poeiras combustíveis, o equipamento não contém quaisquer fontes de ignição eficazes em funcionamento normal e avarias esperadas.</p>
0 °C≤Ta≤40 °C	Intervalo de temperatura ambiente.

## Tipo de proteção de segurança construtiva “c”

A documentação técnica contém as informações necessárias para manter a segurança do produto.

# 2 Prefácio

Leia atentamente este manual antes de proceder à instalação e manutenção deste produto. Substitua imediatamente o manual em caso de perda. A Nordfab reserva-se o direito de modificar e melhorar os seus produtos sem aviso prévio, incluindo a sua documentação.

Este produto foi concebido para cumprir os requisitos das diretivas CE relevantes. Para manter este estado, toda a manutenção e reparação da instalação deve ser efetuada por pessoal qualificado, utilizando apenas peças de reposição e acessórios originais da Nordfab. Contacte o distribuidor autorizado mais próximo ou a Nordfab para obter aconselhamento sobre o serviço técnico e a obtenção de peças de reposição. Se existirem peças danificadas ou em falta quando o produto é entregue, notifique imediatamente a transportadora e o representante local da Nordfab.

### 3 Segurança

Este documento contém informações importantes que são apresentadas como aviso, cuidado ou nota. Veja os seguintes exemplos:



**AVISO! Risco de lesões corporais.**

Os avisos indicam um perigo potencial para a saúde e segurança dos trabalhadores e como este perigo pode ser evitado.



**CUIDADO! Risco de danos no equipamento.**

As indicações de cuidado indicam um perigo potencial para o produto, mas não para os trabalhadores, e como esse perigo pode ser evitado.



**NOTA!** As notas contêm outras informações que são importantes para os trabalhadores.

### 4 Dados técnicos

Tabela 4-1: Dimensões

Artigo	Dimensão
Pressão máxima	1 MPa (10 bar)
Pressão mínima (para um funcionamento seguro)	0 5 MPa (5 bar)
Pressão recomendada	0 6 - 0 7 MPa (6 - 7 bar)
Qualidade do ar	ISO 8573-1 categoria 5
Temperatura de funcionamento	0 – 40 °C
Calibre dos fios	mínimo 0 75 mm <sup>2</sup>
Tensões solenoide	115 V CA (+10% -15%) 230 V CA (+10% -15%) 24 V CC (+ -10%) ou 24 V CA/CC (não ATEX)
Frequência	50 / 60 Hz para CA
Tipo de equipamento	II 3D Ex h IIIC T85 °C Dc 0 °C ≤ Ta ≤ 40 °C

### 5 Descrição

A placa de regulação de economia de energia NFES é utilizada nas indústrias da madeira e do metal como placa de fechamento nos sistemas de escape quando algumas máquinas, locais de trabalho ou tubagens não estão a ser utilizados.

A placa de regulação de economia de energia SBAS é uma válvula de escape automática acionada por cilindros de ar comprimido de dupla ação. Diâmetro Ø450-710.

A placa de regulação de economia de energia é fabricada em chapa de aço galvanizado e está equipada com um dispositivo de junta especialmente concebido, que garante uma baixa fricção e ótima estanquicidade. A placa de regulação é ativada de forma eletrónica.

## 5.1 Modelos

Veja a figura 1

Espigão com borda enrolada QF/FB

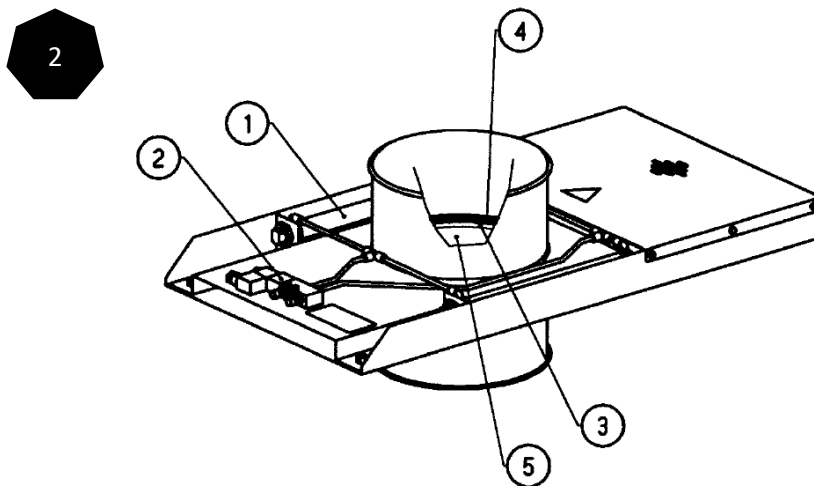
## 6 Descrição dos produtos ATEX

Se a placa de regulação for instalada e ligada corretamente de acordo com o manual, a placa de regulação não tem fonte de ignição e, por isso, pode ser instalada em todas as zonas ATEX interiores. Se pretender fazer a instalação dentro das zonas ATEX, os componentes elétricos devem ser marcados de acordo com a zona relevante.

### 6.1 Principais componentes

A figura 2 mostra uma NFES Ø 450-710

1. Cilindro de ar comprimido
2. Válvula magnética
3. Anel de gaxeta
4. Anel de borracha de esponja
5. Placa de regulação





## 7 Função

A NFES é uma válvula para abertura e fecho automático de uma saída de aspiração ligada a um sistema de aspiração central ou sobrepressão. Normalmente, as válvulas são automáticas e abrem e fecham de forma controlada através de um dispositivo de controlo. Consulte a figura 1 para ver exemplos de como a NFES pode ser utilizada.

## 8 Instalação

Coloque a válvula "em linha" no tubo de aspiração ou direcione para o equipamento que irá servir. Devem ser utilizadas mangas das juntas condutoras para a tubagem.



### **CUIDADO! Risco de danos no equipamento.**

A válvula não deve evitar a carga dos tubos de ligação ou de outras ligações que possam causar defeitos na válvula. Certifique-se de que as ligações estão firmemente instaladas contra a parede, o teto, chão ou semelhantes. As ligações dos tubos de borracha devem estar aliviadas.

As tubagens de ar comprimido têm de ser limpas por sopro antes da montagem da válvula. As novas tubagens de ar comprimido contêm sempre sujidade que pode provocar perturbações no funcionamento. Use proteção auditiva e óculos de segurança. Deve ser instalada uma armadilha de humidade e coletor de resíduos se o ar comprimido for de má qualidade. Não é necessário um dispositivo de lubrificação por névoa de óleo.

### 8.1 Instalação elétrica

Para garantir o funcionamento adequado e o nível de proteção necessário em relação à categoria do equipamento, certifique-se de que os seguintes pontos são verificados:

- A instalação elétrica e a ligação da válvula magnética devem ser efetuadas por um eletricista certificado. Um eletricista certificado também deve prestar atenção às condições para instalações em zonas classificadas de acordo com as diretivas ATEX.
- Verifique se foram tomadas as medidas adequadas para evitar todos os tipos de correntes de fuga elétricas para e/ou do sistema de tubagens e fiação elétrica. Tenha em atenção que a caixa NFES Ø 450-710 deve estar corretamente ligada à terra.
- As mangueiras ou tubos ligados devem ser condutores e estar ligados à terra.
- Verifique se a tensão correta está ligada ao solenoide da

válvula magnética. Verifique a marcação no solenoide.

- As opções elétricas como microinterruptores devem ser ligadas a um circuito seguro intrínseco (para opções instaladas em zonas com classificação ATEX).

## 8.2 Conexões



### **AVISO! Risco de lesões corporais.**

- A pressão máxima de ar recomendada é de 1 MPa (10 bar). Deve ser instalado um regulador de pressão se for provável que a pressão exceda a pressão máxima. A pressão de funcionamento recomendada é de 0,6-0,7 MPa (6-7 bar). A pressão mínima para uma função fiável é 0,5 MPa (5 bar).
- As mangueiras de ar comprimido têm de ser aprovadas para a pressão real e têm de estar bem fixas nos bicos da válvula. As abraçadeiras de mangueira devem estar corretamente encaixadas.

- A NFES Ø 450-710 não está equipada com o seu próprio dispositivo de controlo. Destina-se ao controlo direto com uma válvula piloto remota de 3 portas (opcional).
- NFES Ø 450-710 um dispositivo de controlo da válvula solenoide. A tensão do solenoide deve corresponder à tensão do sinal. A tensão padrão é 24 42 230 V CA e 24 V CC. A potência é de 5 VA ou 5 W.

## 8.3 Instruções de utilização



### **AVISO! Risco de lesões corporais.**

- Mantenha os dedos afastados das ligações de aspiração quando a válvula estiver ligada ao ar comprimido. A mola que fecha a válvula é suficientemente forte para causar inconveniência.
- Certifique-se de que o sistema não transporta material que possa danificar a válvula NFES Ø 450-710.
- Se um objeto inesperado entrar no sistema, feche imediatamente a alimentação de ar comprimido para a válvula e retire o objeto.
- A válvula não deve ser colocada em funcionamento até que a entrada e a saída da válvula estejam ligadas a tubos fixos ou mangueiras com pelo menos 1 metro de comprimento.

## 8.4 Manutenção

Para assistência e apoio técnico, contacte a Nordfab Europe A/S



### **AVISO! Risco de lesões corporais.**

- O trabalho de manutenção não pode ser iniciado até que o sistema total tenha sido parado de forma correta e até que a fonte de alimentação tenha sido cortada de forma segura, por exemplo, bloqueando o interruptor
- A inspeção da secção da tremonha do filtro abrindo as portas de inspeção não pode ser efetuada até que o sistema de limpeza do filtro tenha sido completamente ativado e a secção da tremonha tenha sido esvaziada de material. Nesta ligação, é necessário verificar se a limpeza foi adequada, examinando o assentamento de poeiras residuais nos sacos do filtro.
- A inspeção através da abertura de portas de inspeção e semelhantes apenas pode ser efetuada quando é utilizado equipamento de segurança pessoal, adaptado às condições.
- Se for utilizada uma escada móvel para o trabalho, esta deve ser corretamente fixada para garantir a estabilidade antes de iniciar o trabalho.
- Para evitar a geração de eletricidade estática no sistema de filtragem, é necessário garantir que o filtro e pó ligado e outros estão devidamente ligados à terra.
- Fogo aberto, faíscas ou qualquer outra forma de geração de calor, tal como: Soldar, retificar, perfurar/furar ou fumar, entre outras não pode ocorrer a uma distância inferior a 3 metros dos filtros, etc. a trabalhar com uma atmosfera explosiva, tal como ar carregado de pó.
- Deve garantir-se que a limpeza é efetuada nos filtros e à volta destes e assim por diante para evitar a ignição de resíduos de poeira explosivos, a ocorrência de incêndios e de danos graves.

## 8.5 Manutenção e reparação

A assistência e reparação apenas podem ser realizadas por pessoal com formação especializada. Antes de iniciar qualquer trabalho, o fornecimento de energia deve ser desligado no interruptor principal e deve garantir-se que não ocorre qualquer reinício não intencional, por

exemplo, bloqueando o interruptor principal. Antes do início dos trabalhos, a energia acumulada, por exemplo, no sistema de ar comprimido, também deve ser desligada e, possivelmente, descarregada.

Para trabalhos de manutenção e reparação, é necessário que exista ar carregado de pó, por exemplo, na secção da tremonha do filtro, devendo ser utilizado o seguinte equipamento de segurança:

1. Aparelho de proteção respiratória, possivelmente com fornecimento de ar fresco.
2. Óculos, possivelmente uma máscara de proteção em ligação com o suprimento de ar fresco.
3. Fato retardador de chamas.
4. Luvas de trabalho retardadoras de chamas.
5. Calçado de segurança.
6. Capacete de segurança.
7. Ferramentas antifaísca sempre que possível.

A inspeção dos sacos do filtro quando se está na parte superior do filtro após a abertura das portas à prova de explosão apenas pode ser realizada quando o sistema de filtragem estiver parado. Para este efeito, também deve ser utilizado o equipamento de segurança pessoal acima referido.

Se o filtro ou semelhante for limpo por um aspirador, deve ser criada proteção contra carga elétrica estática na disposição de aspiração.

A perfuração de orifícios na caixa do filtro ou de condutas de tubos adjacentes só pode ser efetuada quando o sistema tiver parado e sido limpo, tendo sempre muito cuidado e sem geração de calor.

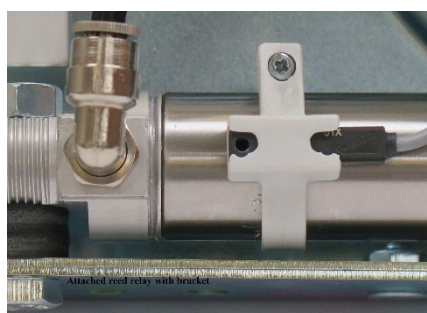
Se ocorrer(em) alguma(s) avaria(s) no sistema elétrico, parando o sistema e o reinício tiver sido desligado, o componente avariado pode não ser contornado para permitir uma nova operação. A resolução de problemas e as reparações adequadas devem ser realizadas antes do reinício.

A eliminação dos componentes substituídos, o pó/resíduos da limpeza, tal como outros resíduos, deve ser realizada de acordo com as diretrizes para os materiais específicos. Estas orientações foram normalmente definidas pelas autoridades locais. Em caso de dúvida, deve consultar a pessoa responsável pela segurança da empresa.

## 9 Acessórios

### Relés de lâminas em par e suportes

Número do artigo	Nome do artigo
8210002005	Relé do interruptor reed CST-220 Placa de regulação 10-110VDC/10-230VAC 0,25A 8W/10VA não Atex
8111404	Relé do interruptor reed CST-332 Ex Placa de regulação 10-110V DC/10-230V AC 0,25A 8W/10VA categoria II Zona 3G/D 2/22 -10 - +80 °C Atex



Visite a nossa página web [www.nordfab.com](http://www.nordfab.com) para obter a ficha de dados técnicos e as instruções de montagem

### Bobina

Número do artigo	Nome do artigo
8210001600	Bobina 230VAC G80-B-810
8210001601	Bobina 230VDC Zona Atex 22
8210001602	Bobina 24VDC EX II 3D
8210001604	Bobina 110VAC 7,5 W

## 9.1 Peças de reposição

**CUIDADO! Risco de danos no equipamento.**

Utilize apenas peças de reposição e acessórios originais da Nordfab.

Contacte o distribuidor autorizado mais próximo ou a Nordfab para obter aconselhamento sobre o serviço técnico ou se necessitar de ajuda com peças de reposição. Veja também [www.nederman.com](http://www.nederman.com).

**Encomenda de peças de reposição**

Ao encomendar peças de reposição, indique sempre o seguinte:

- Número de artigo e número de controlo (consulte a placa de identificação do produto).
- Detalhe do número e nome da peça de reposição (consulte [www.nordfab.com](http://www.nordfab.com)).
- Quantidade de peças necessárias.

## 9.2 Reciclagem

O produto foi concebido para que os materiais dos componentes sejam reciclados. Os seus diferentes tipos de materiais devem ser manuseados de acordo com os regulamentos locais relevantes. Contacte o distribuidor ou a Nordfab se surgirem dúvidas quanto à eliminação do produto no final da sua vida útil.

## Skjutspjäll

# NFES Ø 450-710

Version: 02:2022



### Originalbruksanvisning

EN USER MANUAL

### Översättning av originalbruksanvisning

CS NÁVOD K OBSLUZE  
DA BETJENINGSVEJLEDNING  
DE BEDIENUNGSANLEITUNG  
ES MANUAL DE INSTRUCCIONES  
FI KÄYTTÖOHJEET  
FR MANUEL D'INSTRUCTION  
IT MANUALE D'ISTRUZIONE  
NL HANDLEIDING  
NO BRUKSANVISNING  
PL INSTRUKCJA UŻYTKOWANIA  
PT MANUAL DE INSTRUÇÕES  
SV BRUKSANVISNING







## Svenska Bruksanvisning

### Innehållsförteckning

Försäkran om överensstämmelse	4-6
Bilder	7-8
1 Produktmärkning .....	146
2 Förord.....	146
3 Säkerhet .....	147
4 Tekniska data .....	147
5 Beskrivning.....	147
5.1 Modeller .....	148
6 Beskrivning av ATEX-produkter .....	148
6.1 Huvudkomponenter .....	148
7 Funktion .....	149
8 Installation .....	149
8.1 Elektrisk installation.....	149
8.2 Anslutningar.....	150
8.3 Bruksanvisning.....	150
8.4 Underhåll .....	151
8.5 Service och underhåll av ATEX-utrustning.....	151
9 Tillbehör .....	153
9.1 Reservdelar .....	154
9.2 Återvinning .....	154

# 1 Produktmärkning

NFES Ø 450-710 (se Beskrivning av ATEX-produkter) 24V AC/DC är inte ATEX-klassificerade och är endast märkta med CE-märkningen.

NFES Ø 450-710 115V AC 230V AC 24V DC är ATEX-klassificerade och märkta:

II 3D Ex h IIIC T85°C Dc  
 0°C≤Ta≤40°C  
 Nordfab 19.HB06

Del	Förklaring
II:	Utrustningsgrupp (ej gruvdrift)
h:	Bokstaven "h" enligt specifikation i EN ISO 80079-36.
IIIC:	<p>Utrustning i grupp III är avsedd för användning på platser med en atmosfär med explosivt damm annat än i gruvor där det finns risk för antändbara gaser.</p> <p>Utrustning i grupp III är uppdelad efter typ av atmosfär med explosivt damm som den är avsedd för.</p> <p>Grupp III underavdelningar:</p> <ul style="list-style-type: none"> <li>• IIIA: lämplig för antändbara partiklar;</li> <li>• IIIB: lämplig för antändbara partiklar och icke-ledande damm;</li> <li>• IIIC: lämplig för antändbara partiklar, icke-ledande damm och ledande damm.</li> </ul>
T85°C	Maximal yttemperatur i grader Celsius.
Dc:	<p>Utrustningsskydds nivå Dc. Samma som den gamla 3D-märkningen.</p> <p>För explosiva atmosfärer som orsakas av blandningar av luft och antändbart damm innehåller utrustningen inga effektiva antändningskällor vid normal drift och förväntade funktionsfel.</p>
0°C≤Ta≤40°C	Omgivningstemperatur.

## Typ av skydd konstruktionssäkerhet "c"

Den tekniska dokumentationen innehåller den information som krävs för att upprätthålla produktsäkerheten.

# 2 Förord

Läs denna bruksanvisning noggrant före installation och service av denna produkt. Ersätt handboken omedelbart om den går förlorad. Nordfab förbehåller sig rätten att utan föregående meddelande ändra och förbättra sina produkter, inklusive dokumentation.

Denna produkt är utformad för att uppfylla kraven i relevanta EU-direktiv. För att bibehålla denna status ska allt installationsunderhåll och alla reparationer utföras av kvalificerad personal som endast använder Nordfab originalreservdelar och tillbehör. Kontakta närmaste auktoriserade distributör eller Nordfab för råd om teknisk service och reservdelar. Om det finns några skadade eller saknade delar när produkten levereras ska transportföretaget och den lokala Nordfab-representanten omedelbart underrättas.

### 3 Säkerhet

Detta dokument innehåller viktig information som antingen presenteras som en varning eller anmärkning. Se följande exempel:



**WARNING! Risk för personskada.**

Varningar anger en potentiell fara för personalens hälsa och säkerhet och hur denna fara kan undvikas.



**FÖRSIKTIGHET! Risk för skada på utrustningen.**

Försiktighetsanmärkningar anger en potentiell fara för produkten men inte för personalen och hur denna fara kan undvikas.



**OBS!** Denna rubrik indikerar annan information som är viktig för personalen.

### 4 Tekniska data

Tabell 4-1: Mått

Artikel	Mått
Max. tryck:	1 MPa (10 bar)
Minimitryck (för säker drift)	0,5 MPa (5 bar)
Rekommenderat tryck	0,6 – 0,7 MPa (6 – 7 bar)
Luftkvalitet	ISO 8573-1 klass 5
Arbetstemperatur	0 – 40 °C
Kabeldiameter	minimum 0,75 mm <sup>2</sup>
Solenoidspänningar	115 V AC (+10 % -15 %) 230 V AC (+10 % -15 %) 24 V DC (+ -10 %) eller 24 V AC/DC (ej ATEX)
Frekvens	50/60 Hz för AC
Typ av utrustning	II 3D Ex h IIIC T85°C Dc 0°C≤Ta≤40°C

### 5 Beskrivning

Det energisparande spjället NFES används inom trä- och metallbearbetningsindustrin som avstängningsspjäll i utsugssystem när vissa maskiner, arbetsplatser eller rörledningar inte används.

Det energisparande spjället NFES är ett automatiskt spjäll som drivs av dubbelverkande tryckluftcylindrar. Diameter Ø450-710.

Det energisparande spjället är tillverkat av galvaniserad stålplåt och utrustat med en specialtillverkad packningsanordning som säkerställer låg friktion och optimal täthet. Spjället aktiveras elektroniskt.

## 5.1 Modeller

Se figur 1  
Stos med rullad kant QF/FB

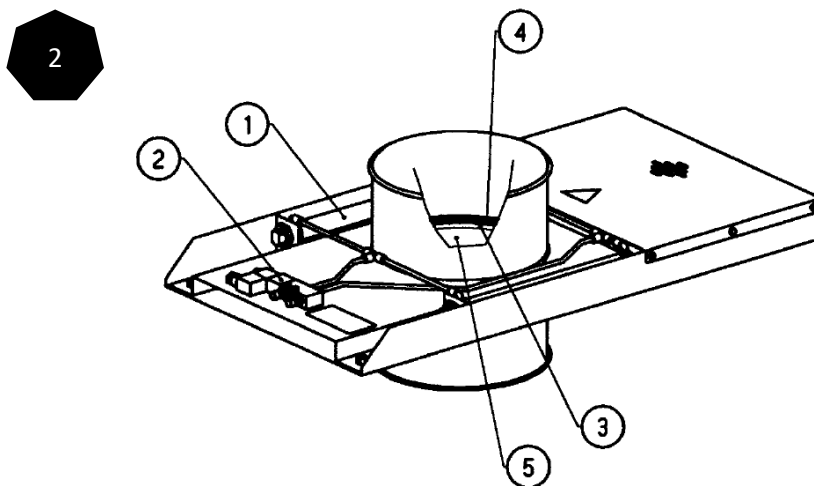
## 6 Beskrivning av ATEX-produkter

Om spjället installeras och ansluts korrekt enligt anvisningarna i handboken har spjället ingen antändningskälla och kan därför monteras i alla interna ATEX-zoner. Vid installation i ATEX-zoner måste the elektriska komponenterna märkas i enlighet med motsvarande zon.

### 6.1 Huvudkomponenter

Figur 2 visar en NFES Ø 450-710

1. Tryckluftcylinder
2. Magnetventil
3. Packningsring
4. Skumgummiring
5. Skjutspjäll



## 7 Funktion

NFES är en ventil för automatisk öppning och stängning av ett vakuumutlopp kopplat till ett centralt vakuumsystem eller övertryckssystem. Ventilerna är normalt automatiska – de öppnas och stängs via en styrenhet. Se figur 1 för exempel på hur NFES kan användas.

## 8 Installation

Montera ventilen ”in line” i vakuumröret eller direkt på den utrustningen som ska använda den. Ledande skarvhylsor för rörsystem ska användas.



### **FÖRSIKTIGHET! Risk för skada på utrustningen.**

Ventilen får inte belastas med anslutningsrör eller andra anslutningar som kan orsaka defekter på ventilen. Säkerställ att anslutningarna är ordentligt monterade mot vägg, tak, golv eller liknande. Slanganslutningar måste dragavlastas.

Tryckluftsledningarna måste blåsas rena innan ventilen monteras. Nya tryckluftsledningar innehåller alltid smuts som kan orsaka driftstörningar. Använd hörselskydd och skyddsglasögon. Vid dålig kvalitet på tryckluften ska fukt- och smutsfälla installeras. Någon oljedimsmörjningsenhet behövs inte.

### 8.1 Elektrisk installation

Säkerställ följande punkter för att säkerställa korrekt funktion och nödvändig skyddsnivå för utrustningskategorin:

- Elektrisk installation och anslutning av magnetventilen måste utföras av en behörig elektriker. En behörig elektriker måste också vara uppmärksam på förhållandena för installationer i zoner som klassificeras enligt ATEX.
- Kontrollera att lämpliga åtgärder har vidtagits för att undvika alla typer av elektrisk läckström till och/eller från rörsystemet och elledningar. Observera att huset på NFES Ø 450-710 måste vara korrekt jordat.
- Anslutna slangar eller rör måste vara ledande och jordade.
- Kontrollera att rätt spänning är ansluten till solenoiden på magnetventilen. Kontrollera märkningen på solenoiden.
- Elektriska tillval som mikrobrytare måste anslutas till en egensäker krets (för tillval som installeras i ATEX-klassade zoner).

## 8.2 Anslutning



### **WARNING! Risk för personskada.**

- Maximalt rekommenderat lufttryck är 1 MPa (10 bar). En tryckregulator måste installeras om trycket sannolikt kommer att överskrida det maximala trycket. Rekommenderat arbetstryck är 0,6-0,7 MPa (6-7 bar). Min. tryck för tillförlitlig funktion är 0,5 MPa (5 bar).
- Tryckluftsslangar måste vara godkända för aktuellt tryck och måste vara ordentligt fastsatta på ventilnipplarna. Slangklämmor måste monteras korrekt.
- Ventilen är konstruerad för vakuum, dvs. den ska endast installeras i

- NFES Ø 450-710 är inte utrustad med en egen styrenhet. Den är avsedd för direktstyrning med en fristående 3-portars pilotventil (tillval).
- NFES Ø 450-710 har en styrenhet för magnetventilen. Solenoidspänningen måste stämma överens med signalspänningen. Standardspänningen är 24 42 230 V AC och 24 V DC. Effekten är 5 VA eller 5 W.

## 8.3 Bruksanvisning



### **WARNING! Risk för personskada.**

- Håll undan fingrarna från vakuumanslutningarna när ventilen är ansluten till tryckluft. Fjädern som stänger ventilen är tillräckligt stark för att orsaka obehag.
- Säkerställ att systemet inte transporterar material som kan skada NFES Ø 450-710-ventilen.
- Om ett oväntat föremål kommer in i systemet ska du omedelbart stänga tryckluftsförsörjningen till ventilen och avlägsna föremålet.
- Ventilen får inte tas i drift förrän ventilens in- och utlopp är anslutna till fasta rör eller slangar som är minst 1 meter långa.

## 8.4 Underhåll

För service och teknisk support kontakta Nordfab Europe A/S



### **WARNING! Risk för personskada.**

- Underhållsarbete får inte påbörjas förrän hela systemet har stoppats på ett korrekt sätt och strömförsörjningen har brutits på ett säkert sätt, till exempel genom att låsa huvudströmbrytaren.
- Inspektion av filtertrattsektionen genom att öppna inspektionsluckorna får inte utföras förrän filterrengöringssystemet har aktiverats ordentligt och behållarsektionen tömts på material. I detta sammanhang måste man kontrollera om rengöringen har varit tillräcklig genom att undersöka den kvarvarande dammbeläggningen på filterpåsar.
- Inspektion genom öppning av inspektionsluckor och liknande får endast utföras när personlig skyddsutrustning som är anpassad till förhållandena används.
- Om en flyttbar stege används för arbetet måste den säkras korrekt för stabilitet innan arbetet påbörjas.
- För att förhindra att statisk elektricitet genereras i filtersystemet måste det säkerställas att filtret, det anslutna rör osv. är korrekt jordade.
- Öppen eld, gnistbildning eller någon annan form av värmealstring såsom: svetsning, slipning, borring eller rökning osv. får ej ske närmare än 3 meter från filter osv. vid arbete i explosiv atmosfär, som t.ex. dammfylld luft.
- Det måste säkerställas att rengöring utförs på och runt filter osv. för att förhindra att brand och explosivt damm antänds och orsakar allvarliga skador.

## 8.5 Service och reparation

Service och reparation får endast utföras av specialutbildad personal. Innan något arbete påbörjas måste strömförsörjningen stängas av med huvudströmbrytaren och det måste säkerställas att oavsiktlig omstart inte kan inträffa, till exempel genom att låsa huvudströmbrytaren. Ackumulerad energi, t.ex. i tryckluftssystem, måste också stängas av och eventuellt laddas ur helt innan arbetet påbörjas.

Vid service- och reparationsarbete där det är nödvändigt att befinna sig i dammfyllt luft, till exempel i filterbehållarsektionen, måste följande säkerhetsutrustning användas:

1. Andningsskydd, eventuellt med friskluftsförsörjning.
2. Skyddsglasögon, eventuellt visir i samband med friskluftsförsörjning.
3. Brandskyddsdräkt.
4. Brandskyddshandskar.
5. Skyddsskor.
6. Skyddshjälm.
7. Gnistfria verktyg där det är möjligt.

Inspektion av filterpåsarna när man befinner sig på ovanpå filtret efter att explosionsavlastningsluckorna har öppnats får endast utföras när filtersystemet har stoppats. För detta ändamål måste även den personliga skyddsutrustningen som nämns ovan användas.

Om filtret eller liknande rengörs med dammsugare måste skydd mot statisk elektrisk laddning i suganordningen anordnas.

Borring av hål i filterhus eller angränsande rör får endast utföras när systemet har stoppats och rengjorts, med stor försiktighet och utan värmealstring.

Om något fel skulle inträffa i elsystemet, om systemet stoppas och omstarten kopplas från, kan den felaktiga komponenten inte förbikopplas för möjliggöra fortsatt drift. Lämplig felsökning och reparation måste utföras före omstart.

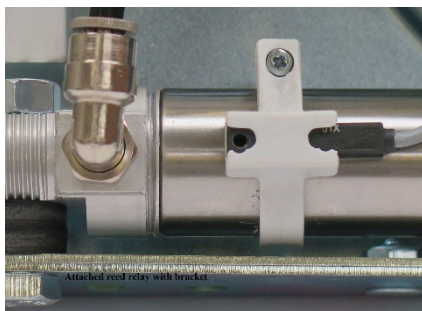
Kassering av utbytta komponenter, damm/avfall från rengöring, samt annat avfall, måste ske i enlighet med riktlinjerna för de specifika materialen. Dessa riktlinjer fastställs normalt av de lokala myndigheterna. I tveksamma fall måste den person som ansvarar för företagets säkerhet rådfrågas.



## 9 Tillbehör

### Tungreläer i par och fästen

Artikelnummer	Artikelbenämning
8210002005	Relä för tungomkopplare CST-220 spjäll 10-110VDC/10-230VAC 0,25A 8W/10VA ej Atex
8111404	Relä för tungomkopplare CST-332 Ex spjäll 10-110V DC/10-230V AC 0,25A 8W/10VA klass II 3G/D Zon 2/22 -10 - +80°C Atex



Besök vår webbplats [www.nordfab.com](http://www.nordfab.com) för tekniska datablad och monteringsanvisningar

### Spole

Artikelnummer	Artikelbenämning
8210001600	Spole 230VAC G80-B-810
8210001601	Spole 230VDC Atex-zon 22
8210001602	Spole 24VDC EX II 3D
8210001604	Spole 110VAC 7,5W

## 9.1 Reservdelar

**FÖRSIKTIGHET! Risk för skada på utrustningen.**

Använd endast originalreservdelar och tillbehör från Nordfab.

Kontakta din närmaste auktoriserade återförsäljare eller Nordfab för råd om teknisk service eller om du behöver hjälp med reservdelar. Se även [www.nederman.com](http://www.nederman.com).

**Beställning av reservdelar**

Ange alltid följande vid beställning av reservdelar:

- Artikelnummer och kontrollnummer (se produktens identifieringsskylt).
- Detaljnummer och namn på reservdelen (se [www.nordfab.com](http://www.nordfab.com)).
- Antal artikel som krävs.

## 9.2 Återvinning

Produkten har utformats för att komponentmaterial ska kunna återvinnas. De olika materialtyperna måste hanteras i enlighet med gällande lokala föreskrifter. Kontakta återförsäljaren eller Nordfab om osäkerhet uppstår vid kassering av produkten vid slutet av dess livscykel.