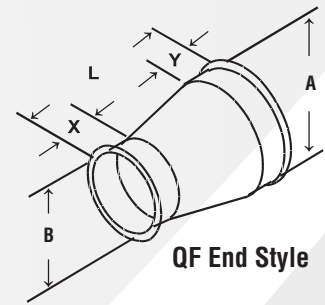
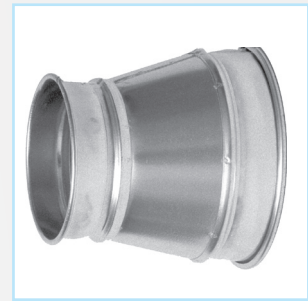


Reducer

Ordering Information

- When ordering, specify material, gauge (if non-standard), A,B dimensions and end styles.
- B end can be as small as 1".
- 14 Gauge Reducers:** Any Reducer with B end smaller than 8" will be hybrid. Smaller section will be a lighter gauge.



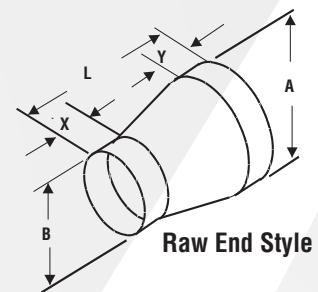
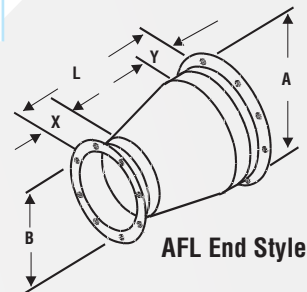
Construction

Seam: longitudinal seam is lapped, spot welded, and caulked.

Collars: located on the exterior side of each port and considered as air flow non-directional. Collars have a laser welded longitudinal seam. If air flow directional product is required, it must be stated on the PO and additional cost may be incurred. A raised lap seam and spot weld are used for attaching the collar to the body and no caulking is used. If caulking is required, additional cost may be incurred.

Optional End Styles

Standard QF end can be changed to Raw ID (RI), Raw OD (RO), No Fitting (NF), Hose Adapter (RF) only on sizes 3" and above, Flat Flange (FFL), Angle Flange (AFL), or Van Stone (VS). Any combination of these end styles are available upon request.



QF Material Options

		Galv			SS		
		Size (inches)			Size (inches)		
		Gauges	Min. Ø	Max. Ø	Gauges	Min. Ø	Max. Ø
Standard	22	3	12	Standard	22	3	12
	20	13	24		20	13	24
Optional	18	4	24	Optional	18	8	24
	16	8	24		16	8	24
	14	8	24				

Flanged Material Options

		Galv			SS			
		Size (inches)			Size (inches)			
		Gauges	Min. Ø	Max. Ø	Gauges	Min. Ø	Max. Ø	
Standard	22	3	12	Standard	22	3	12	
	20	13	24		20	13	24	
	18	26	30		18	26	30	
	16	32	40		16	32	40	
	14	42	50		Optional	20	4	12
	12	52	72			18	4	24
Optional	20	4	12	Optional	16	8	30	
	18	4	24					
	16	8	30					
	14	8	50					
	12	10	72					
	10	12	72					

AØ in.	Length in.	Weight Lbs
3		1.00
4		1.25
5		1.50
6		1.75
7		2.00
8		2.25
9		2.50
10		3.00
11		3.50
12		3.75
13		4.00
14		4.50
15		6.00
16		7.00
17		10.25
18		21.00
19		25.00
20		30.00
21		35.00
22		39.50
23		47.00
24		53.50

A-B Δ	Formula
1-6	A-B+6
7-12	A-B+8
13+	A-B+10

Ex: A=8" B=6" Reducer, A-B=2, therefore Δ=2, so you will use the first formula since the difference is between 1-6 A-B+6=8" Length

A-B Δ	Formula
1-6	A-B+7
7-12	A-B+9
13+	A-B+11

Ex: A=36" B=28" Reducer, A-B=8, therefore Δ=8, so you will use the second formula since the difference is between 7-12 A-B+9=17" Length

Describe your Reducer requirements										
Qty	Material	A	End Style	B	End Style	L	X STD-2"	Y STD-2"	Flange Dwg	Notes