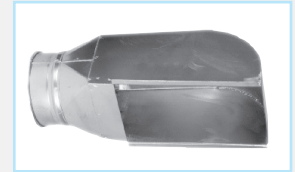


Radial Arm Saw Hood

Ordering Information

- When ordering, specify material and size.
- Used to collect dust from Radial Arm Saws.
- Body is 18 gauge. Collar and transition are 22 gauge.



Ø in.	L in.	Std Weight Lbs
4	15.5	3.50
5	20	3.90
6	29	4.20

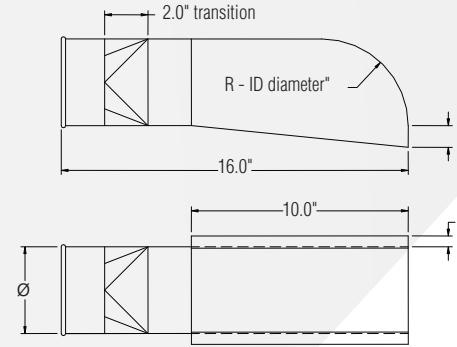
QF Material Options

Galv				SS			
Gauges		Size (in)		Gauges		Size (in)	
		Min. Ø	Max. Ø			Min. Ø	Max. Ø
Standard	Collar*	4	6	Standard	Collar*	4	6
	22				22		
	Body				Body		
	18				18		

Flanged Material Options

Galv				SS			
Gauges		Size (in)		Gauges		Size (in)	
		Min. Ø	Max. Ø			Min. Ø	Max. Ø
Standard	Collar*	4	6	Standard	Collar*	4	6
	22				22		
	Body				Body		
	18				18		

* Collar and transition



Construction:

Seam: spot welded and caulked.

Collars: have a laser welded longitudinal seam. Collars are attached to the body using a raised hemmed, spot welded seamed construction and are painted at welds.

Optional End Styles

Standard QF end can be changed to Raw ID (RI), Raw OD (RO), No Fitting (NF), Flat Flange (FFL), Angle Flange (AFL), or Van Stone (VS).