

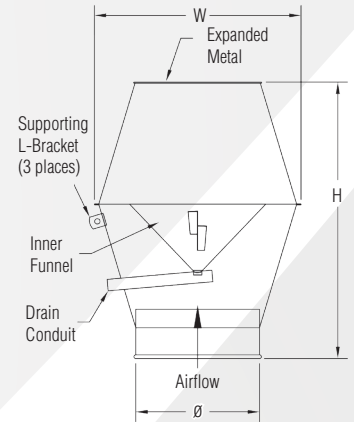
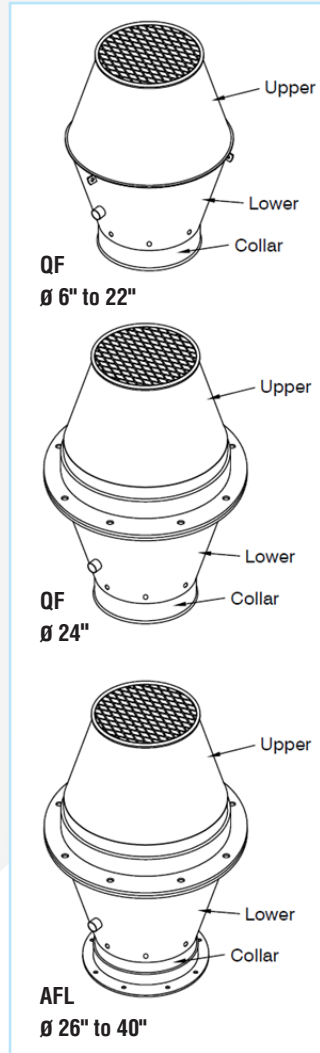
# Jet Cap

## Ordering Information

- When ordering, specify material, dimension and end style.
- Prevents rain from entering ducting. Inner funnel allows rain to drain from ductwork even when system not running.
- Has three angle brackets for guide wire attachment.
- Installs in seconds with standard QF Clamp.



Ø in.	Width in.	Height in.	Std Weight Lbs	Material Gauges Galvanized and 304SS QF and Flanged		
				Upper	Lower	Collar
6	10.12	14.69	14.00	22	22	22
8	13.25	18.69	33.00	22	22	22
10	16.50	22.69	51.00	22	22	22
12	20.00	27.15	59.00	22	16	22
13	21.50	30.19	63.00	20	16	20
14	23.12	32.86	70.00	20	16	20
15	24.50	34.19	79.00	20	16	20
16	26.50	36.48	84.00	20	16	20
17	27.70	37.99	90.00	20	16	20
18	29.50	39.99	98.00	20	16	20
20	32.50	44.29	111.00	18	16	20
22	35.40	47.69	118.00	16	16	20
24	41.00	55.94	187.00	16	14	14
26	46.00	60.44	219.00	16	14	14
28	49.00	64.59	242.00	16	14	14
30	52.00	68.34	264.00	16	12	12
32	55.00	72.60	279.00	16	12	12
34	58.00	76.59	296.00	16	12	12
36	62.00	81.59	314.00	16	12	12
38	65.00	85.59	330.00	16	12	12
40	68.00	88.89	353.00	16	12	12



### Construction

**Top screen:** expanded metal, 3/4" diamond pattern Koga painted black metal.

**Collars:** Collars have a laser welded longitudinal seam.

### Drain conduit:

3/4" dia. used for 6" - 14" diameters  
 1-1/2" dia. used for 15" - 24" diameters  
 2" dia. used for 26" and larger diameters

**Optional End Styles:** Standard QF end can be changed to Raw ID (RI), Raw OD (RO), No Fitting (NF), Hose Adapter (RF), Flat Flange (FFL), Angle Flange (AFL), or Van Stone (VS).