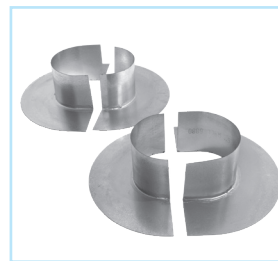


QF Wall Flashing

Ordering Information

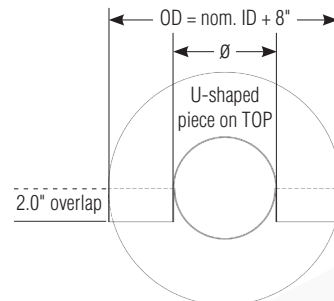
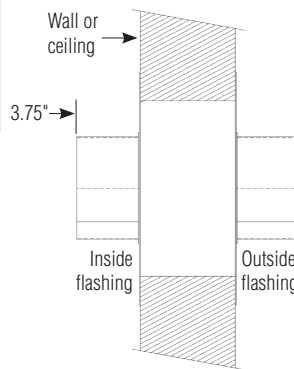
- When ordering, specify material and size.
- Provides cover for wall penetration.
- Ordering one Flashing provides you with both one inside and one outside flashing (4 halves).
- Flashing can be ordered with Raw collar with or without lip.



Ø in.	Weight Lbs
3	0.45
4	0.62
5	0.84
6	1.12
7	1.35
8	1.63
9	1.94
10	2.26
11	2.47
12	2.97
13	3.30
14	4.41
15	5.10
16	5.60
17	6.10
18	6.74
19	7.25
20	7.68
21	8.13
22	8.94
23	9.20
24	11.25

Material Options

Galv				SS			
Gauges	Size (in)		Gauges	Size (in)			
	Min. Ø	Max. Ø		Min. Ø	Max. Ø		
20	4	24	20	4	24		



Construction:
Seam: Spot welded and caulked.

QF Roof Flashing

Ordering Information

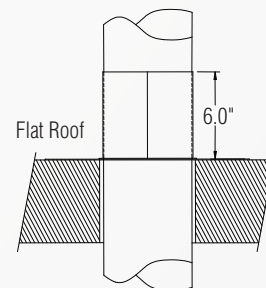
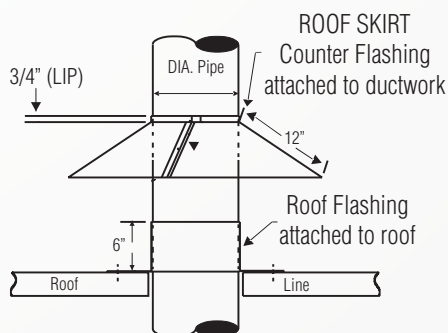
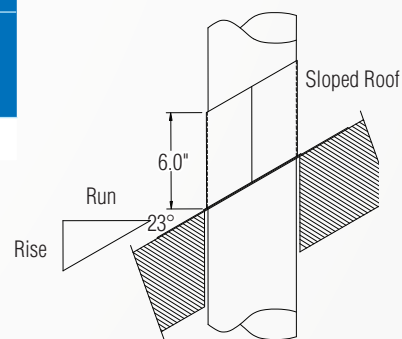
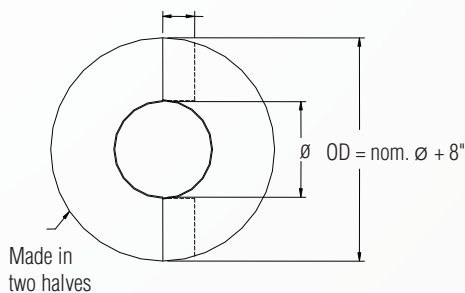
- When ordering, specify material and size.
- Provides cover for roof penetration.
- Made in two halves and caulked.
- 23° roof slope maximum.



Ø in.	Weight Lbs
3	0.45
4	0.62
5	0.84
6	1.12
7	1.35
8	1.63
9	1.94
10	2.26
11	2.47
12	2.97
13	3.30
14	4.41
15	5.10
16	5.60
17	6.10
18	6.74
19	7.25
20	7.68
21	8.13
22	8.94
23	9.20
24	11.25

Material Options

Galv				SS			
Gauges	Size (in)		Gauges	Size (in)			
	Min. Ø	Max. Ø		Min. Ø	Max. Ø		
20	4	24	20	4	24		



Construction:
Seam: Spot welded and caulked.