

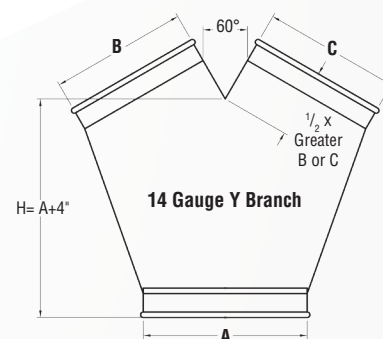
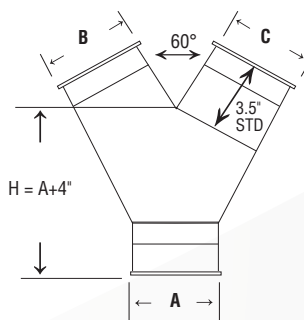
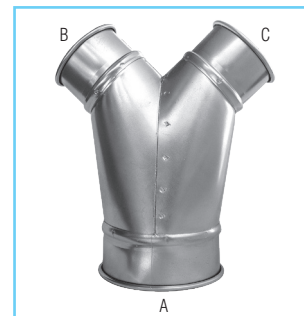
# Y Branch

## Ordering Information

- When ordering, specify material, gauge (if non-standard), dimensions A, B, C, end styles, and angle (standard 60°, optional 90°).
- A - C ≥ C-B
- Use formula above to determine if reducer is needed at C.
- Both B & C each must be at least 50% of A, with B or C being at least 75% of the opposite leg.
- Flange Leg: Length = 4.5"  
Height = A + 4"

### 14 Gauge Y Branches:

- Any Branch with B, or C end smaller than 8" will be hybrid. (Smaller section will be a lighter gauge.)



Please note that Nordfab Branch End Labels (ABC) designations shown here are in effect as of September 30, 2019.

### Construction

**Seam:** Longitudinal seam is lapped, spot welded, and caulked on standard gauges. 14ga and 12ga - Solid butt welds.

**Collars:** Located on the exterior side of each port and considered as air flow non-directional. Collars have a laser welded longitudinal seam. If airflow directional product is required, it must be stated on the PO and additional cost may be incurred. A raised lap seam and spot weld are used for attaching the collar to the body and no caulking is used. If caulking is required, additional cost may be incurred. 14ga and 12ga - Collars have a plasma welded longitudinal seam.

### Optional End Styles

Standard QF end can be changed to Raw ID (RI), Raw OD (RO), No Fitting (NF), Hose Adapter (RF), Flat Flange (FFL), Angle Flange (AFL), or Van Stone (VS).

## QF Material Options

Galv				SS			
		Size (inches)				Size (inches)	
	Gauges	Min. Ø	Max. Ø		Gauges	Min. Ø	Max. Ø
Standard	22	3	12	Standard	22	3	12
	20	13	24		20	13	24
Optional	16	8	24	Optional	18	26	24
	14	8	24		16	8	24

## Flanged Material Options

Galv (Std)				SS				
		Size (inches)				Size (inches)		
	Gauges	Min. Ø	Max. Ø		Gauges	Min. Ø	Max. Ø	
Standard	22	3	15	Standard	22	3	15	
	20	16	40		20	16	40	
Optional	18	26	40	Optional	18	26	40	
	16	8	40		16	8	40	
	14	8	50					
	12	10	72					
	10	12	72					

A Ø in.	Length in.	Weight Lbs
3		1.50
4		1.75
5	QF or Raw ends:	2.00
6	To manufacture,	2.75
7	B and C must be 50% or	3.25
8	greater of A;	4.50
9	B and C must be within	5.25
10	75% of each other.	6.75
11	Example: if B=12", then	8.00
12	C must be at least 9" or	10.25
13	greater.	12.50
14	Length =	14.00
15	A + 4"	15.75
16	<b>14ga</b> QF or Raw ends:	17.00
17	To manufacture,	18.50
18	B and C must be 50% or	20.00
19	greater of A;	24.50
20	B and C must be within	29.00
21	80% of	36.00
22	each other.	39.50
23	Example: if B=12", then	47.00
24	C must be at least 10" or	53.50
25	greater.	58.00
26	Length =	69.00
27	A + 4"	78.00
28		93.00
29		107.00
30	Angle Flange or	112.05
31	Flat Flange ends:	115.00
32	Flanged ends:	120.94
33	B or C ports leg length is	124.00
34	4.5" min.	129.83
35	<b>14ga</b> or <b>12ga</b> with	133.00
36	Flanged ends:	137.78
37	B or D ports leg length is	143.00
38	1/2 greater of B or D	148.47
39		152.00
40		157.81