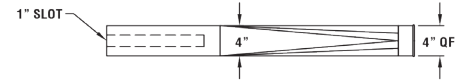
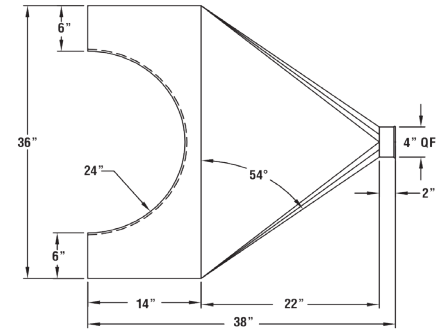
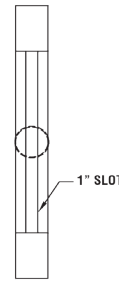
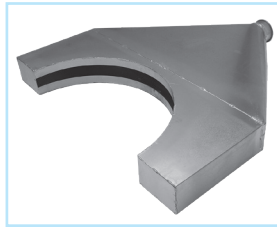


Barrel Hood

Ordering Information

- When ordering, specify material, size, and end style.
- Designed to fit 55 gallon drums.



Ø in.	Std Weight Lbs
4	14.5
6	14.5
8	14.5

QF Material Options

Galv				SS			
Gauges		Size (in)		Gauges		Size (in)	
		Min. Ø	Max. Ø			Min. Ø	Max. Ø
Std	18	4	8	Std	18	4	8

Construction:

Seams: lapped, spot welded, and caulked.

Optional End Styles

Standard QF end can be changed to Raw ID (RI), Raw OD (RO), No Fitting (NF), Flat Flange (FFL), Angle Flange (AFL), or Van Stone (VS).

Flanged Material Options

Galv				SS			
Gauges		Size (in)		Gauges		Size (in)	
		Min. Ø	Max. Ø			Min. Ø	Max. Ø
Std	18	4	8	Std	18	4	8