



# QUICK-FIT



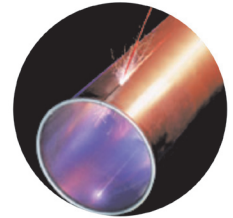
## THE WORLD'S FASTEST DUCTING

### Q-F puts the squeeze on costly conventional duct installation.

Q-F is a snap! No complicated cutting, no riveting, no braising or welding are required. One Q-F clamp connects sections together in seconds. Branches, diverters, elbows - all adapt easily to your existing duct and may be taken apart and re-used or cleaned without special tools.

### Q-F is easy to install, easy to align, and it's strong!

Q-F clamps are so easy to install, they almost install themselves. Simply place the clamp over the Q-F rolled lip ends and snap! The extraordinary strength of Q-F's specially machined double rolled lips provides a solid, straight run. The patented Q-F clamp connects the rolled ends. Snap the Q-F clamp and you have the strongest, safest, most re-usable dust-extraction piping available today. No special instructions or skills are needed to assemble a Q-F system. Install new lines, clean out lines or make changes to existing duct runs anytime you need to with Q-F.



LASER WELDED SEAM

### Q-F adapts to your every need; connect to the old or bring in the new.

Q-F has everything you need in galvanized or stainless steel parts:

- \* **LASER WELDED** pipe in diameters from 3" to 24"
- \* Branch fittings in all sizes and shapes
- \* Elbows 30°, 45°, 60°, 90°
- \* Larger custom sizes and special adapters
- \* Blast Gates, Diverter Valves, Hoods, Manifolds.

### Q-F adjusts to fit - without complicated measurements.

Planning to add, remove, or replace dust-extraction piping? Q-F's adjustable fittings slide together to create the precise length. No need for time wasted on exact measuring and precision cuts. Simply slide on and fit to your desired length, a few inches or a few feet. Need a different length for a new run? Just re-use your Q-F components and re-fit, again reducing your cutting and fabricating time.

### Q-F saves you time and money.

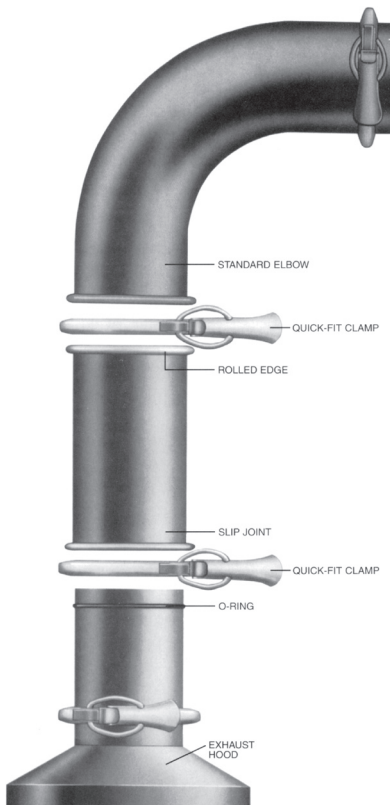
Just how much money can you save using Q-F? Call us! You will be pleased with the savings and all the built-in advantages you get with Q-F.

Whether you need just a few parts, or help with a complete system, Q-F has 4 to 5 day lead time.

Call for a free sample.

Tom Ballus, Division Manager

150 Transit Ave/ PO Box 190  
Thomasville, NC 27361-0190  
Toll Free: 800-532-0830  
Fax: 336-889-7873  
[www.nordfab.com](http://www.nordfab.com)

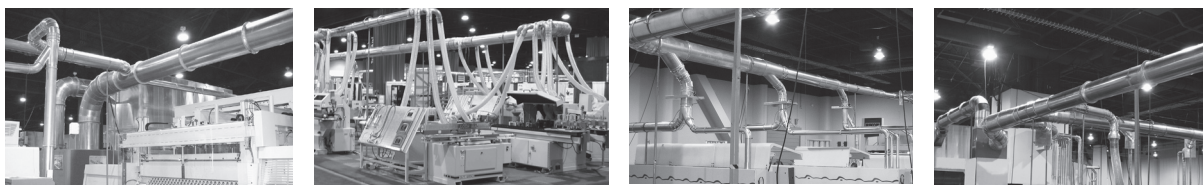




# QUICK-FIT



***THE WORLD'S FASTEST DUCTING***



**QUICK-FIT FAST FAX TO: 336-889-7873**

- YES! PLEASE SEND ME A CATALOG ON QUICK-FIT
- RUSH! I HAVE A CURRENT PROJECT THAT REQUIRES QUICK-FIT DUCT
- I HAVE A FUTURE PROJECT AND NEED MORE INFORMATION

NAME: \_\_\_\_\_ COMPANY: \_\_\_\_\_

ADDRESS: \_\_\_\_\_ CITY: \_\_\_\_\_ ST: \_\_\_\_\_ ZIP: \_\_\_\_\_

PHONE: \_\_\_\_\_ FAX: \_\_\_\_\_ EMAIL: \_\_\_\_\_

CURRENT NEED: \_\_\_\_\_

DATE NEEDED: \_\_\_\_\_



**Tom Ballus, Division Manager**

150 Transit Ave/ PO Box 190  
Thomasville, NC 27361-0190  
Toll Free: 800-532-0830  
Fax: 336-889-7873  
[www.nordfab.com](http://www.nordfab.com)