

Nordfab Rotary Valves

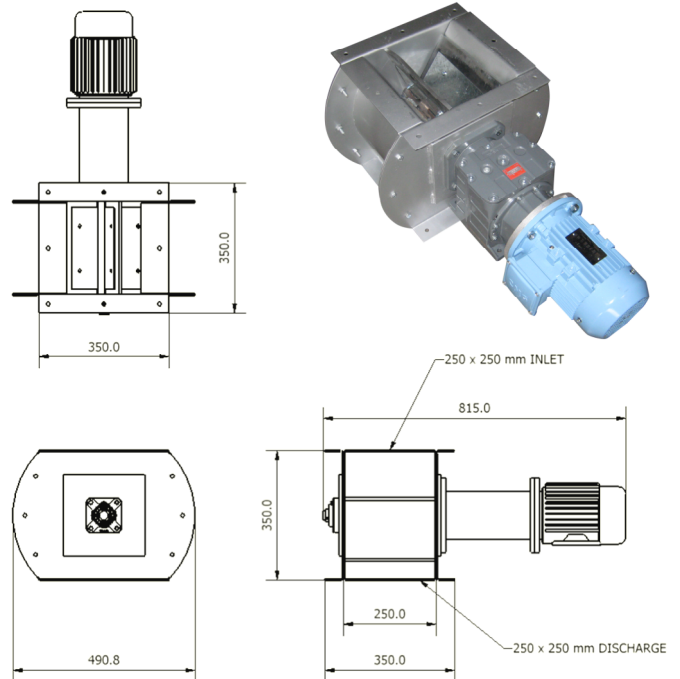
Nordfab Rotary Valve 250 x 250

Description

The Nordfab Rotary Valve series has flexible rubber tips to permit free movement of the impeller whilst maintaining an airtight seal.

Operating Principle

Product is fed through the circular inlet opening and is moved through an airlock by a rotating impeller, and discharged on the opposite side.



Specifications

Model	RV250
Power	0.75 kW
Capacity	6 m ³ /h
Drive	Direct
Speed	16 rpm
Phase	3
Voltage	415 V
Current	2 A